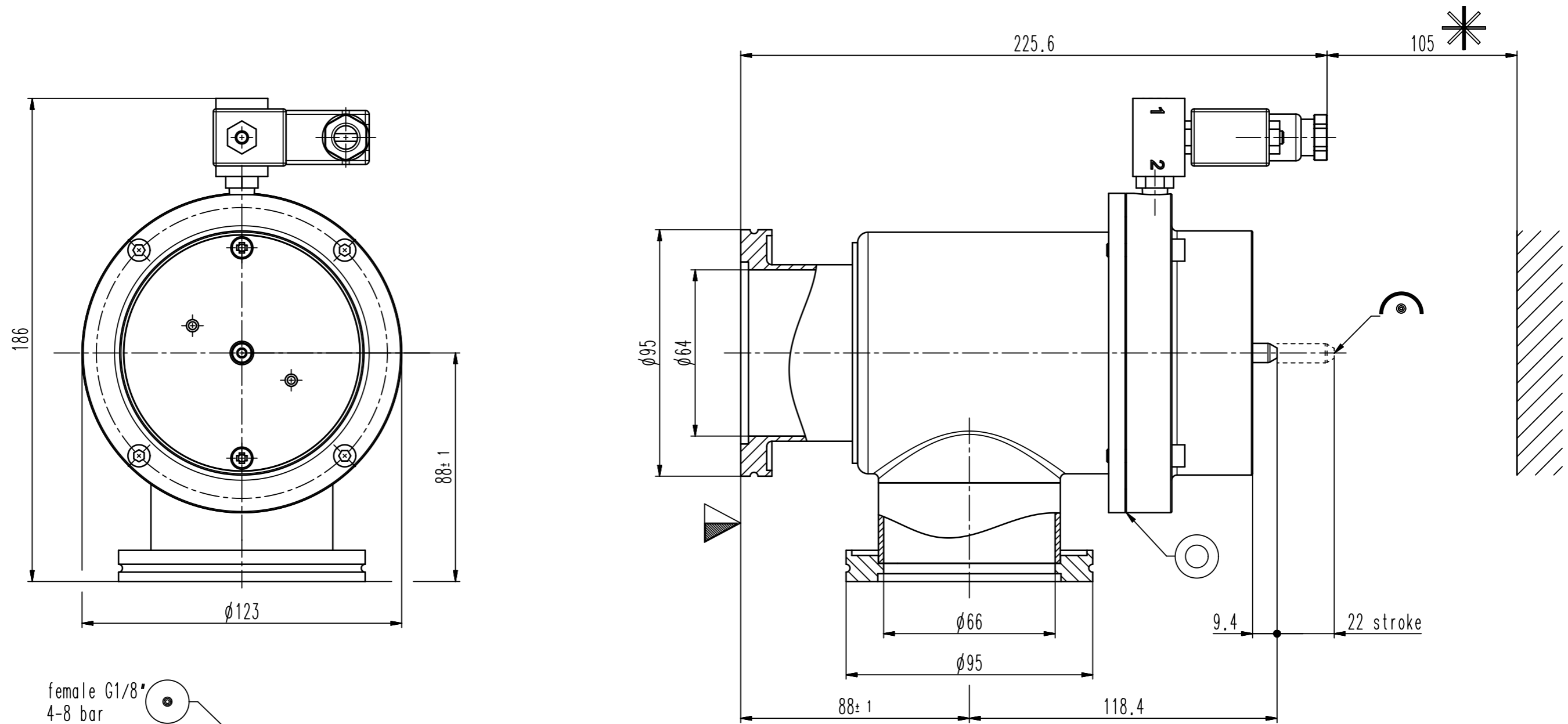


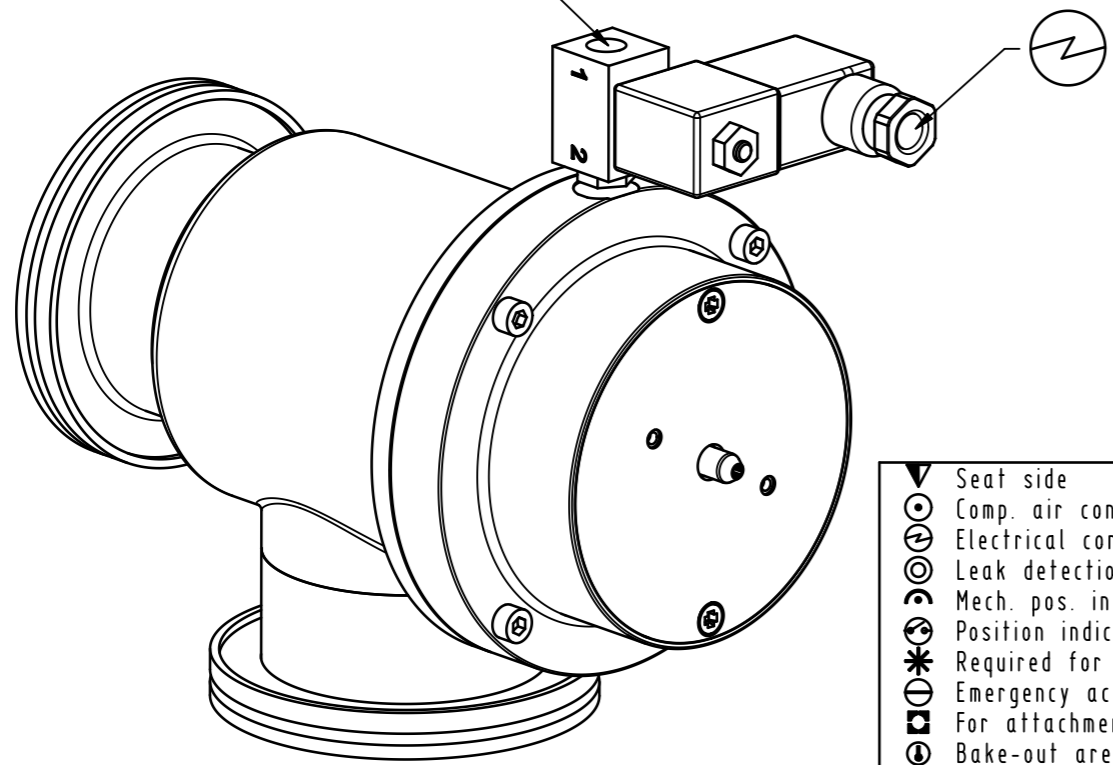
This drawing is the property of VAT.

Revision

Customer number



female G1/8"
4-8 bar



- ▼ Seat side
- ⊙ Comp. air connection
- ⊙ Electrical connection
- ⊙ Leak detection port
- ⊙ Mech. pos. indication
- ⊙ Position indicator
- ⊙ Required for dismantling
- ⊙ Emergency actuation
- ⊙ For attachment
- ⊙ Bake-out area
- ⊙ Differential pumping port

Vacuum angle valve



VAT Vakuumentile AG
 CH-9469 Haag, Switzerland
 Tel ++41 81 7716161 Fax ++41 81 7714830

Rev.-Date: 14.01.15
 Visa: WARO

Series	244	Ordering No.	24436-QE31-0003
Projection E	DN	Flange	ISO-K
	63		
Dimensional Drawing	703991	Rev.	A