



VAT Vakuumventile AG
CH-9469 Haag, Schweiz

Product data sheet No. 260352EB

Vacuum Angle Valve, Series 244, DN 80 (ID 3 ")

Ordering No. 24438-QA41

Description

Flanges	ISO-K80
Actuator	- pneumatic, single acting with closing spring - with solenoid - with position indicator "open" and "closed"
Feedthrough	shaft feedthrough

Technical data

Leak rate	- body & valve seat	$< 1 \cdot 10^{-9}$ mbar ls ⁻¹
Molecular flow conductance		200 ls ⁻¹
Pressure range		$1 \cdot 10^{-7}$ mbar to 4 bar, abs
Differential pressure on the plate:		
- in opening direction		$\leq 1,2$ bar
- in closing direction		≤ 4 bar
Differential pressure at opening:		
- in opening direction		≤ 1 bar
- in closing direction		≤ 1 bar
Closing time		$\leq 0,7$ sec.
Admissible temperature:		
- valve body, actuator		0°C - 120°C
- solenoid		0°C - 80°C
- position indicator		0°C - 80°C
Cycles until first service		3 million (T _{max} 80°C, differential pressure max. 1 bar)
Material:		24438-QA41
- valve body		Aluminum (EN AC-42000)
- pneumatic actuator		Aluminum
- valve plate		AISI 316L (1.4435 ESU)
- feedthrough		Aluminum (EN AW 6082)
- bonnet & plate seal		Viton
- actuator o-rings		Viton
Weight		3,5 kg / 7.7 lbs
Mounting position		any
Volume of air cylinder		0,112 l / 0,0040 ft ³
Compressed air pressure for pneumatic		4 - 8 bar / 60 - 115 psi
Compressed air connection		female G1/8"

Created by: M. Lindner	Release date: 2011-11-17	Page 1 of 2
Modified by::	Release date:	260352EB



VAT Vakuumventile AG
CH-9469 Haag, Schweiz

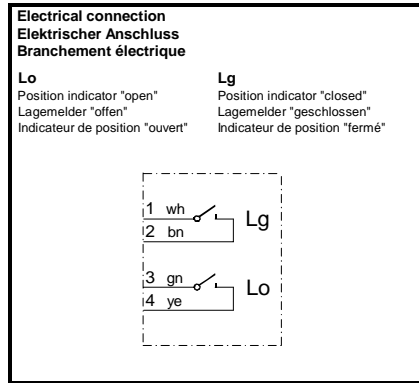
Product data sheet No. 260352EB

Vacuum Angle Valve, Series 244, DN 80 (ID 3 ")

Ordering No. 24438-QA41

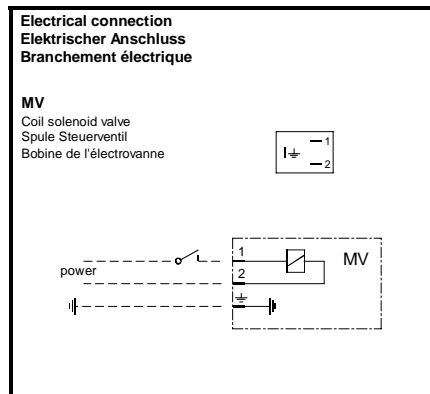
Position indicator: contact rating

- Voltage ≤ 50V AC / DC
- Current ≤ 0.1A
- Power ≤ 1 VA / W



Solenoid

- Voltage see label on solenoid



Created by: M. Lindner	Release date: 2011-11-17	Page 2 of 2
Modified by::	Release date:	260352EB