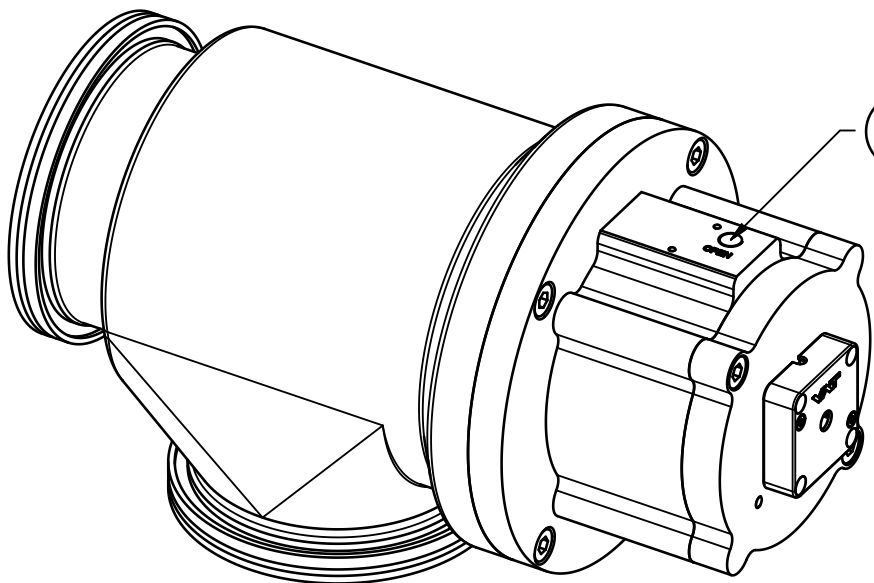
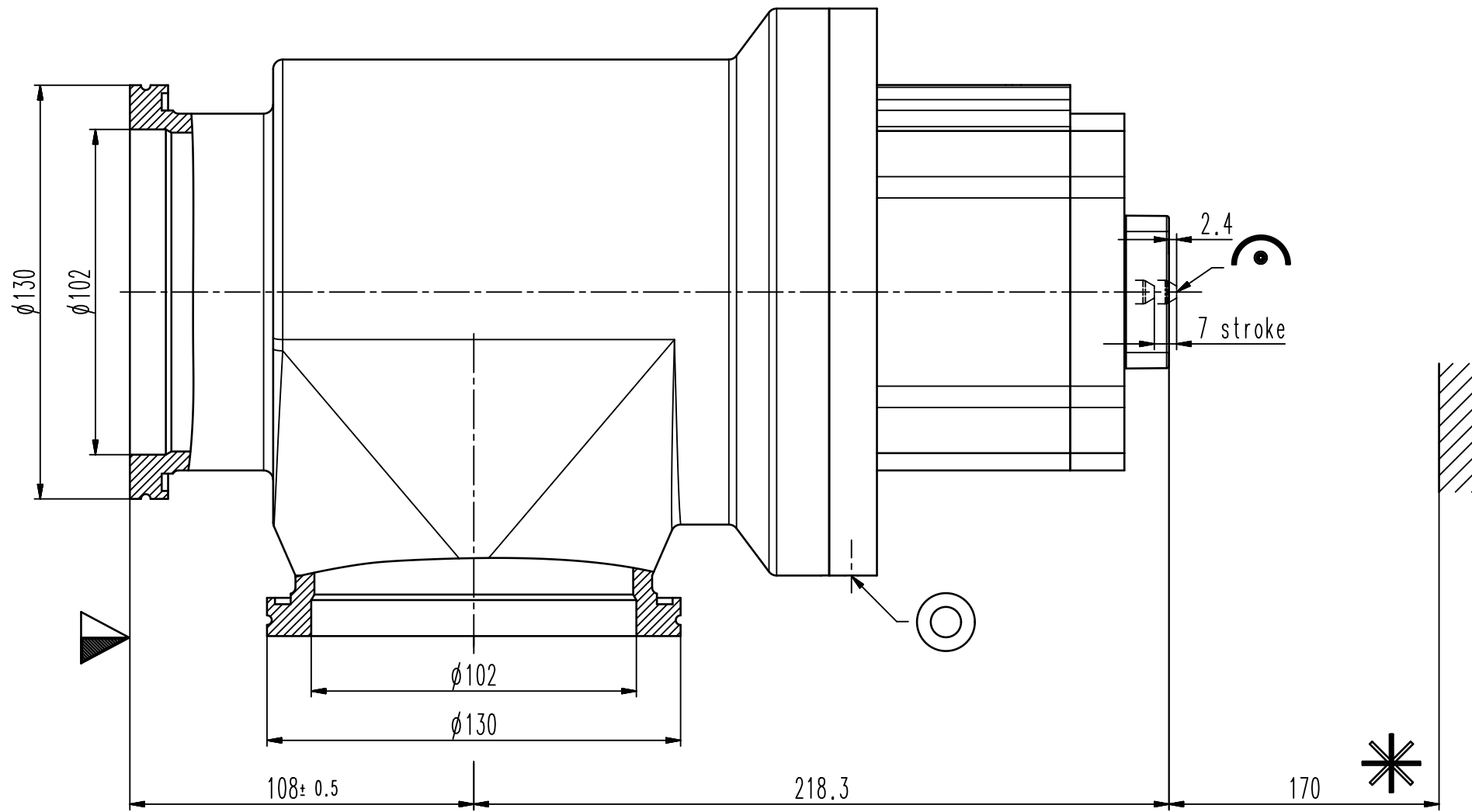
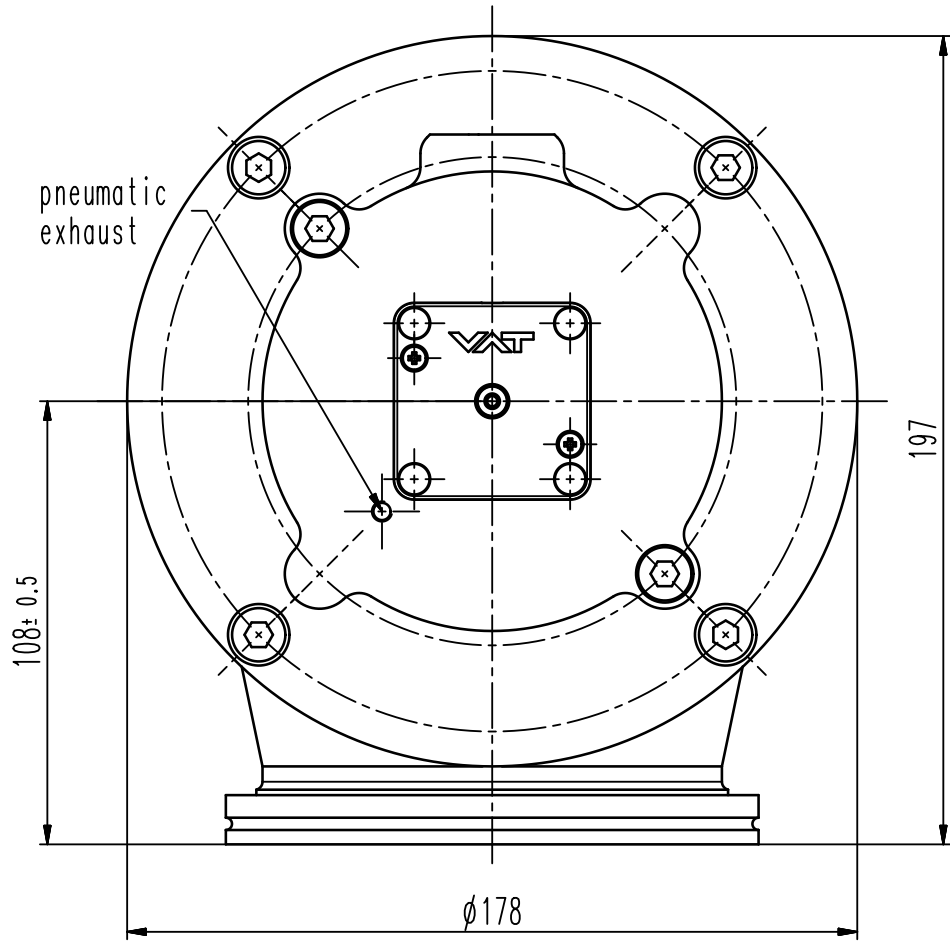


This drawing is the property of VAT.

Revision

Customer number



female
1/8" ISO/NPT
4.5-7 bar

- ▶ Seat side
- Comp. air connection
- Electrical connection
- Leak detection port
- Mech. pos. indication
- Position indicator
- Required for dismantling
- Emergency actuation
- For attachment
- Bake-out area
- Differential pumping port

Vacuum angle valve



VAT Vakuumventile AG

CH-9469 Haag, Switzerland
Tel ++41 81 7716161 Fax ++41 81 7714830

Rev.-Date: 02.02.15

Visa: SLU

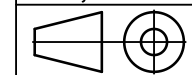
Series

244

Ordering No.

24440-QA11-0001

Projection E



DN

100

Flange

ISO-K

Dimensional
Drawing

577330

Rev.

A

VAT/DA