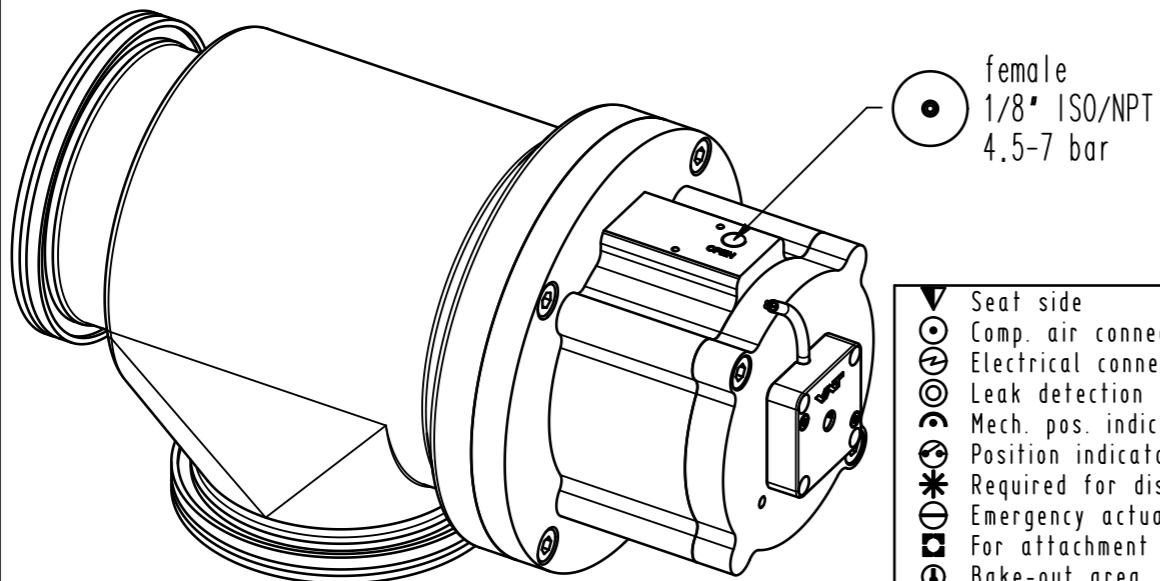
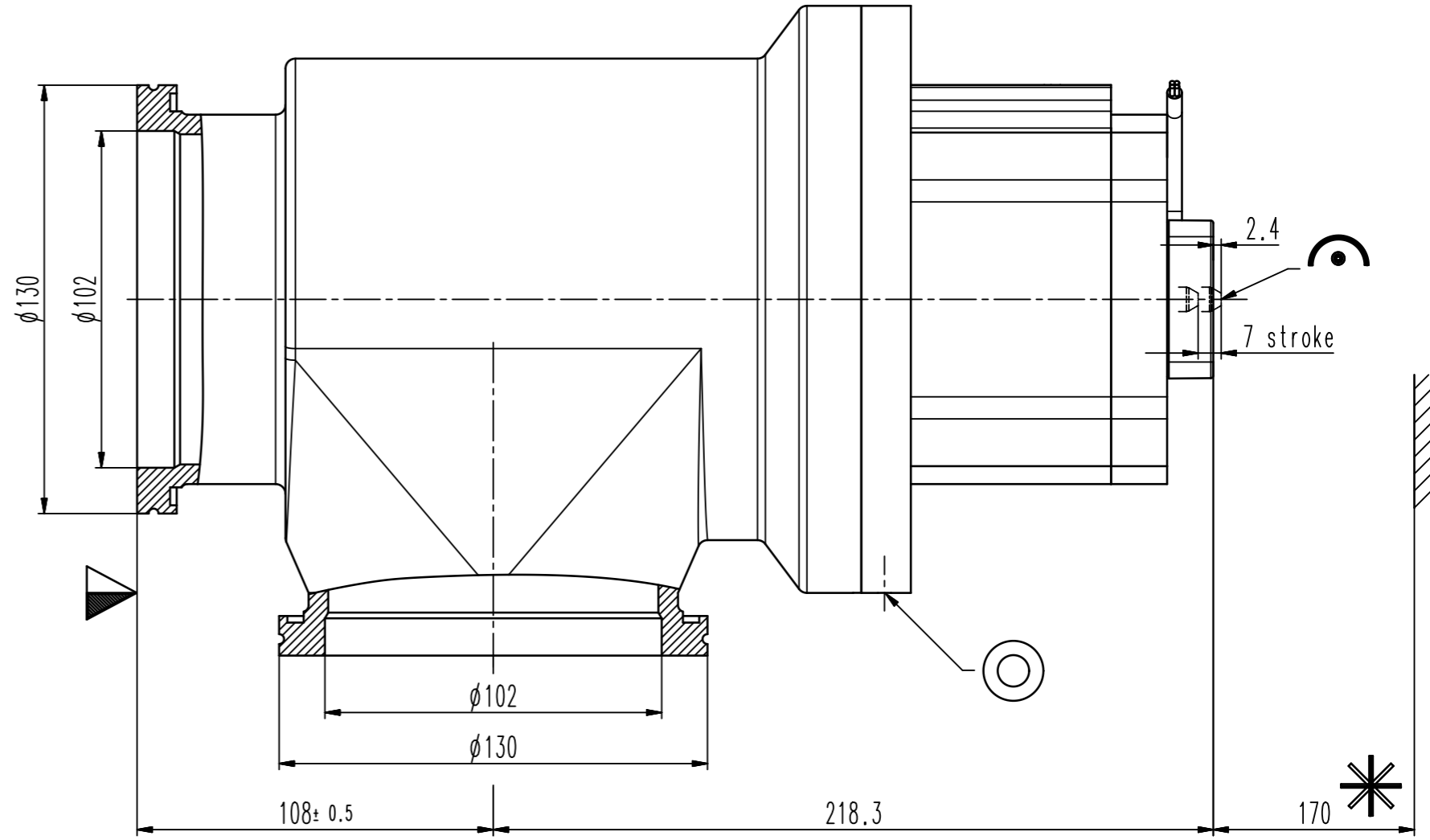
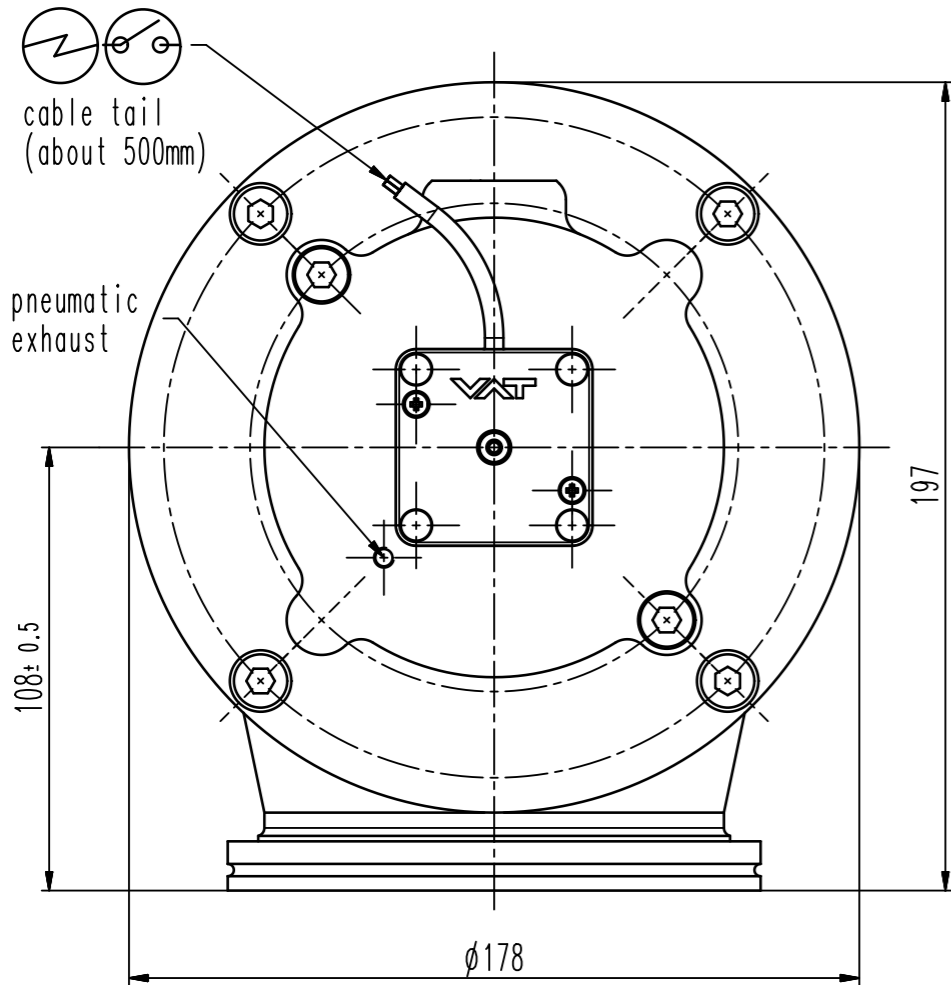


This drawing is the property of VAT.

Revision

Customer number



- ▶ Seat side
- ◉ Comp. air connection
- ◉ Electrical connection
- ◉ Leak detection port
- ◉ Mech. pos. indication
- ◉ Position indicator
- ◉ Required for dismantling
- ◉ Emergency actuation
- ◉ For attachment
- ◉ Bake-out area
- ◉ Differential pumping port

Vacuum angle valve



VAT Vakuumventile AG
 CH-9469 Haag, Switzerland
 Tel ++41 81 7716161 Fax ++41 81 7714830

Rev.-Date: 02.02.15
 Visa: SLU

Series	244	Ordering No.	24440-QA21-0001
Projection E	DN	Flange	ISO-K
	100		
Dimensional Drawing	563649	Rev.	A