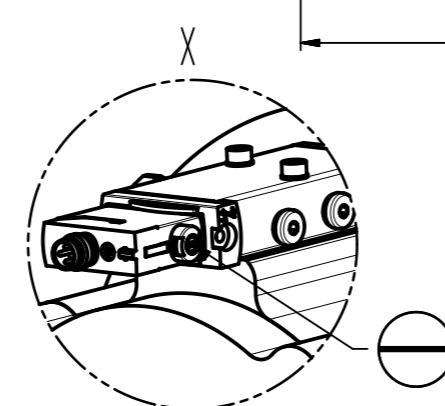
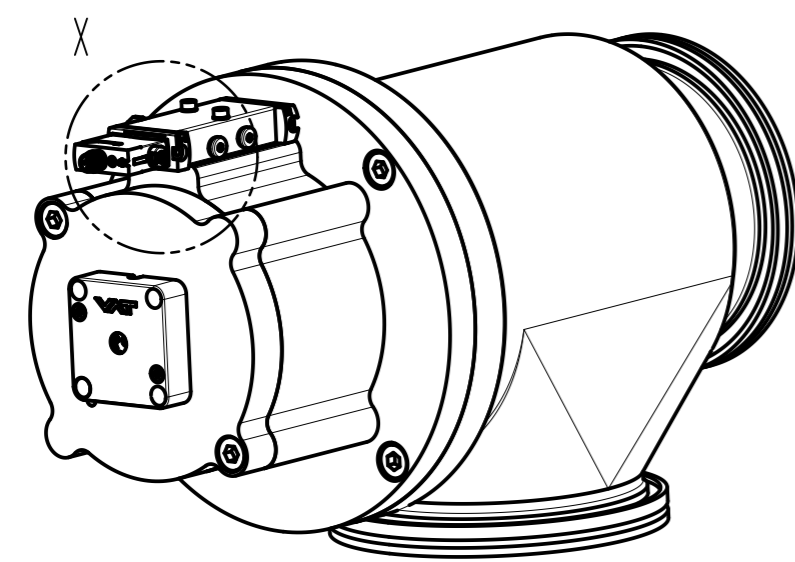
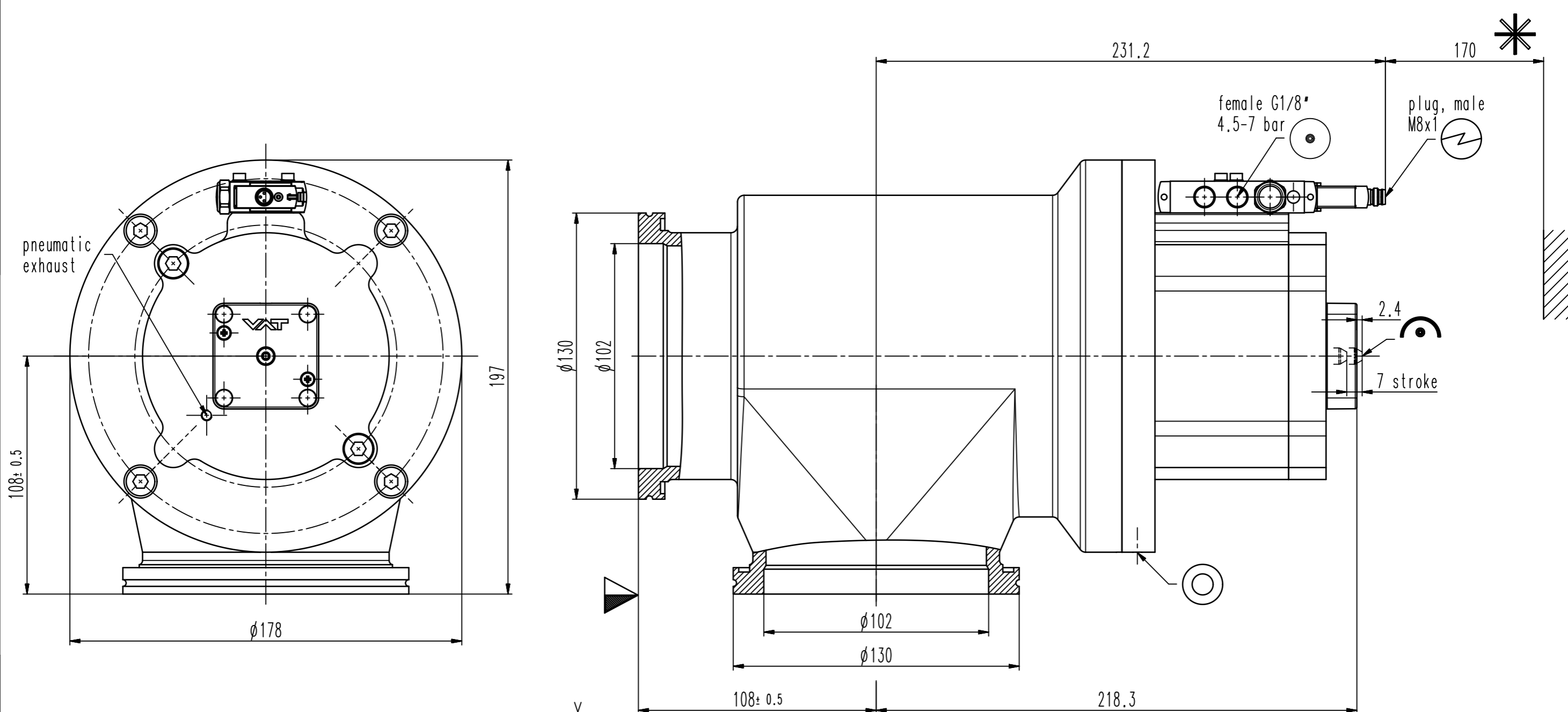


This drawing is the property of VAT.

Revision

Customer number



- ▼ Seat side
- ⊙ Comp. air connection
- ⊙ Electrical connection
- ⊙ Leak detection port
- ⊙ Mech. pos. indication
- ⊙ Position indicator
- ⊙ Required for dismantling
- ⊙ Emergency actuation
- ⊙ For attachment
- ⊙ Bake-out area
- ⊙ Differential pumping port

Vacuum angle valve		Series	Ordering No.
		244	24440-QA31-0001
		Projection E	DN
		100	Flange
VAT Vakuumentile AG CH-9469 Haag, Switzerland Tel ++41 81 7716161 Fax ++41 81 7714830		Rev.-Date: 24.09.15 Visa: SLU	ISO-K Rev. B
		Dimensional Drawing	577327