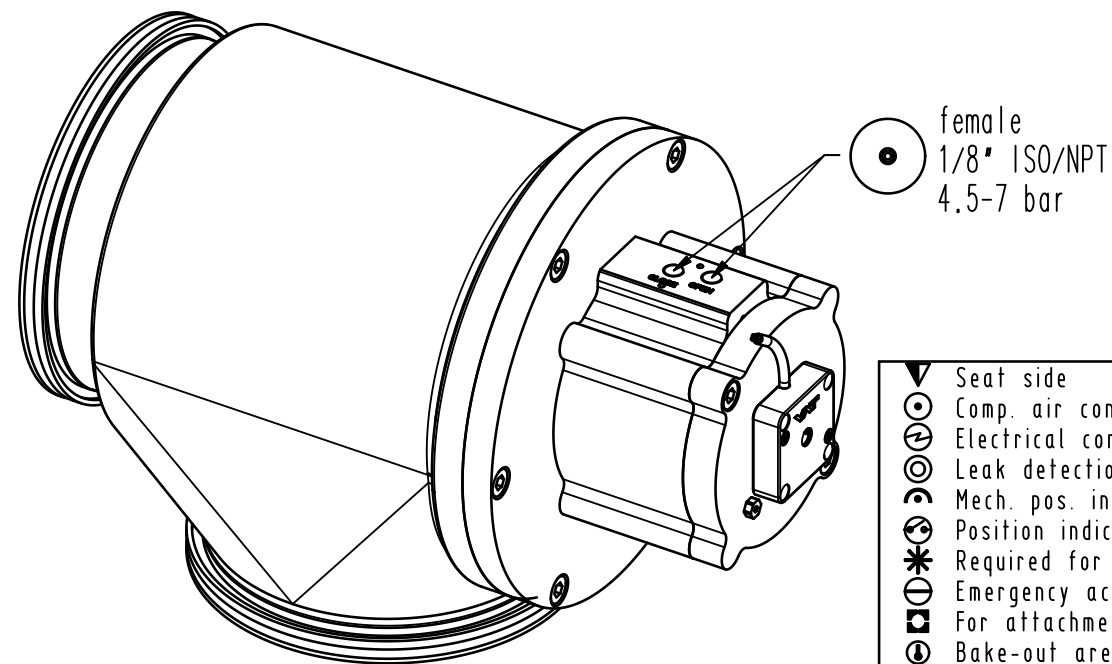
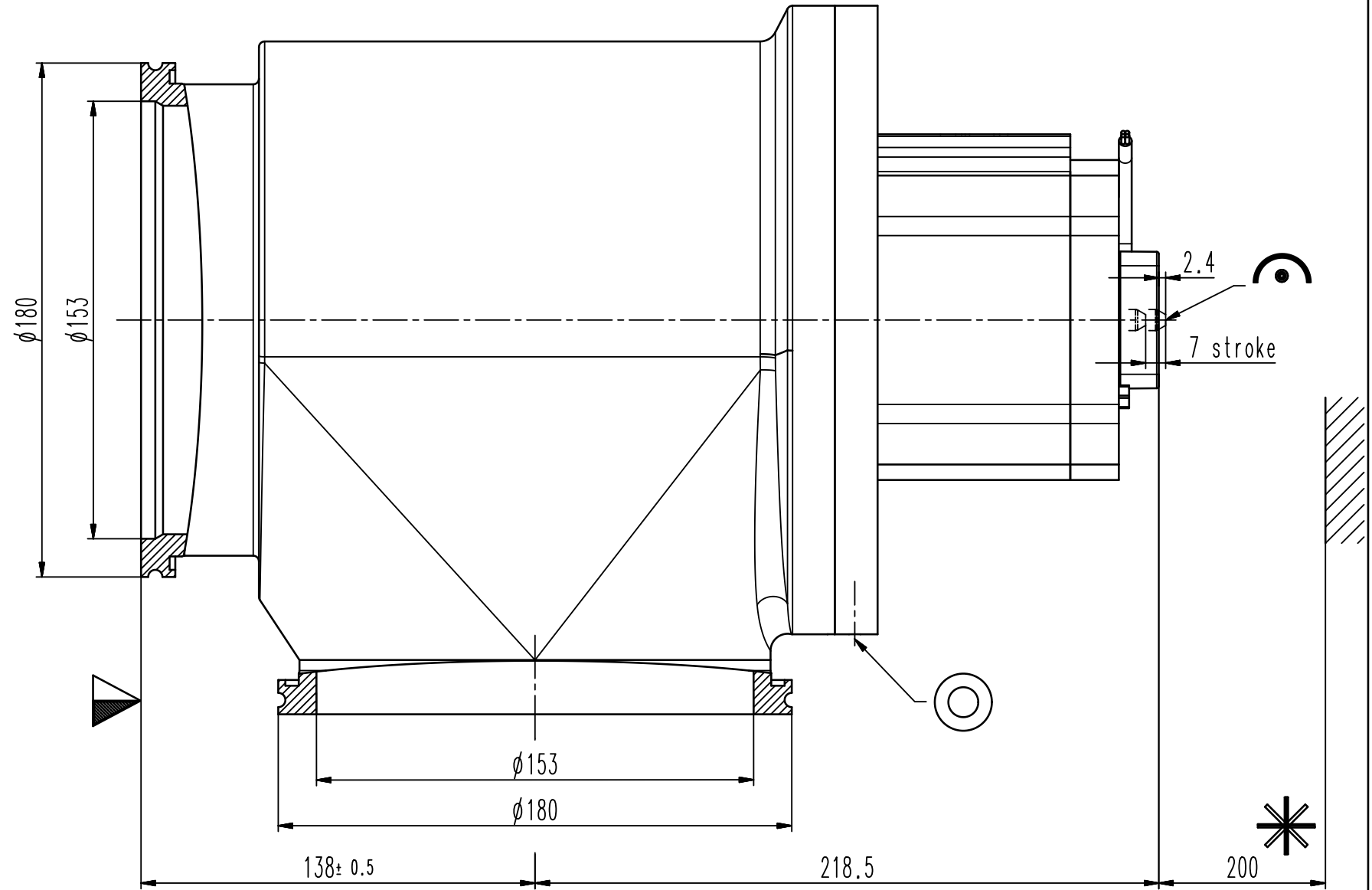
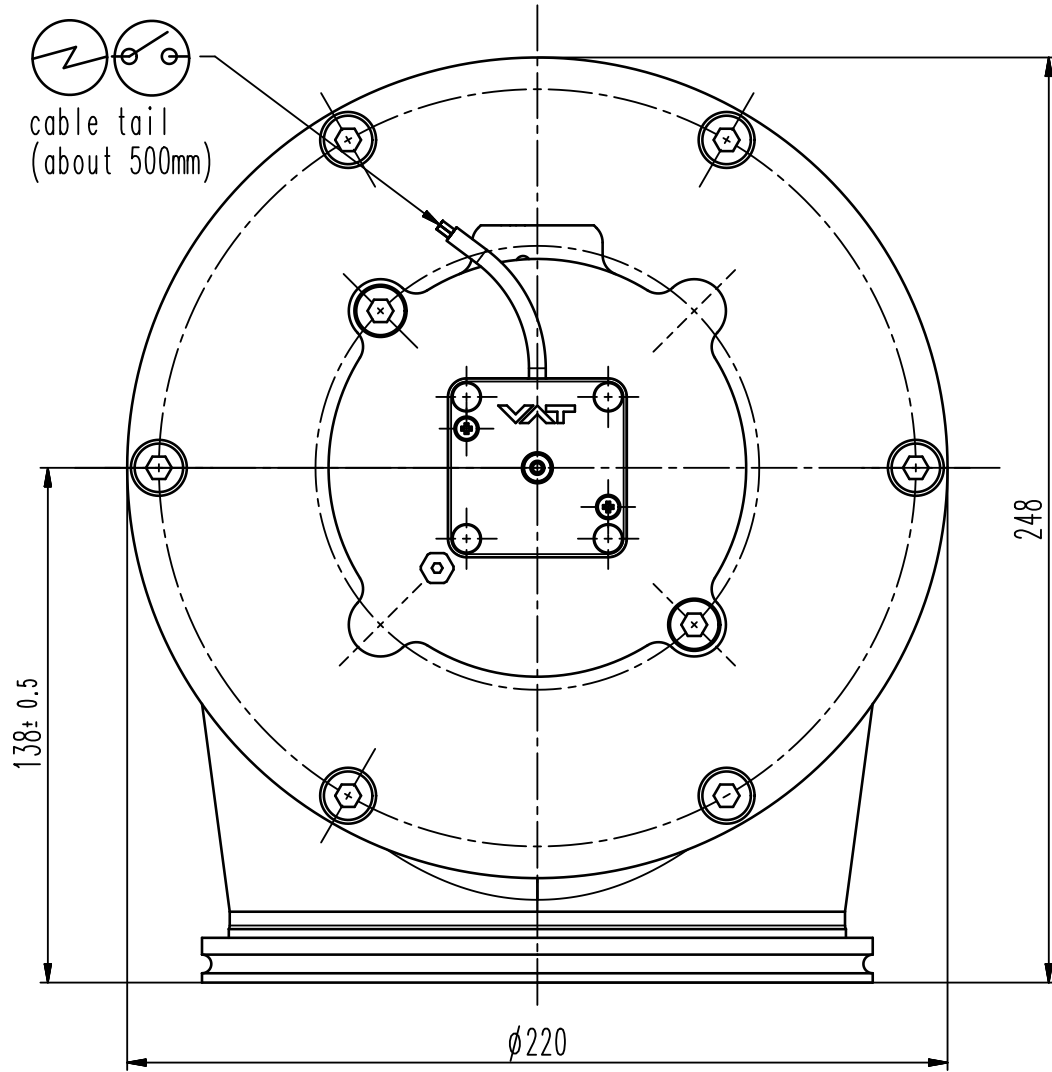


This drawing is the property of VAT.

Revision

Customer number



- ▶ Seat side
- ◀ Comp. air connection
- ⊕ Electrical connection
- ⊖ Leak detection port
- ⊙ Mech. pos. indication
- ⊙ Position indicator
- ⊙ Required for dismantling
- ⊙ Emergency actuation
- ⊙ For attachment
- ⊙ Bake-out area
- ⊙ Differential pumping port

Vacuum angle valve



VAT Vakuumentile AG  
 CH-9469 Haag, Switzerland  
 Tel ++41 81 7716161 Fax ++41 81 7714830

Rev.-Date: 22.10.12  
 Visa: LIN

Series	244	Ordering No.	24444-QA24-0001
Projection E	DN	Flange	ISO-K
Dimensional Drawing	160	562456	Rev.