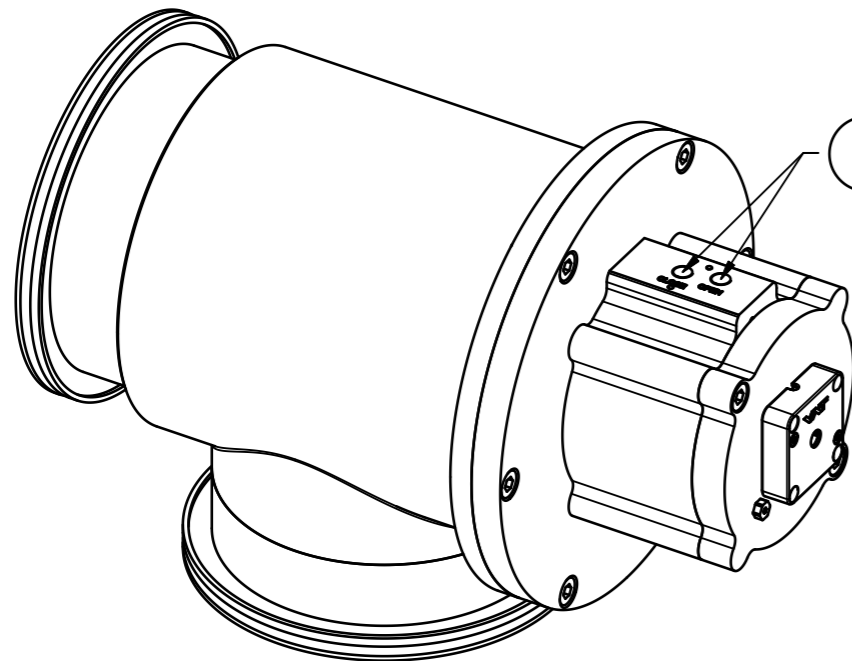
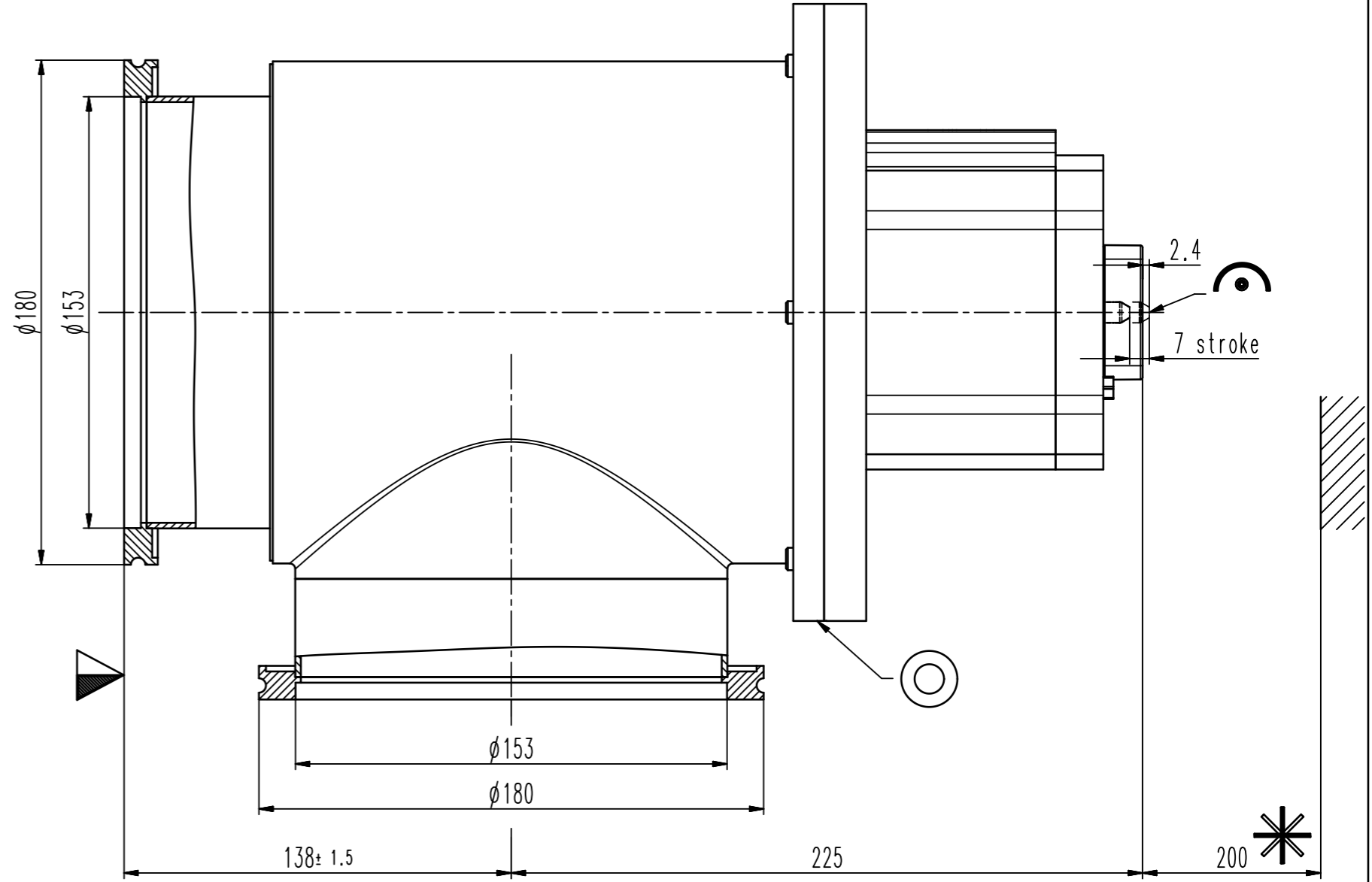
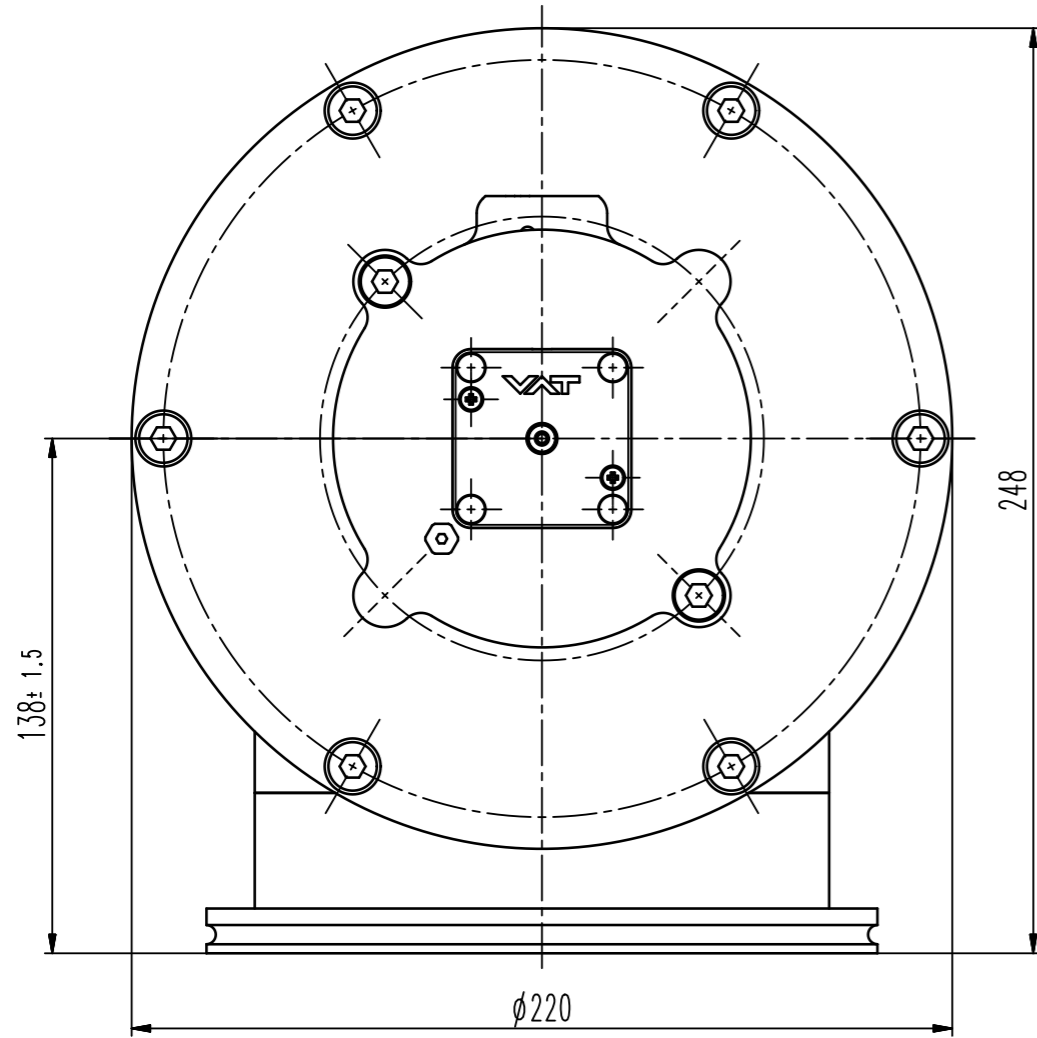


This drawing is the property of VAT.

Revision

Customer number



female  
1/8" ISO/NPT  
4.5-7 bar

- ▼ Seat side
- ⊙ Comp. air connection
- ⊙ Electrical connection
- ⊙ Leak detection port
- ⊙ Mech. pos. indication
- ⊙ Position indicator
- ⊙ Required for dismantling
- ⊙ Emergency actuation
- ⊙ For attachment
- ⊙ Bake-out area
- ⊙ Differential pumping port

### Vacuum angle valve



VAT Vakuumventile AG

CH-9469 Haag, Switzerland  
Tel ++41 81 7716161 Fax ++41 81 7714830

Rev.-Date: 06.08.13

Visa: LIN

Series	244	Ordering No.	24444-QE14-0001
Projection E	DN	Flange	ISO-K
	160		
Dimensional Drawing	705416	Rev.	