



VAT Vakuumventile AG  
CH-9469 Haag, Schweiz

## Product data sheet

**Vacuum angle valve**  
**Series 244, DN 200 (ID 8'')**  
**Ordering No. 24446-QE24-0003**

### Description

Flange	ISO-K 200
Actuator	Pneumatic, double acting – without solenoid valve – with position indicator
Feedthrough	Shaft feedthrough

### Technical data

Leak rate (static)	– Valve body – Valve seat	$< 1 \cdot 10^{-9}$ mbar ls <sup>-1</sup> $< 1 \cdot 10^{-9}$ mbar ls <sup>-1</sup>
Pressure range		$1 \cdot 10^{-7}$ mbar to 1.6 bar (abs)
Differential pressure on the plate	– In opening direction – In closing direction	$\leq 1.2$ bar $\leq 1.6$ bar
Differential pressure at opening		$\leq 1$ bar [1 bar with reduced number of cycles]
Conductance (molecular flow)		2000 ls <sup>-1</sup>
Actuation time	– Closing – Opening	$\leq 3$ sec. $\leq 3$ sec.
Cycles until first service (Tmax 80°C, under clean conditions)		1'000'000
Temperature (Maximum values: depending on operating conditions and sealing materials)	– Valve body – Actuator – Position indicator	$\leq 150$ °C $\leq 120$ °C $\leq 80$ °C
Material	– Valve body – Actuator – Plate – Shaft feedthrough	AISI 304(1.4301) Aluminum AISI 304(1.4301) AISI 304(1.4301)
Seal	– Bonnet O-ring – Plate O-ring – Feedthrough O-ring – Actuator O-ring	FKM (Viton®) FKM (Viton®) FKM (Viton®) FKM (Viton®)
Weight		32 kg / 71 lbs
Mounting position		any
Volume of pneumatic actuator		2.5 l / 0.09 ft <sup>3</sup>
Compressed air min. – max. overpressure		5 – 7 bar / 73 – 102 psi
Compressed air connection		1/8" ISO/NPT female
Behavior in case of compressed air pressure drop	– Valve closed – Valve opened – During actuation	depending on customer installation depending on customer installation depending on customer installation

Created by: LIN	Release date: 17.03.2015	1/2
Modified by:	Release date:	<b>791326EA</b>



VAT Vakuumventile AG  
CH-9469 Haag, Schweiz

## Product data sheet

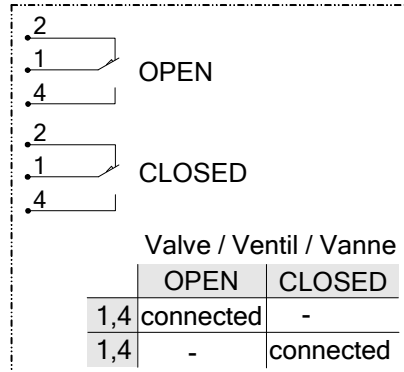
**Vacuum angle valve**  
**Series 244, DN 200 (ID 8'')**  
**Ordering No. 24446-QE24-0003**

Behavior in case of power failure – Valve closed depending on customer installation  
– Valve opened depending on customer installation  
– During actuation depending on customer installation

### Electrical connection

#### Position indicator

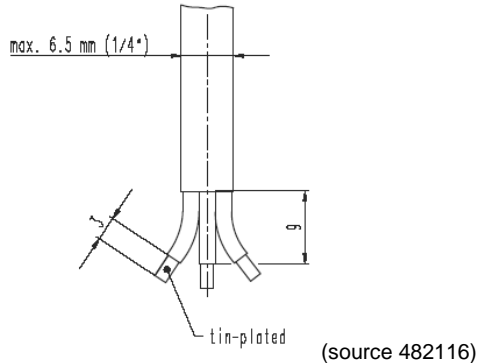
Type Micro switch  
Voltage ≤ 50 V AC / DC  
Current 5 – 100 mA  
Short circuit protected No  
Connection cable



Wiring diagram

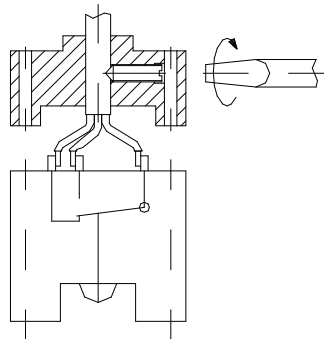
#### Installation Position Indicator

Prepare cable:



- remove 12mm of external insulation
- remove inner insulation to expose 3mm of each conductor
- tin coat the strands

Connect cable:



- feed cable trough the strain relief housing
- solder the tinned conductors to the pins
- assemble housing with position indicator

Created by: LIN	Release date: 17.03.2015	2/2
Modified by:	Release date:	<b>791326EA</b>