



VAT Vakuumventile AG
CH-9469 Haag, Schweiz

Product data sheet

Vacuum angle valve
Series 244, DN 200 (ID 8'')
Ordering No. 24446-QE44-0003

Description

Flange	ISO-K 200
Actuator	Pneumatic, double acting – with solenoid valve – with position indicator
Feedthrough	Shaft feedthrough

Technical data

Leak rate (static)	– Valve body – Valve seat	$< 1 \cdot 10^{-9}$ mbar ls ⁻¹ $< 1 \cdot 10^{-9}$ mbar ls ⁻¹
Pressure range		$1 \cdot 10^{-7}$ mbar to 1.6 bar (abs)
Differential pressure on the plate	– In opening direction – In closing direction	≤ 1.2 bar ≤ 1.6 bar
Differential pressure at opening		≤ 1 bar [1 bar with reduced number of cycles]
Conductance (molecular flow)		2000 ls ⁻¹
Actuation time	– Closing – Opening	≤ 3 sec. ≤ 3 sec.
Cycles until first service (Tmax 80°C, under clean conditions)		1'000'000
Temperature (Maximum values: depending on operating conditions and sealing materials)	– Valve body – Actuator – Solenoid valve – Position indicator	≤ 150 °C ≤ 120 °C ≤ 70 °C ≤ 80 °C
Material	– Valve body – Actuator – Plate – Shaft feedthrough	AISI 304(1.4301) Aluminum AISI 304(1.4301) AISI 304(1.4301)
Seal	– Bonnet O-ring – Plate O-ring – Feedthrough O-ring – Actuator O-ring	FKM (Viton®) FKM (Viton®) FKM (Viton®) FKM (Viton®)
Weight		32 kg / 71 lbs
Mounting position		any
Volume of pneumatic actuator		2.5 l / 0.09 ft ³
Compressed air min. – max. overpressure		5 – 7 bar / 73 – 102 psi
Compressed air connection		G $\frac{1}{8}$ " female
Behavior in case of compressed air pressure drop	– Valve closed – Valve opened – During actuation	depending on customer installation depending on customer installation depending on customer installation

Created by: LIN	Release date: 18.03.2015	1/2
Modified by:	Release date:	791376EA



VAT Vakuumventile AG
CH-9469 Haag, Schweiz

Product data sheet

Vacuum angle valve
Series 244, DN 200 (ID 8'')
Ordering No. 24446-QE44-0003

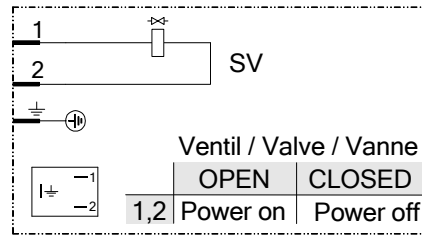
Behavior in case of power failure – Valve closed
– Valve opened
– During actuation

Valve remains closed and leaktight
Valve closes leaktight
Valve closes leaktight

Electrical connection

Solenoid valve

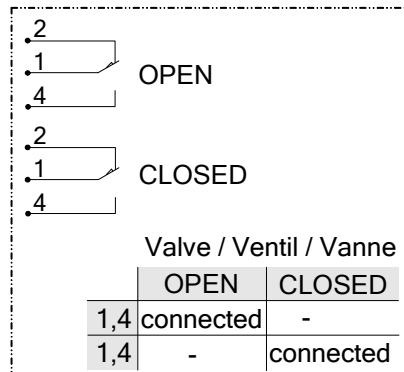
Type 5/2 way
Voltage See solenoid
Power See solenoid
Connection type Rectangle plug, Type B



Wiring diagram

Position indicator

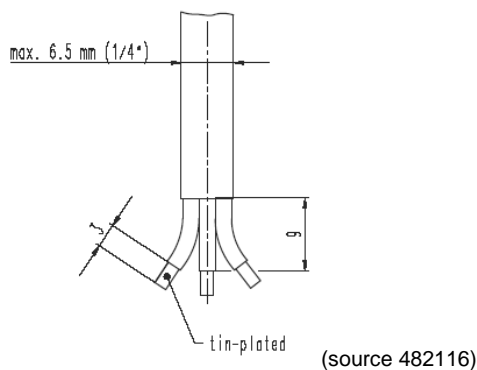
Type Micro switch
Voltage ≤ 50 V AC / DC
Current 5 – 100 mA
Short circuit protected No
Connection cable



Wiring diagram

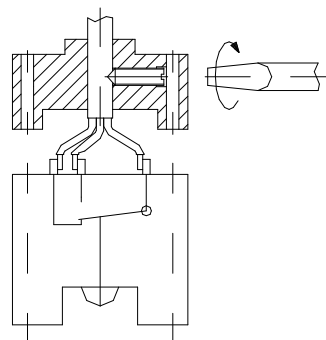
Installation Position Indicator

Prepare cable:



- remove 12mm of external insulation
- remove inner insulation to expose 3mm of each conductor
- tin coat the strands

Connect cable:



- feed cable through the strain relief housing
- solder the tinned conductors to the pins
- assemble housing with position indicator

Created by: LIN	Release date: 18.03.2015	2/2
Modified by:	Release date:	791376EA