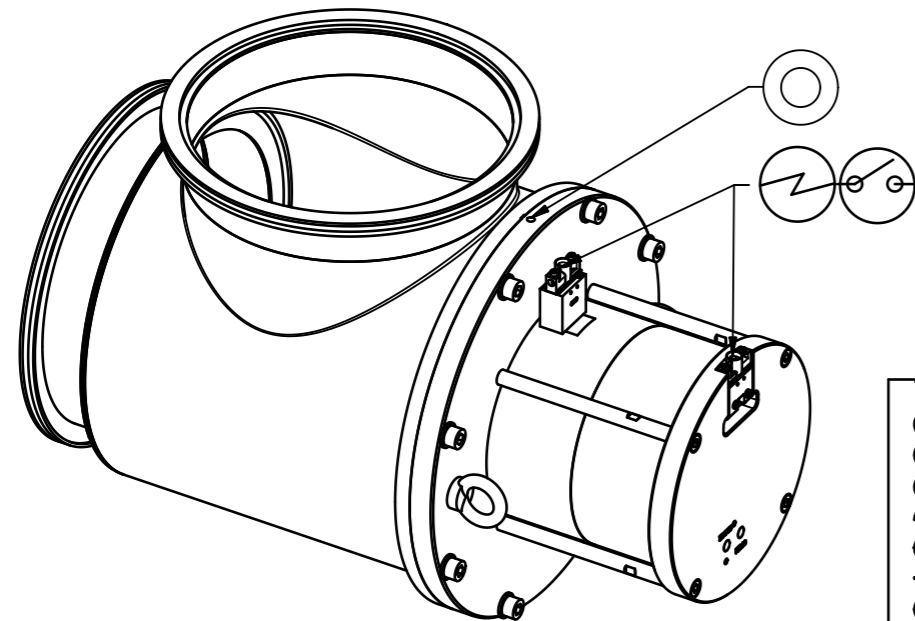
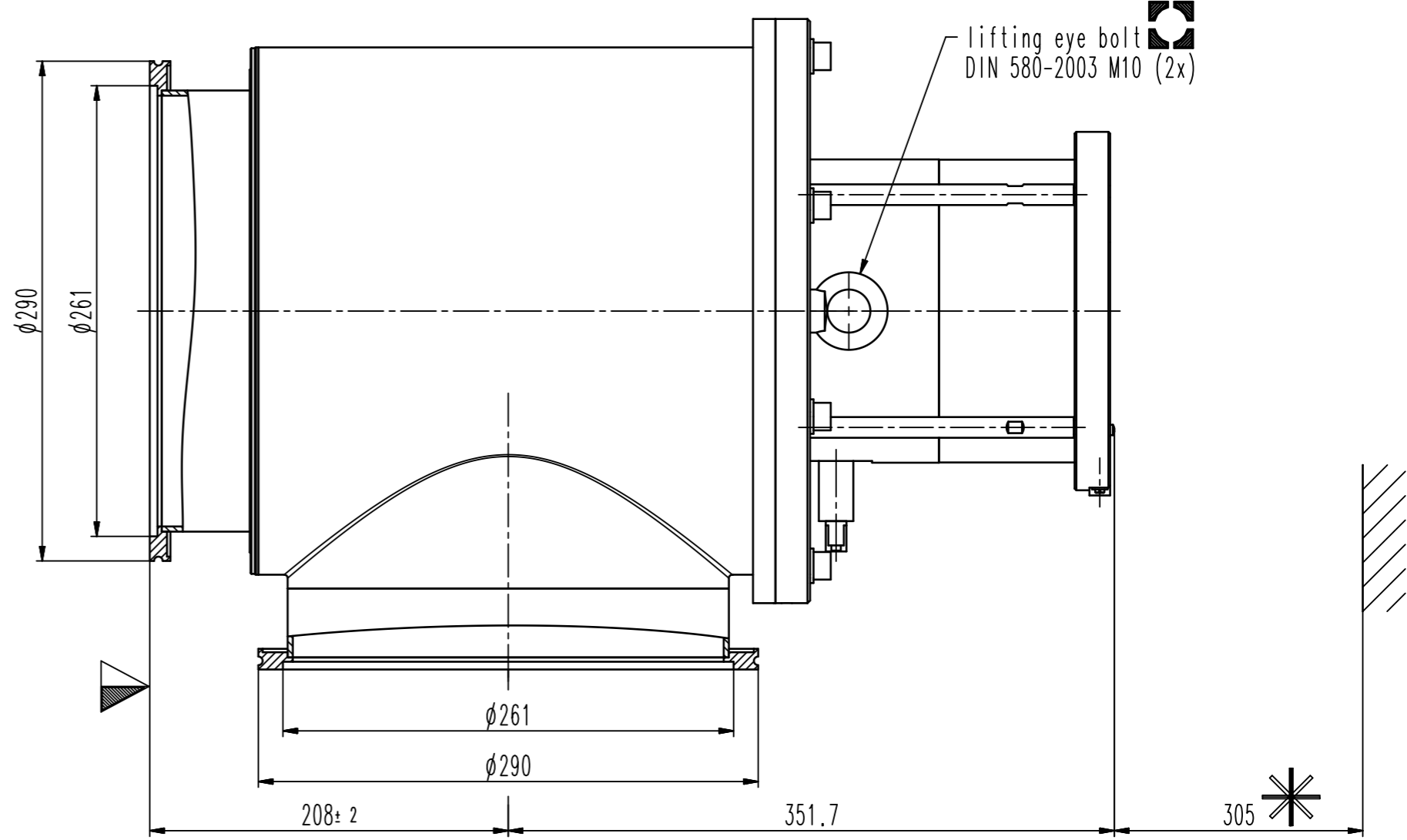
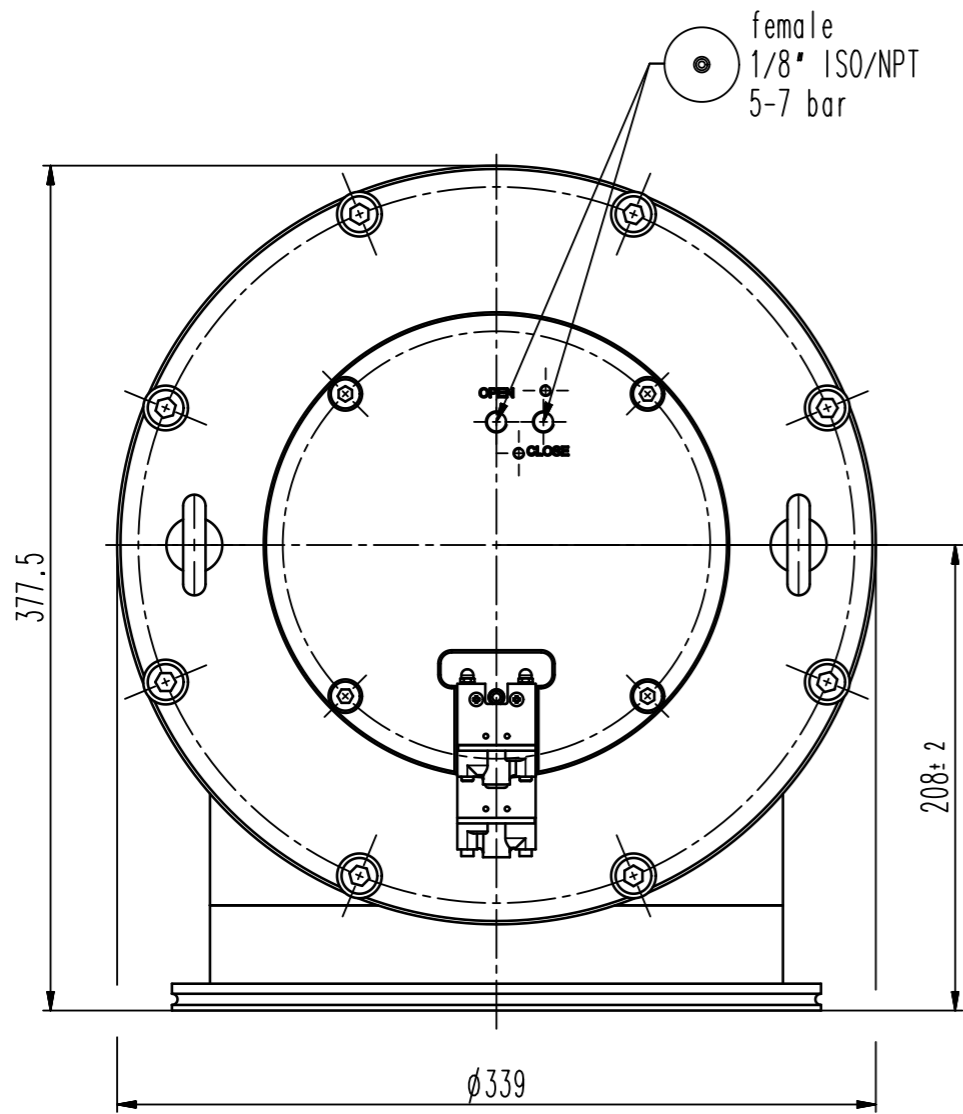


This drawing is the property of VAT.

Revision

Customer number



- ▼ Seat side
- Comp. air connection
- ⊕ Electrical connection
- ⊖ Leak detection port
- ⊙ Mech. pos. indication
- ⊗ Position indicator
- ⊛ Required for dismantling
- ⊚ Emergency actuation
- ⊠ For attachment
- ⊞ Bake-out area
- ⊕ Differential pumping port

Vacuum angle valve



VAT Vakuumventile AG
CH-9469 Haag, Switzerland
Tel ++41 81 7716161 Fax ++41 81 7714830

Rev.-Date: 18.03.15
Visa: LIN

Series	244	Ordering No.	24448-QE24-0002
Projection E	DN	Flange	ISO-K
	250		
Dimensional Drawing	791482	Rev.	