



VAT Vakuumventile AG
CH-9469 Haag, Schweiz

Product data sheet

Vacuum angle valve
Series 244, DN 250 (ID 10")
Ordering No. 24448-QE24-0002

Description

Flange	ISO-K 250
Actuator	Pneumatic, double acting – without solenoid valve – with position indicator
Feedthrough	Shaft feedthrough

Technical data

Leak rate (static)	– Valve body – Valve seat	$< 1 \cdot 10^{-9}$ mbar ls ⁻¹ $< 1 \cdot 10^{-9}$ mbar ls ⁻¹
Pressure range		$1 \cdot 10^{-7}$ mbar to 1.6 bar (abs)
Differential pressure on the plate	– In opening direction – In closing direction	≤ 1.2 bar ≤ 1.6 bar
Differential pressure at opening		≤ 1 bar [1 bar with reduced number of cycles]
Conductance (molecular flow)		3100 ls ⁻¹
Actuation time	– Closing – Opening	≤ 3 sec. ≤ 3 sec.
Cycles until first service (Tmax 80°C, under clean conditions)		1'000'000
Temperature (Maximum values: depending on operating conditions and sealing materials)	– Valve body – Actuator – Position indicator	≤ 150 °C ≤ 120 °C ≤ 80 °C
Material	– Valve body – Actuator – Plate – Shaft feedthrough	AISI 304(1.4301) Aluminum AISI 304(1.4301) AISI 304(1.4301)
Seal	– Bonnet O-ring – Plate O-ring – Feedthrough O-ring – Actuator O-ring	FKM (Viton®) FKM (Viton®) FKM (Viton®) FKM (Viton®)
Weight		46 kg / 101 lbs
Mounting position		any
Volume of pneumatic actuator		2.5 l / 0.09 ft ³
Compressed air min. – max. overpressure		5 – 7 bar / 73 – 102 psi
Compressed air connection		1/8" ISO/NPT female
Behavior in case of compressed air pressure drop	– Valve closed – Valve opened – During actuation	depending on customer installation depending on customer installation depending on customer installation

Created by: LIN	Release date: 19.03.2015	1/2
Modified by:	Release date:	791473EA



VAT Vakuumventile AG
CH-9469 Haag, Schweiz

Product data sheet

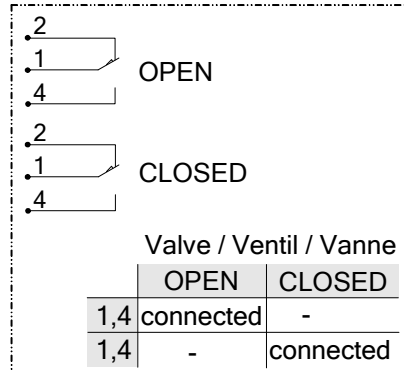
Vacuum angle valve
Series 244, DN 250 (ID 10")
Ordering No. 24448-QE24-0002

Behavior in case of power failure – Valve closed depending on customer installation
– Valve opened depending on customer installation
– During actuation depending on customer installation

Electrical connection

Position indicator

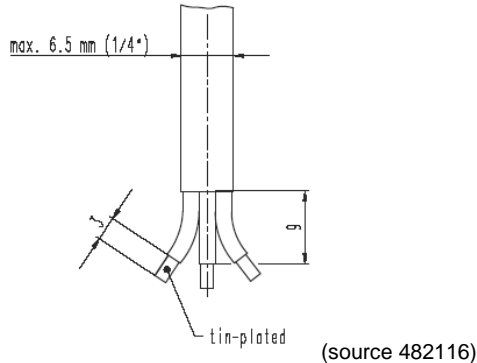
Type Micro switch
Voltage ≤ 50 V AC / DC
Current 5 – 100 mA
Short circuit protected No
Connection cable



Wiring diagram

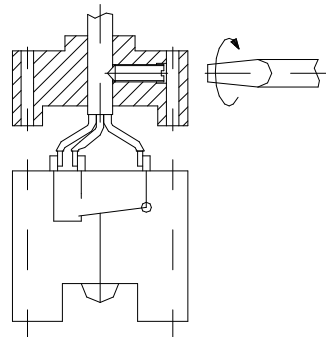
Installation Position Indicator

Prepare cable:



- remove 12mm of external insulation
- remove inner insulation to expose 3mm of each conductor
- tin coat the strands

Connect cable:



- feed cable trough the strain relief housing
- solder the tinned conductors to the pins
- assemble housing with position indicator