



VAT Vakuumventile AG
CH-9469 Haag, Schweiz

Product data sheet

Vacuum angle valve, Series 244, DN 16 (ID 5/8 ")
Ordering No. 24424-KE32-0001

Description

Flange	ISO-KF 16
Actuator	Pneumatic, single acting with opening spring – with solenoid valve – without position indicator
Feedthrough	Shaft feedthrough

Technical data

Leak rate	– Valve body – Valve seat	$< 1 \cdot 10^{-9}$ mbar ls ⁻¹ $< 1 \cdot 10^{-9}$ mbar ls ⁻¹
Pressure range		$1 \cdot 10^{-7}$ mbar to 5 bar (abs)
Differential pressure on the plate	– In opening direction – In closing direction	≤ 2 bar ≤ 5 bar
Differential pressure at opening		≤ 1 bar ≤ 3 bar with reduced cycle lifetime (min. 450 000)
Conductance (molecular flow)		5 ls ⁻¹
Closing time		≤ 0.1 sec.
Cycles until first service (Tmax 80°C, differential pressure max. 1 bar)		3 million
Admissible Temperature	– Valve body – Actuator – Solenoid valve	≤ 150 °C ≤ 120 °C ≤ 80 °C
Material	– Valve body – Actuator – Plate – Shaft feedthrough	AISI 304 (1.4301) Aluminum AISI 316L (1.4435 ESU) Stainless Steel
Seal	– Bonnet O-ring – Plate O-ring – Actuator O-ring	FKM (Viton®) FKM (Viton®) FKM (Viton®)
Weight		0,4 kg / 0.882 lbs
Mounting position		any
Volume of pneumatic actuator		0.004 l / 0.0001 ft ³
Compressed air min. – max. overpressure		4 – 8 bar / 58 – 116 psi
Compressed air connection		M5 female (10-32 UNF suitable)

Created by: R. Walser	Release date: 2013-09-11	1 of 2
Modified by:	Release date:	604074EA



VAT Vakuumentile AG
CH-9469 Haag, Schweiz

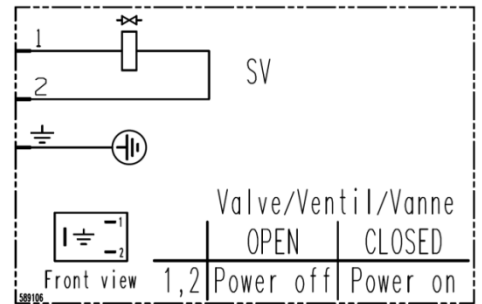
Product data sheet

Vacuum angle valve, Series 244, DN 16 (ID 5/8 ")
Ordering No. 24424-KE32-0001

Electrical connections

Solenoid valve

Type	3/2-way
Voltage	See solenoid
Power	See solenoid
Connector	Rectangle plug, Type B (DIN standard)
Cable	Ø6 – 8 mm



Wiring diagram

Created by: R. Walser	Release date: 2013-09-11	2 of 2
Modified by:	Release date:	604074EA