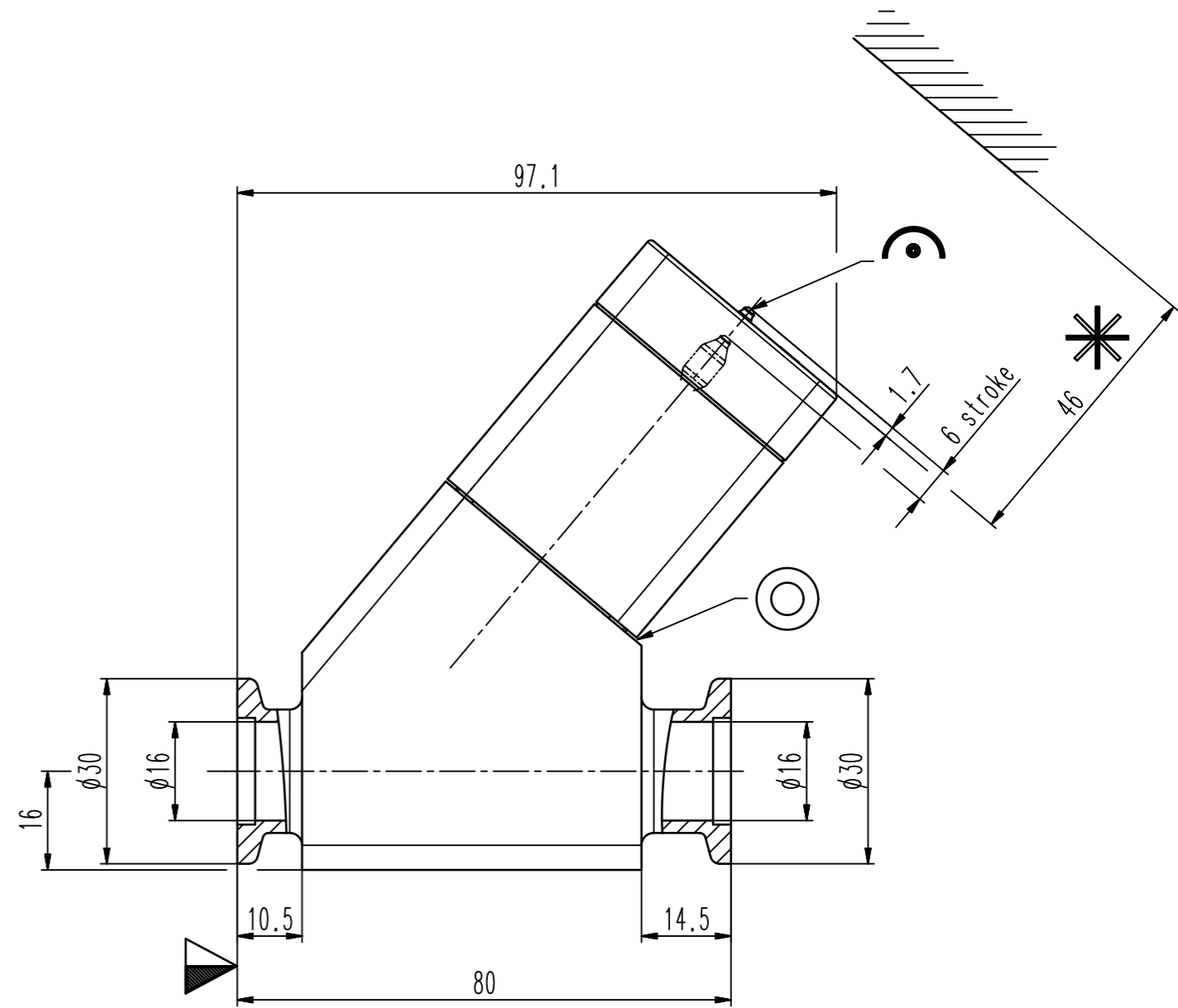
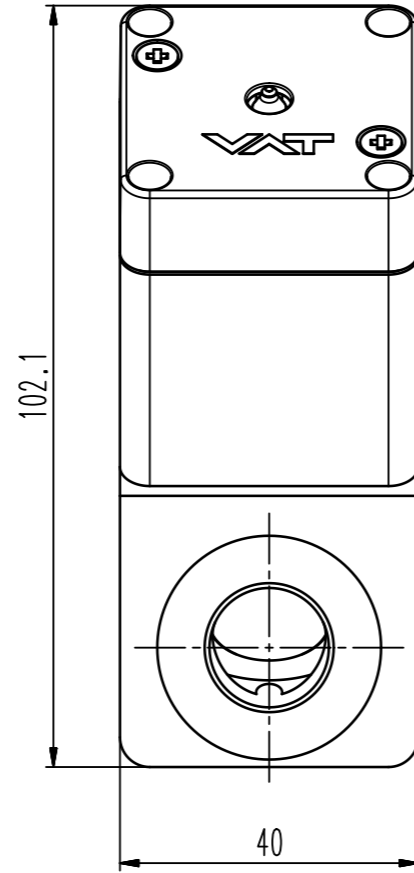
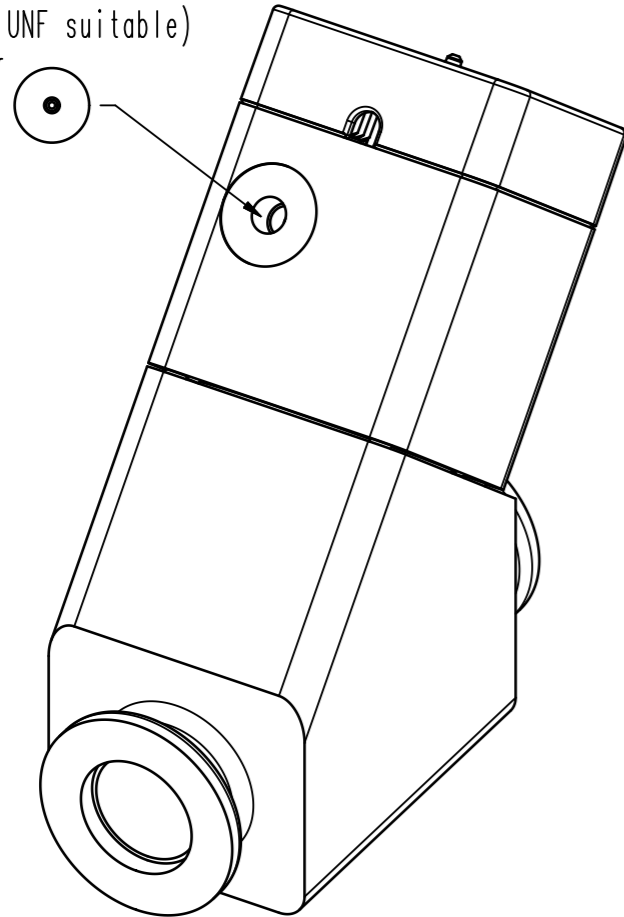


female M5  
(10-32 UNF suitable)  
4-8 bar



- ▼ Seat side
- ⊙ Comp. air connection
- ⊙ Electrical connection
- ⊙ Leak detection port
- ⊙ Mech. pos. indication
- ⊙ Position indicator
- ⊙ Required for dismantling
- ⊙ Emergency actuation
- ⊙ For attachment
- ⊙ Bake-out area
- ⊙ Differential pumping port

### Vacuum inline valve



VAT Vakuumventile AG

CH-9469 Haag, Switzerland  
Tel ++41 81 7716161 Fax ++41 81 7714830

Rev.-Date: 07.10.13

Visa: WARO

Series	245	Ordering No.	24524-KA12-0001
Projection E	DN	Flange	
	16	ISO-KF	
Dimensional Drawing		326882	Rev. A