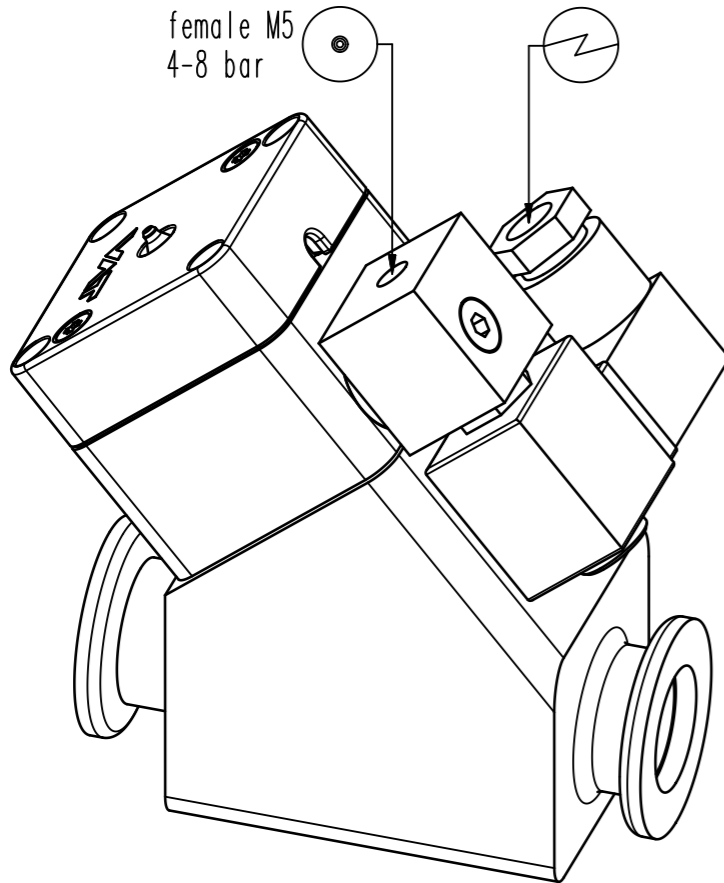


female M5
4-8 bar



- ▼ Seat side
- ⊕ Comp. air connection
- ⊖ Electrical connection
- ⊙ Leak detection port
- ⊚ Mech. pos. indication
- ⊛ Position indicator
- ⊜ Required for dismantling
- ⊝ Emergency actuation
- ⊞ For attachment
- ⊟ Bake-out area
- ⊠ Differential pumping port

Vacuum inline valve



VAT Vakuumentile AG
CH-9469 Haag, Switzerland
Tel ++41 81 7716161 Fax ++41 81 7714830

Date: 21.07.05
Name: VEA

Series	245	Ordering No.	24524-KA31-0001
Projection E	DN	Flange	
	16	ISO-KF	
Dimensional Drawing	263217	Rev.	A