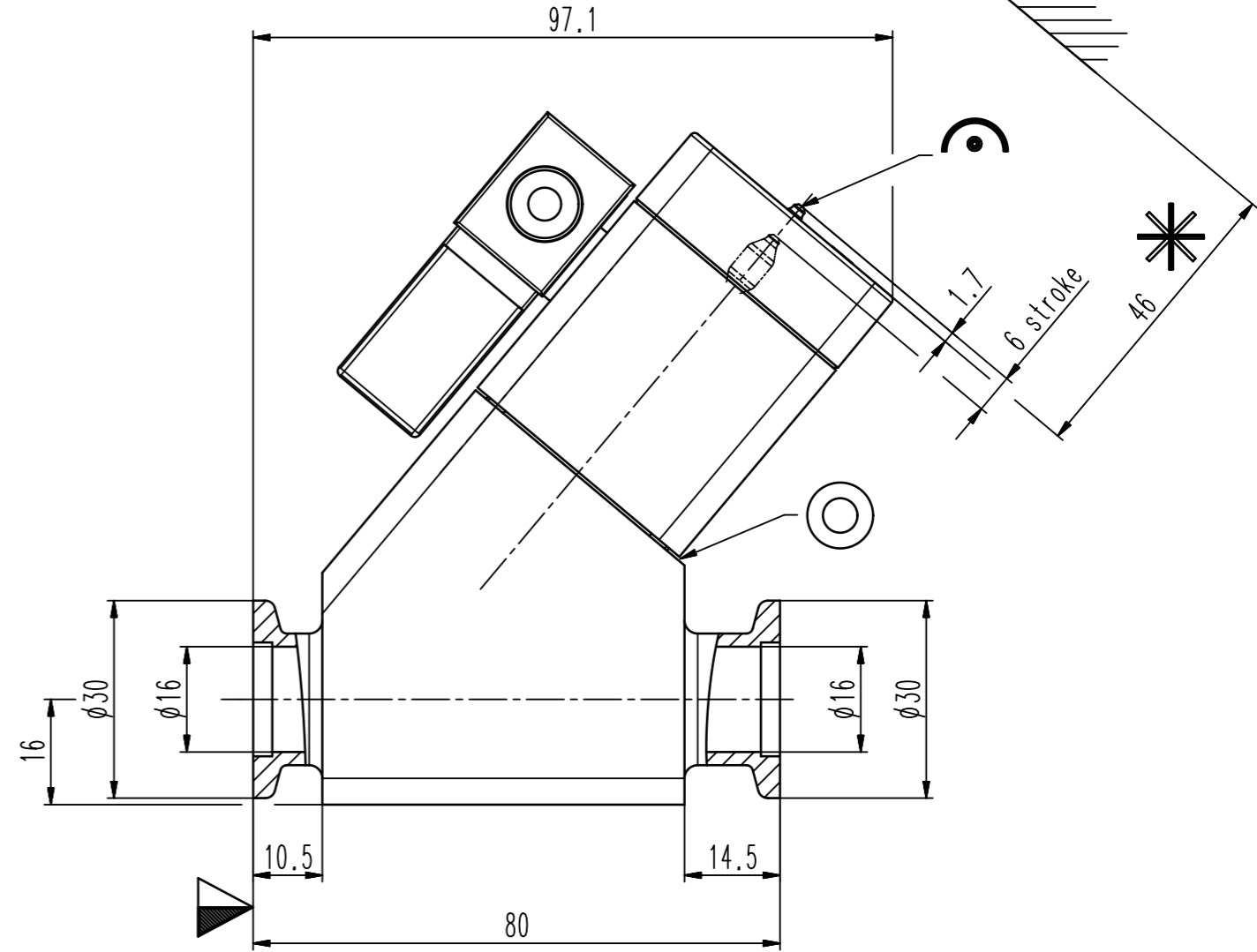
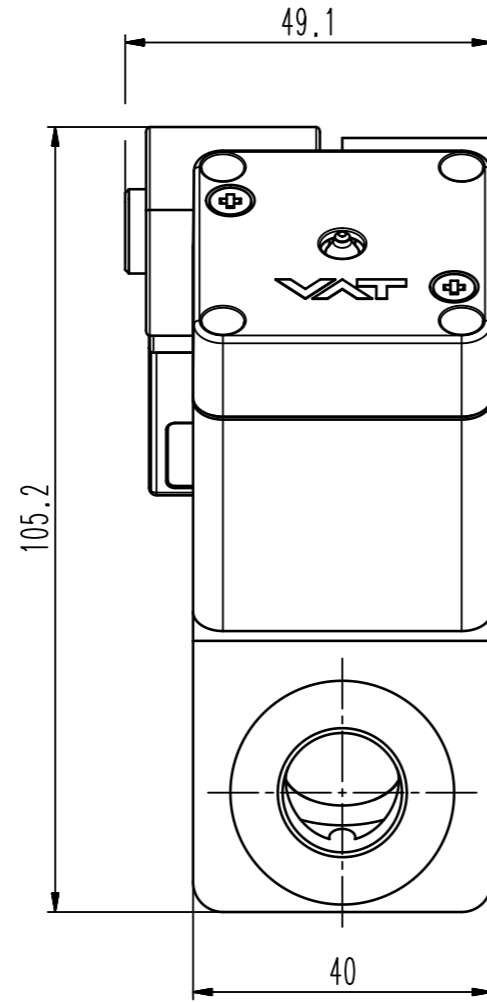
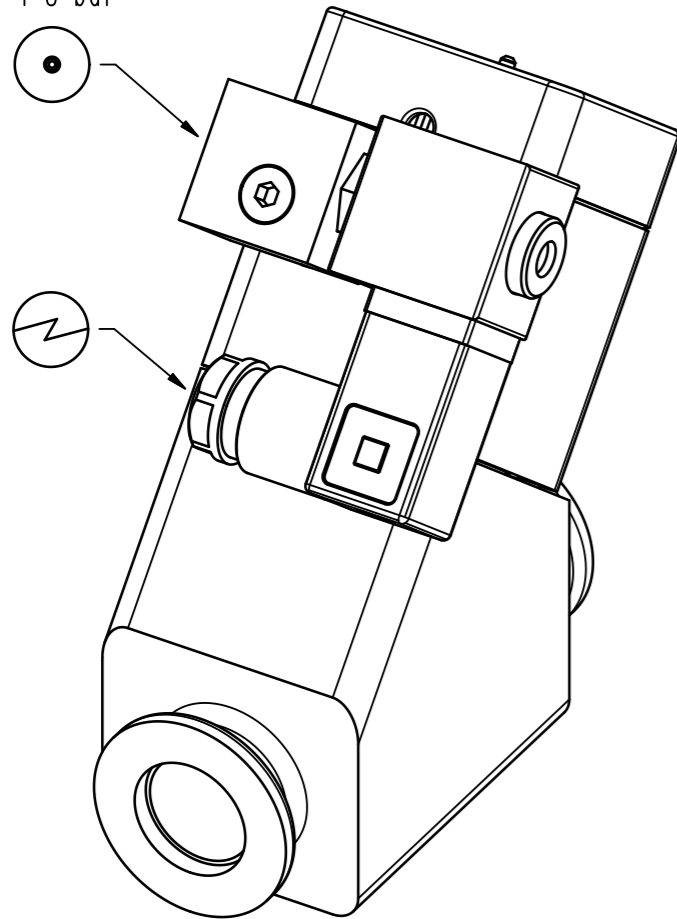


female M5  
(10-32 UNF suitable)  
4-8 bar



- ▼ Seat side
- ⊕ Comp. air connection
- ⊖ Electrical connection
- ⊙ Leak detection port
- ⊚ Mech. pos. indication
- ⊛ Position indicator
- ⊜ Required for dismantling
- ⊝ Emergency actuation
- ⊞ For attachment
- ⊟ Bake-out area
- ⊠ Differential pumping port

### Vacuum inline valve



VAT Vakuumventile AG

CH-9469 Haag, Switzerland  
Tel ++41 81 7716161 Fax ++41 81 7714830

Rev.-Date: 08.10.13

Visa: WARO

Series	245	Ordering No.	24524-KA32-0001
Projection E	DN	Flange	ISO-KF
	16		
Dimensional Drawing	326928	Rev.	A