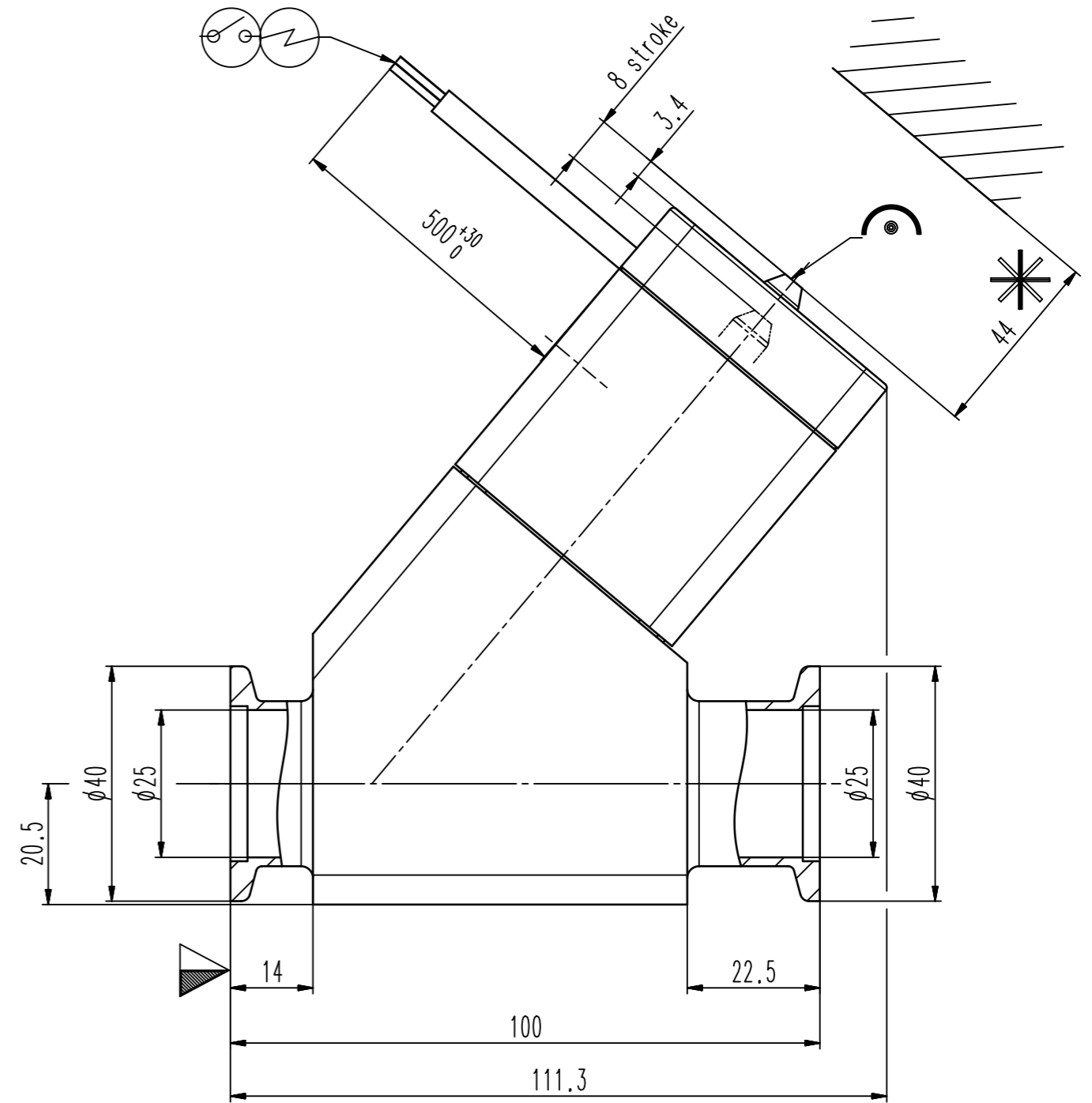
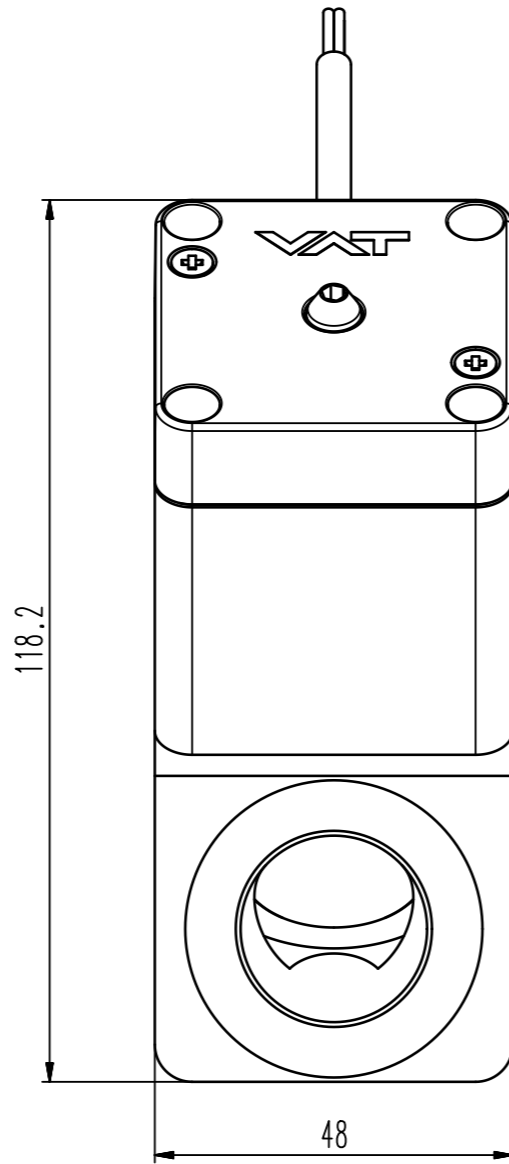
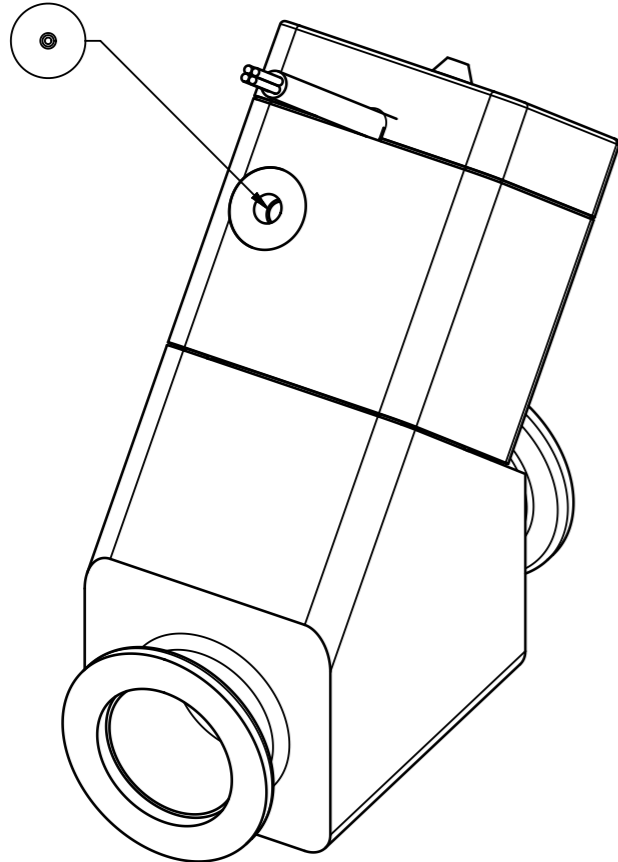


female M5  
(10-32 UNF suitable)  
4-8 bar



- ▼ Seat side
- ⊕ Comp. air connection
- ⊖ Electrical connection
- ⊙ Leak detection port
- ⊚ Mech. pos. indication
- ⊛ Position indicator
- ⊜ Required for dismantling
- ⊝ Emergency actuation
- ⊞ For attachment
- ⊟ Bake-out area
- ⊠ Differential pumping port

### Vacuum inline valve



VAT Vakuumventile AG

CH-9469 Haag, Switzerland  
Tel ++41 81 7716161 Fax ++41 81 7714830

Rev.-Date: 18.07.13

Visa: SLU

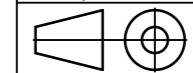
Series

245

Ordering No.

24528-KA22-0001

Projection E



DN

25

Flange

ISO-KF

Dimensional Drawing

703331

Rev.