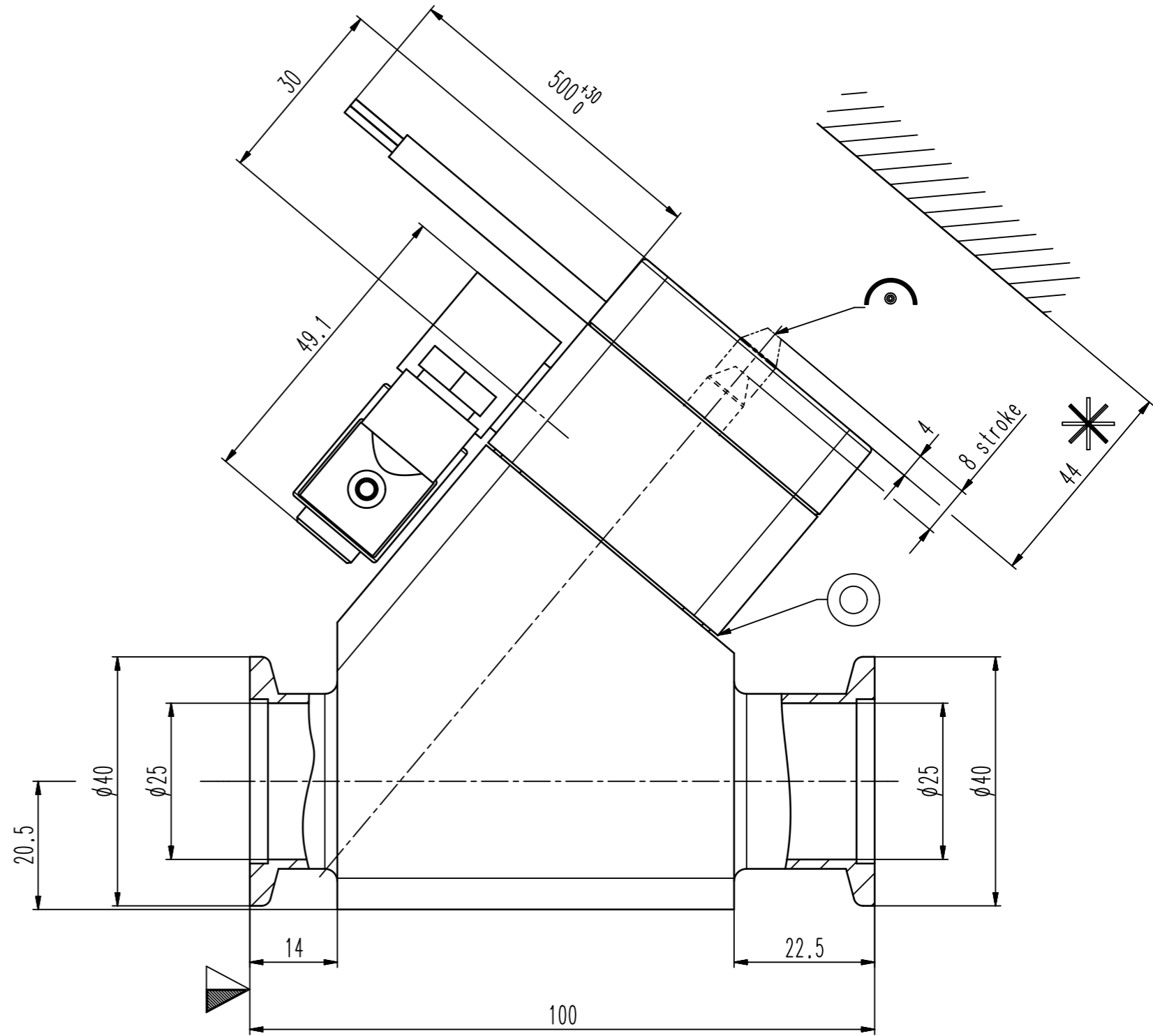
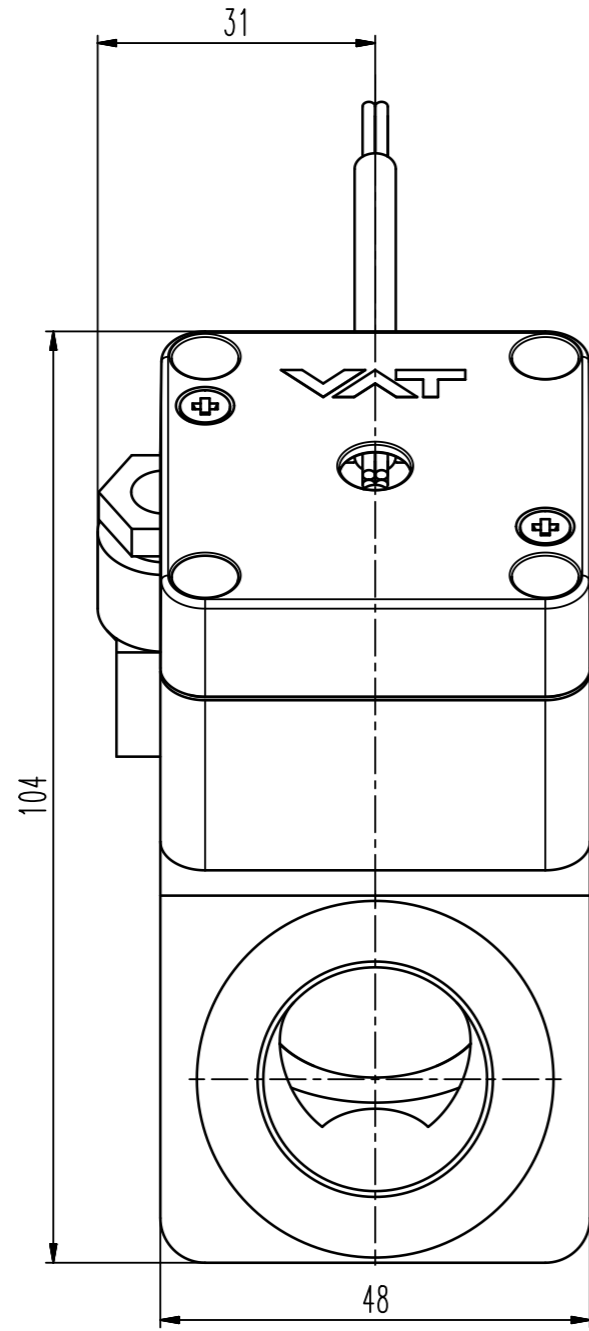


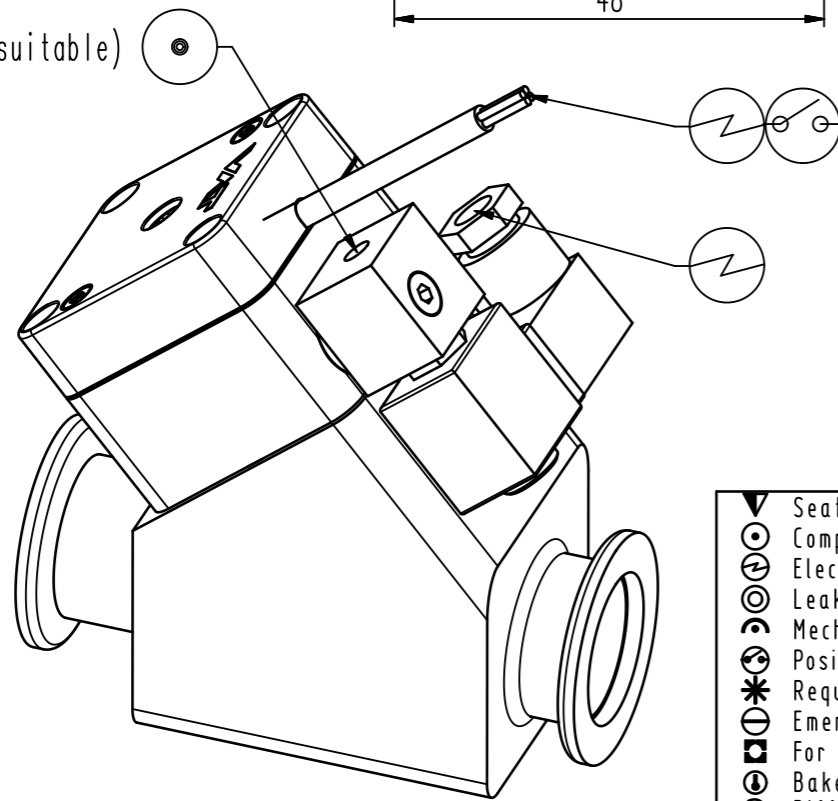
This drawing is the property of VAT.

Revision

Customer number



female M5
(10-32 UNF suitable)
4-8 bar



- ▼ Seat side
- ⊕ Comp. air connection
- ⊖ Electrical connection
- ⊙ Leak detection port
- ⊚ Mech. pos. indication
- ⊛ Position indicator
- ⊜ Required for dismantling
- ⊝ Emergency actuation
- ⊞ For attachment
- ⊟ Bake-out area
- ⊠ Differential pumping port

Vacuum inline valve



VAT Vakuumentile AG
CH-9469 Haag, Switzerland
Tel ++41 81 7716161 Fax ++41 81 7714830

Date: 18.11.04
Name: VEA

Series	245	Ordering No.	24528-KA41-0001
Projection E	DN	Flange	
	25	ISO-KF	
Dimensional Drawing	256658	Rev.	C