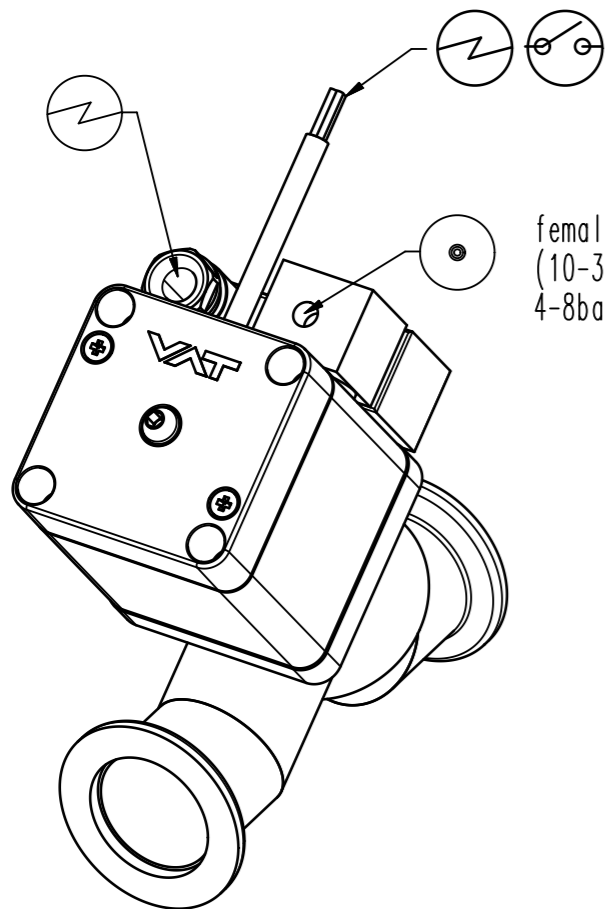
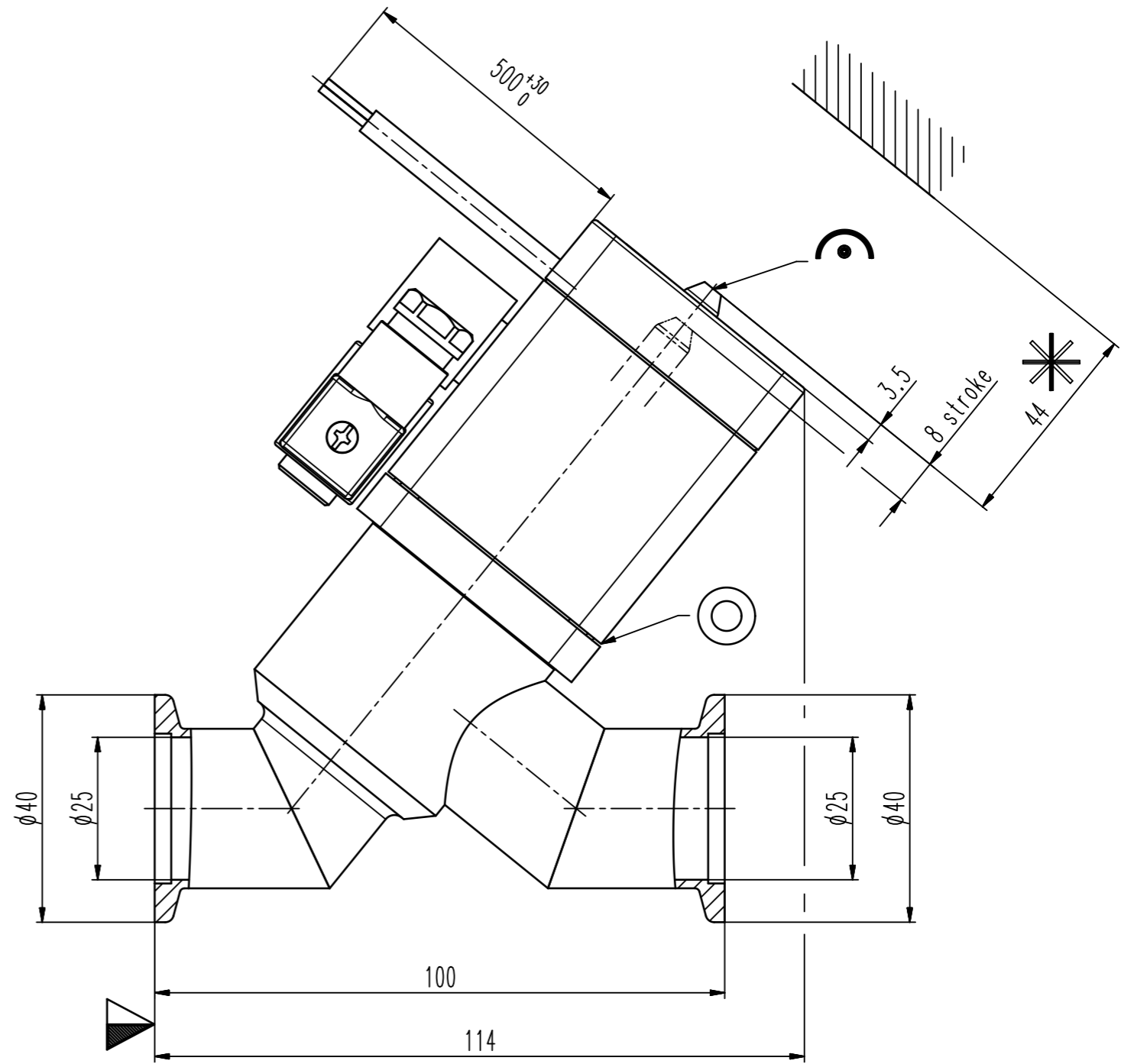
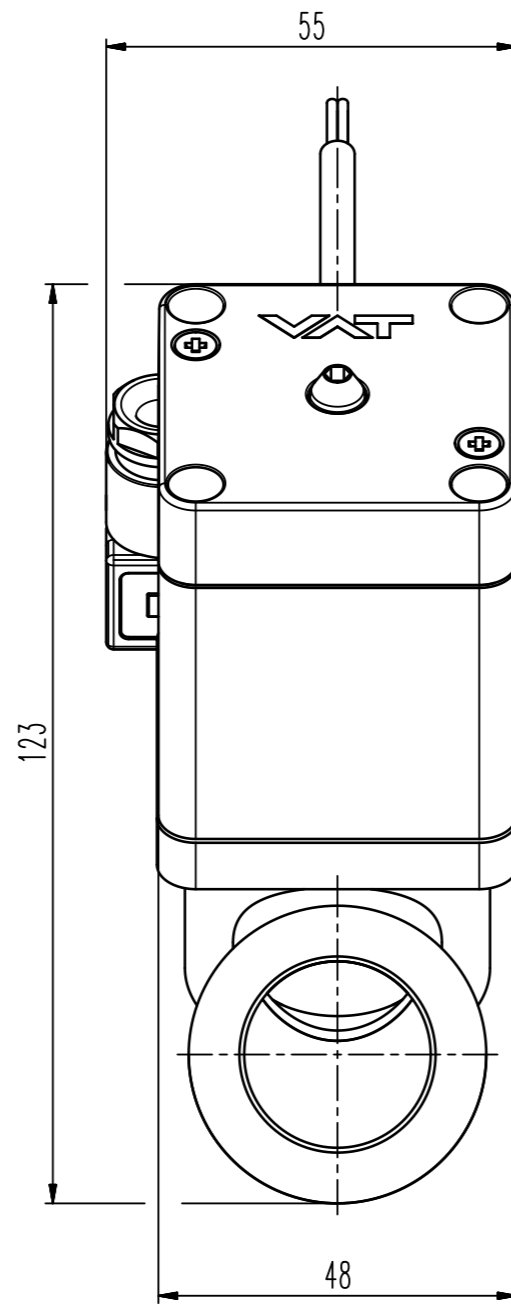


This drawing is the property of VAT.

Revision

Customer number



female M5
(10-32 UNF suitable)
4-8bar

- ▼ Seat side
- ⊙ Comp. air connection
- ⊙ Electrical connection
- ⊙ Leak detection port
- ⊙ Mech. pos. indication
- ⊙ Position indicator
- ⊙ Required for dismantling
- ⊙ Emergency actuation
- ⊙ For attachment
- ⊙ Bake-out area
- ⊙ Differential pumping port

Vacuum inline valve



VAT Vakuumventile AG
CH-9469 Haag, Switzerland
Tel ++41 81 7716161 Fax ++41 81 7714830

Rev.-Date: 06.11.13
Visa: RIA

Series	245	Ordering No.	24528-KE42-0002
Projection E	DN	Flange	
	25	ISO-KF	
Dimensional Drawing	716342	Rev.	