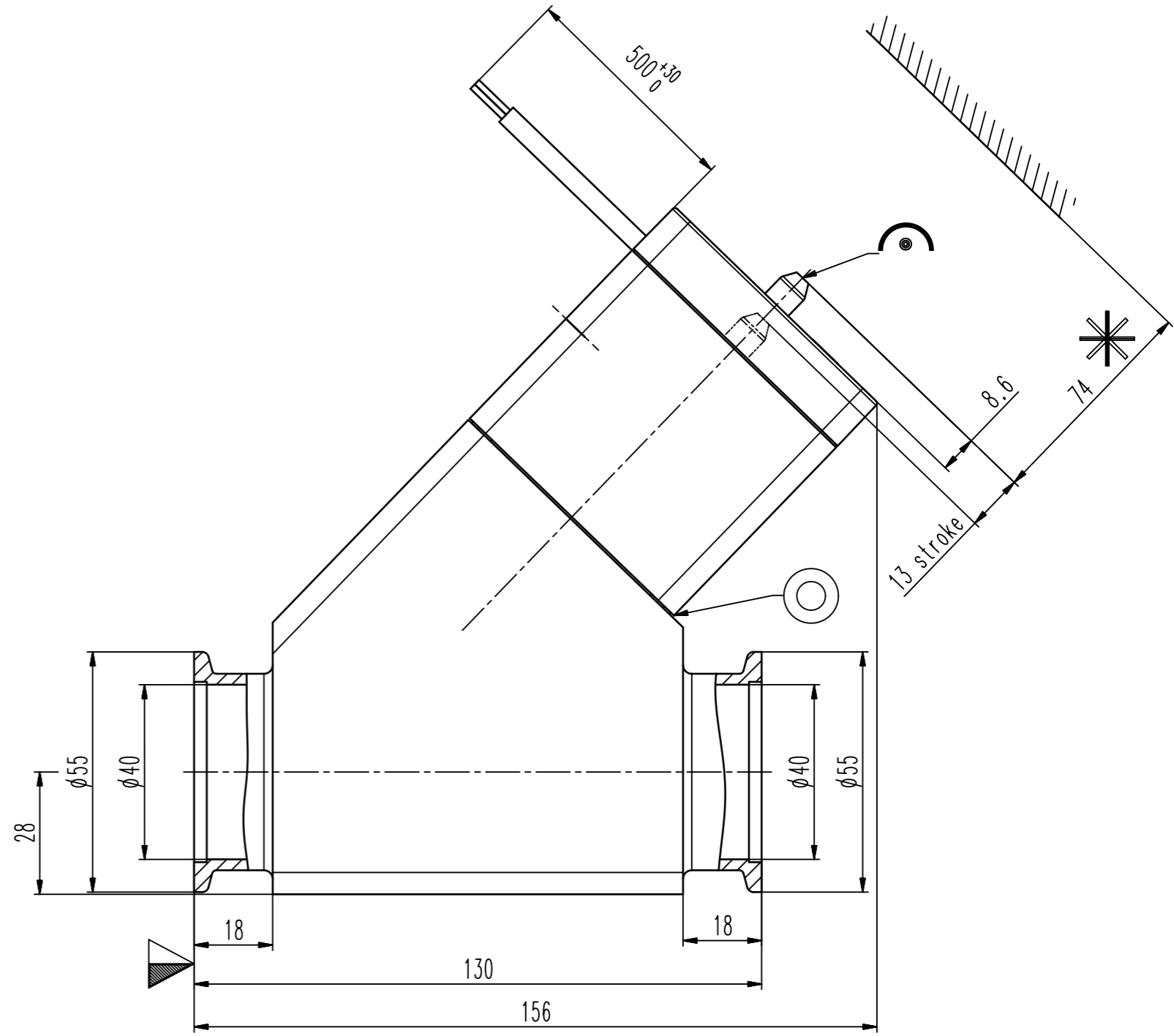
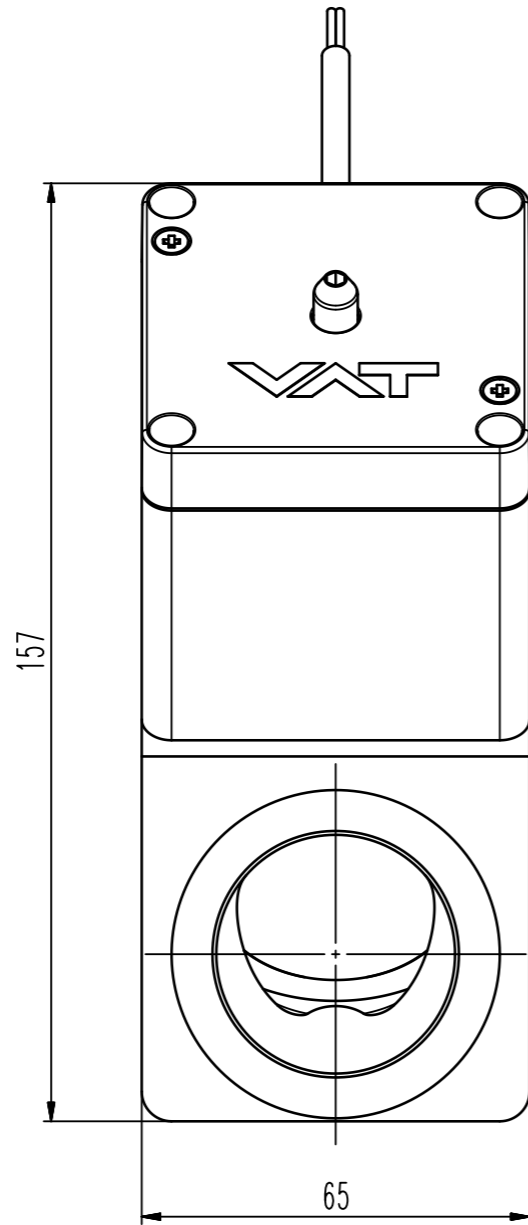


female M5  
(10-32 UNF suitable)  
4-8 bar



- ▼ Seat side
- ⊙ Comp. air connection
- ⊕ Electrical connection
- ⊖ Leak detection port
- ⊙ Mech. pos. indication
- ⊙ Position indicator
- ⊙ \* Required for dismantling
- ⊙ Emergency actuation
- ⊙ For attachment
- ⊙ Bake-out area
- ⊙ Differential pumping port

### Vacuum inline valve



VAT Vakuumventile AG

CH-9469 Haag, Switzerland  
Tel ++41 81 7716161 Fax ++41 81 7714830

Rev.-Date: 25.07.13

Visa: RIA

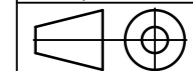
Series

245

Ordering No.

24532-KA22-0001

Projection E



DN

40

Flange

ISO-KF

Dimensional  
Drawing

704125

Rev.