



VAT Vakuumventile AG
CH-9469 Haag, Schweiz

Product data sheet No. 258464EA

Vacuum Inline Valve, Series 245, DN 40 (ID 1 1/2 ")

Ordering No. 24532-KA31 or 24532-KE31

Description

Flanges	ISO-KF40
Actuator	- pneumatic, single acting with closing spring - with solenoid - without position indicator
Feedthrough	shaft feedthrough

Technical data

Leak rate	- body & valve seat	$< 1 \cdot 10^{-9}$ mbar ls ⁻¹
Pressure range		$1 \cdot 10^{-7}$ mbar to 5 bar, abs
Differential pressure on the plate:		
- in opening direction		≤ 2 bar
- in closing direction		≤ 5 bar
Differential pressure at opening:		
- in opening direction		≤ 1 bar
- in closing direction		≤ 1 bar
		≤ 3 bar with reduced cycle lifetime (min. 450 000) (compressed air pressure > 5 bar required to open)
Closing time		$\leq 0,55$ sec.
Admissible temperature:		
- valve body, actuator		0°C - 120°C
- solenoid		0°C - 80°C
Cycles until first service		3 million (T _{max} 80°C, differential pressure max. 1 bar)
Material:		
- valve body	24532-KA31 Aluminum (AlMgSi)	24532-KE31 Stainless Steel (AISI 304)
- pneumatic actuator	Aluminum	Aluminum
- valve plate	AISI 316L	AISI 316L
- feedthrough	Aluminum	Aluminum
- bonnet & plate seal	Viton	Viton
- actuator o-rings	Viton	Viton
Mounting position		any
Volume of air cylinder		0,035 l / 0,0012 ft ³
Compressed air pressure for pneumatic		4 - 8 bar / 60 - 115 psi
Compressed air connection		M5 female (option others)
Solenoid		24V / DC (option others)

Created by: C. Baur	Release date: 2005.03.30	Page 1 of 2
Modified by::	Release date:	258464EA

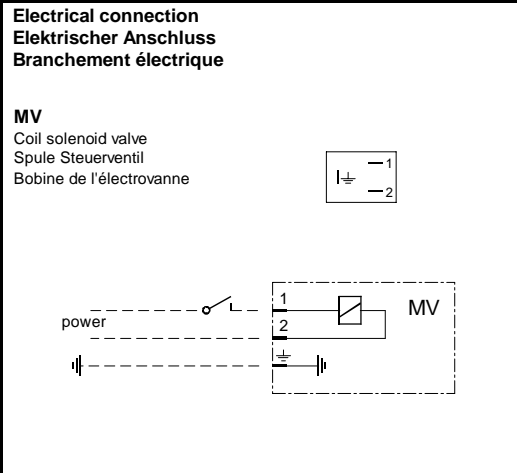


VAT Vakuumventile AG
CH-9469 Haag, Schweiz

Product data sheet No. 258464EA

Vacuum Inline Valve, Series 245, DN 40 (ID 1 1/2 ")

Ordering No. 24532-KA31 or 24532-KE31



Created by: C. Baur

Release date: 2005.03.30

Page 2 of 2

Modified by::

Release date:

258464EA