



VAT Vakuumventile AG
CH-9469 Haag, Schweiz

Product data sheet No. 258468EB

Vacuum Inline Valve, Series 245, DN 50 (ID 2'')

Ordering No. 24534-KA21 or 24534-KE21

Description

Flanges	ISO-KF50
Actuator	- pneumatic, single acting with closing spring - without solenoid - with position indicator "open" and "closed"
Feedthrough	shaft feedthrough

Technical data

Leak rate	- body & valve seat	$< 1 \cdot 10^{-9}$ mbar ls ⁻¹
Pressure range		$1 \cdot 10^{-7}$ mbar to 5 bar, abs
Differential pressure on the plate:		
- in opening direction		≤ 2 bar
- in closing direction		≤ 5 bar
Differential pressure at opening:		
- in opening direction		≤ 1 bar
- in closing direction		≤ 1 bar
		≤ 3 bar with reduced cycle lifetime (min. 450 000) (compressed air pressure > 5 bar required to open)
Closing time		$\leq 0,65$ sec.
Admissible temperature:		
- valve body, actuator		0°C - 120°C
- position indicator		0°C - 80°C (option 120°C)
Cycles until first service		3 million (T_{max} 80°C, differential pressure max. 1 bar)
Material:		
- valve body	24534-KA21 Aluminum (AlMgSi)	24534-KE21 Stainless Steel (AISI 304)
- pneumatic actuator	Aluminum	Aluminum
- valve plate	AISI 316L	AISI 316L
- feedthrough	Aluminum	1.4435 / 1.4301
- bonnet & plate seal	Viton	Viton
- actuator o-rings	Viton	Viton
Mounting position		any
Volume of air cylinder		0,047 l / 0,0017 ft ³
Compressed air pressure for pneumatic		4 - 8 bar / 60 - 115 psi
Compressed air connection		M5 female (option others)
Position indicator: contact rating		
- Voltage		≤ 50 V AC / DC
- Current		≤ 0.1 A
- Power		≤ 1 W

Created by: C. Baur	Release date: 2005-03-30	Page 1 of 2
Modified by: M.Eggenberger	Release date: 2009-10-19	258468EB

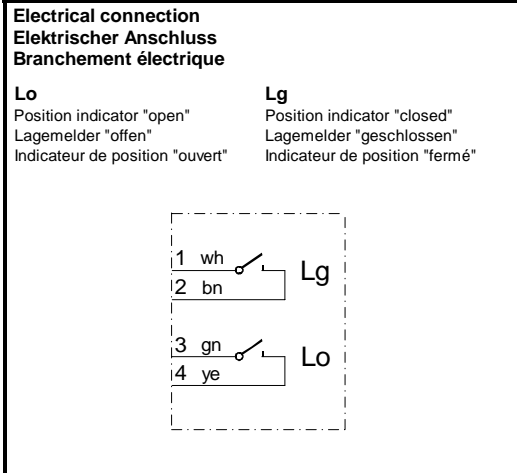


VAT Vakuumventile AG
CH-9469 Haag, Schweiz

Product data sheet No. 258468EB

Vacuum Inline Valve, Series 245, DN 50 (ID 2")

Ordering No. 24534-KA21 or 24534-KE21



Created by: C. Baur

Release date: 2005-03-30

Page 2 of 2

Modified by: M.Eggenberger

Release date: 2009-10-19

258468EB