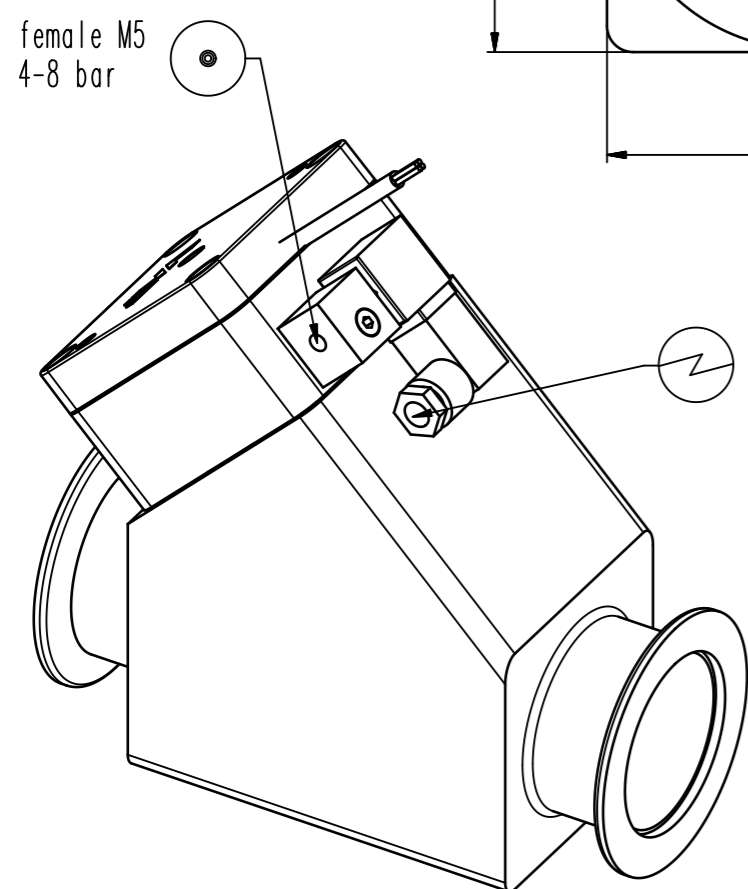
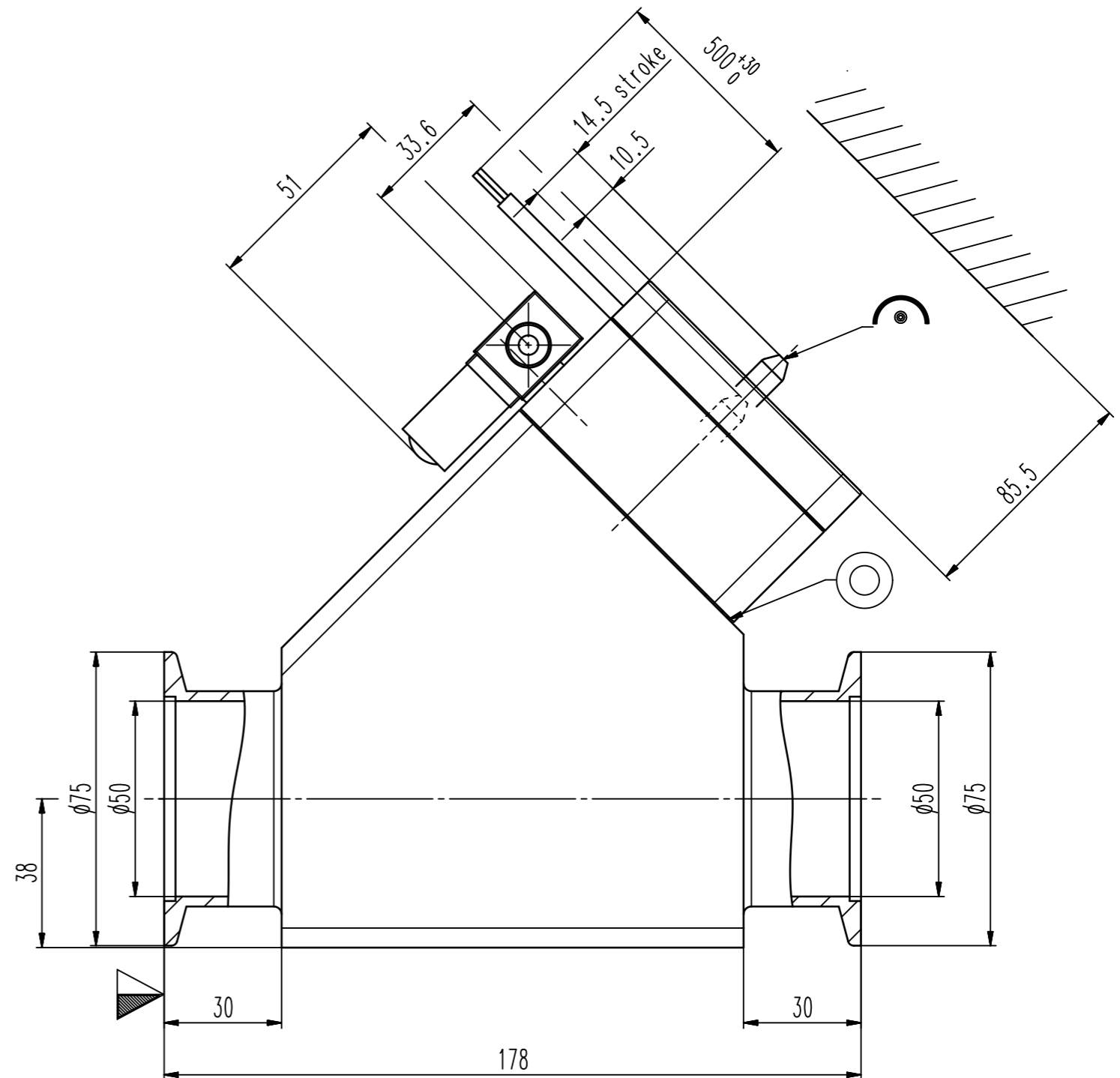
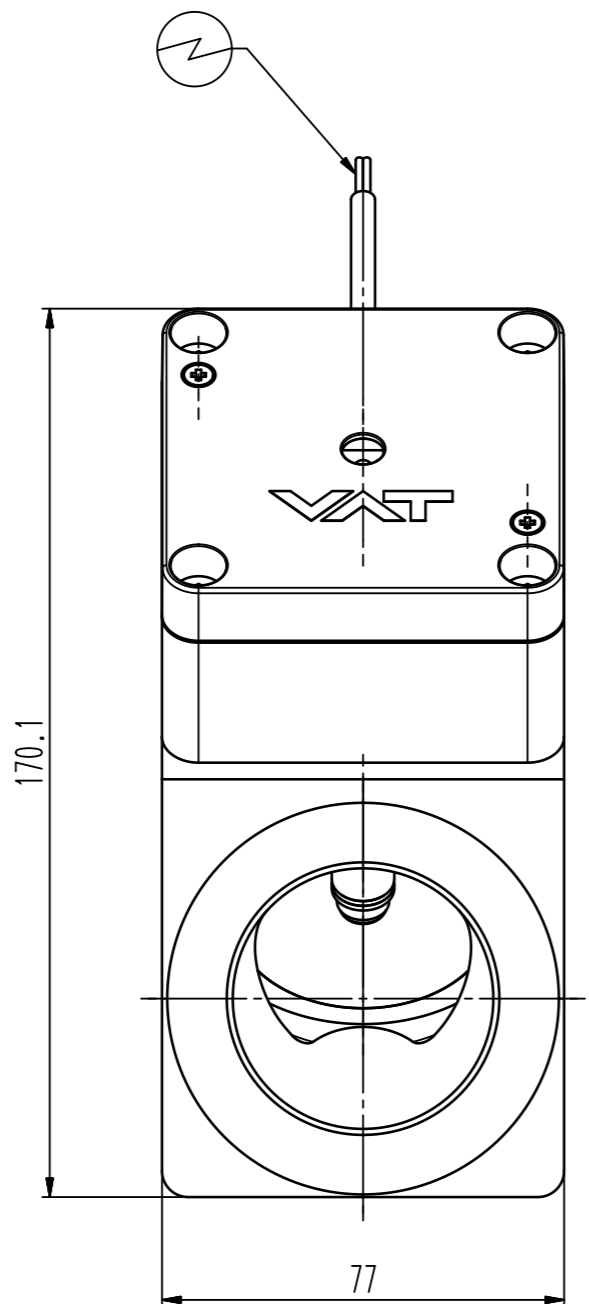


This drawing is the property of VAT.

Revision

Customer number



- ▼ Seat side
- ⊙ Comp. air connection
- ⊙ Electrical connection
- ⊙ Leak detection port
- ⊙ Mech. pos. indication
- ⊙ Position indicator
- ⊙ Required for dismantling
- ⊙ Emergency actuation
- ⊙ For attachment
- ⊙ Bake-out area
- ⊙ Differential pumping port

Vacuum inline valve		Series	Ordering No.	
		245	24534-KA41-0001	
VAT Vakuumentile AG CH-9469 Haag, Switzerland Tel ++41 81 7716161 Fax ++41 81 7714830		Projection E	DN	Flange
			50	ISO-KF
Date: 14.02.05		Dimensional Drawing	Rev.	
Name: VEA		258921	B	