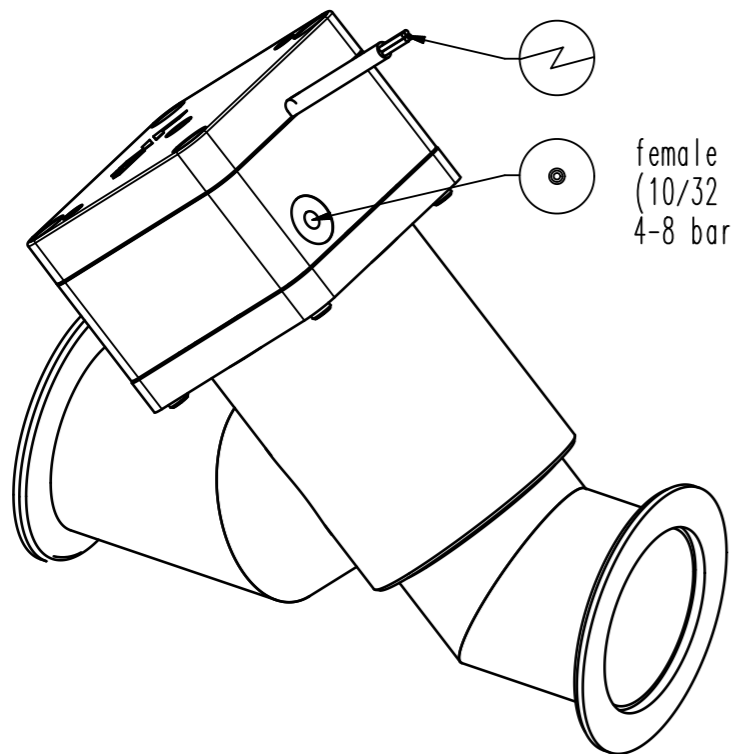
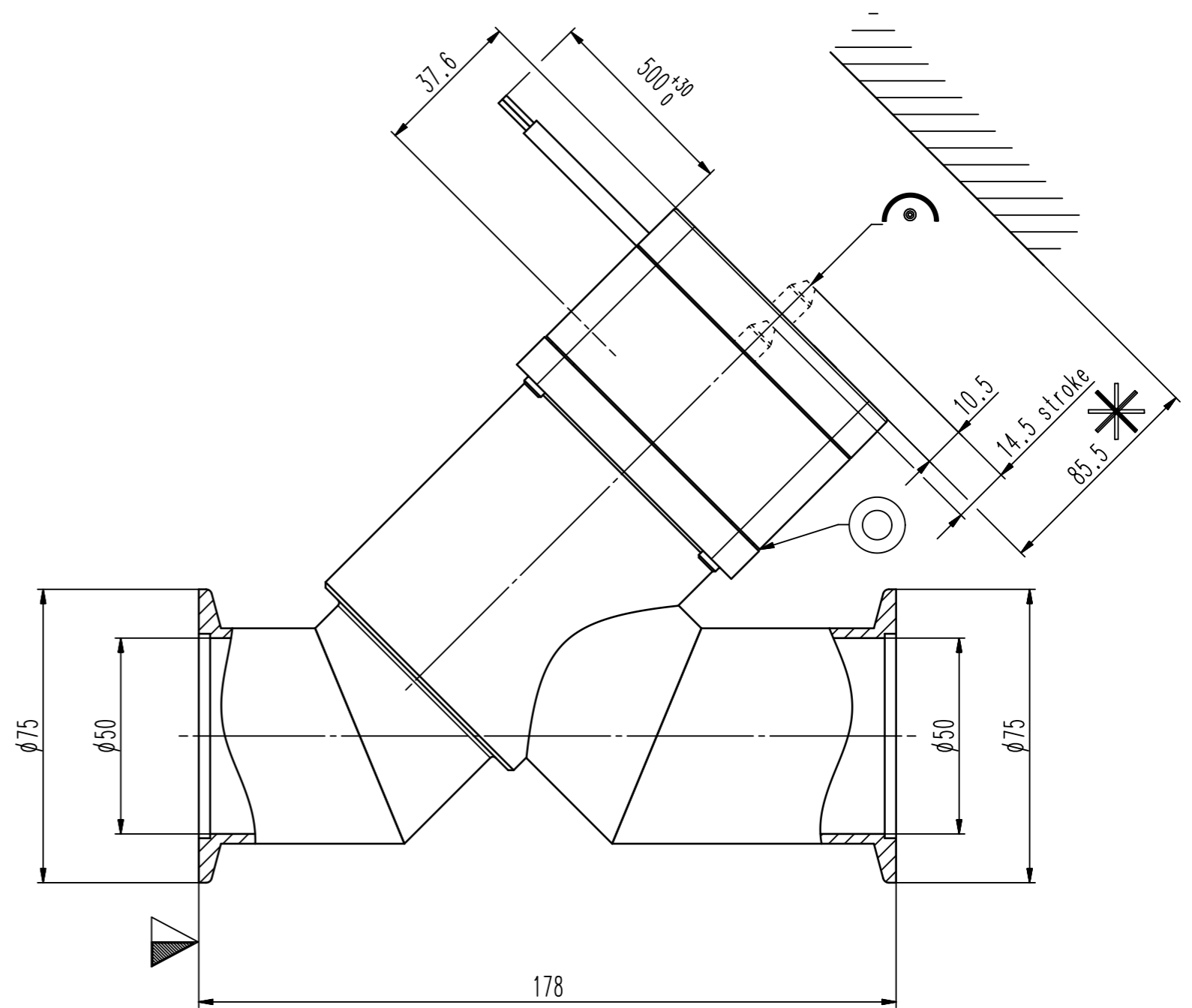
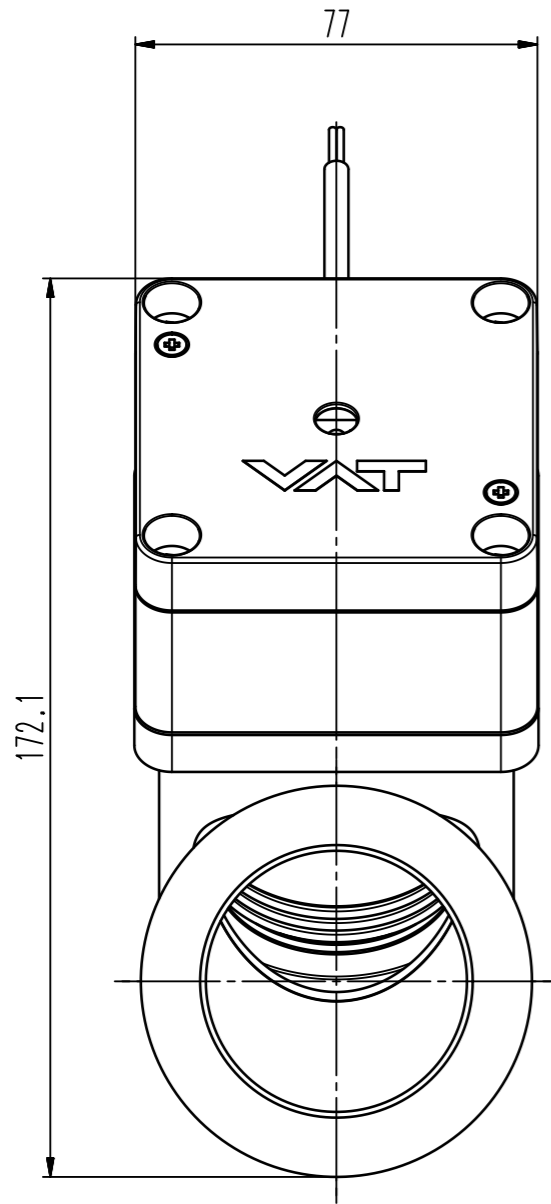


This drawing is the property of VAT.

Revision

Customer number



female M5  
(10/32 UNF suitable)  
4-8 bar

- ▼ Seat side
- ⊙ Comp. air connection
- ⊙ Electrical connection
- ⊙ Leak detection port
- ⊙ Mech. pos. indication
- ⊙ Position indicator
- ⊙ Required for dismantling
- ⊙ Emergency actuation
- ⊙ For attachment
- ⊙ Bake-out area
- ⊙ Differential pumping port

### Vacuum inline valve



VAT Vakuumentile AG  
CH-9469 Haag, Switzerland  
Tel ++41 81 7716161 Fax ++41 81 7714830

Date: 15.10.09  
Name: EMI

|                     |     |              |                 |
|---------------------|-----|--------------|-----------------|
| Series              | 245 | Ordering No. | 24534-KE21-0001 |
| Projection E        | ⊙   | DN           | 50              |
|                     |     | Flange       | ISO-KF          |
| Dimensional Drawing |     |              | 421008          |
|                     |     | Rev.         |                 |