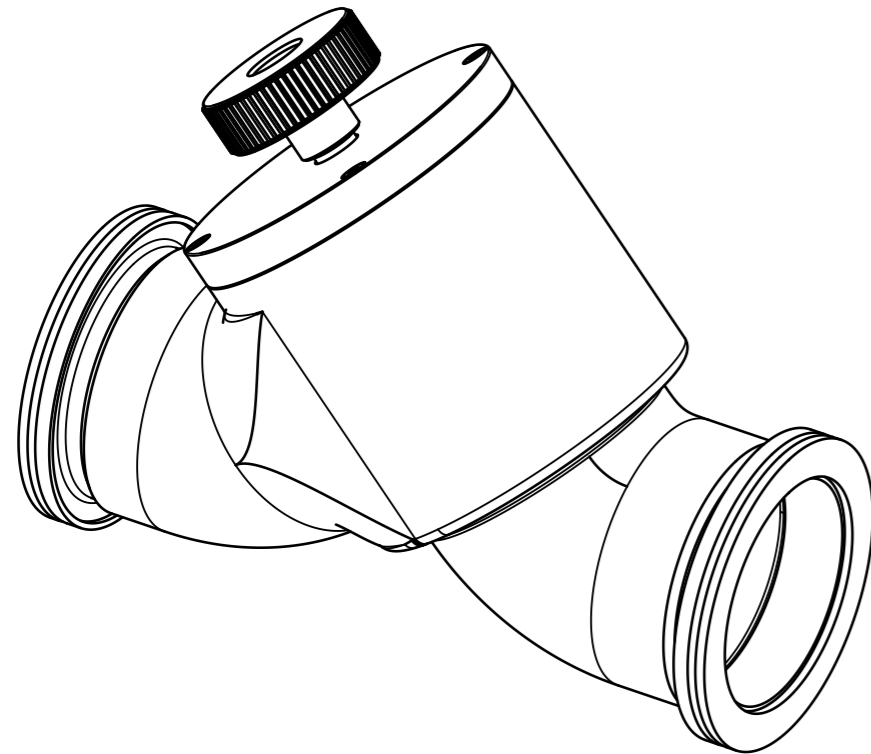
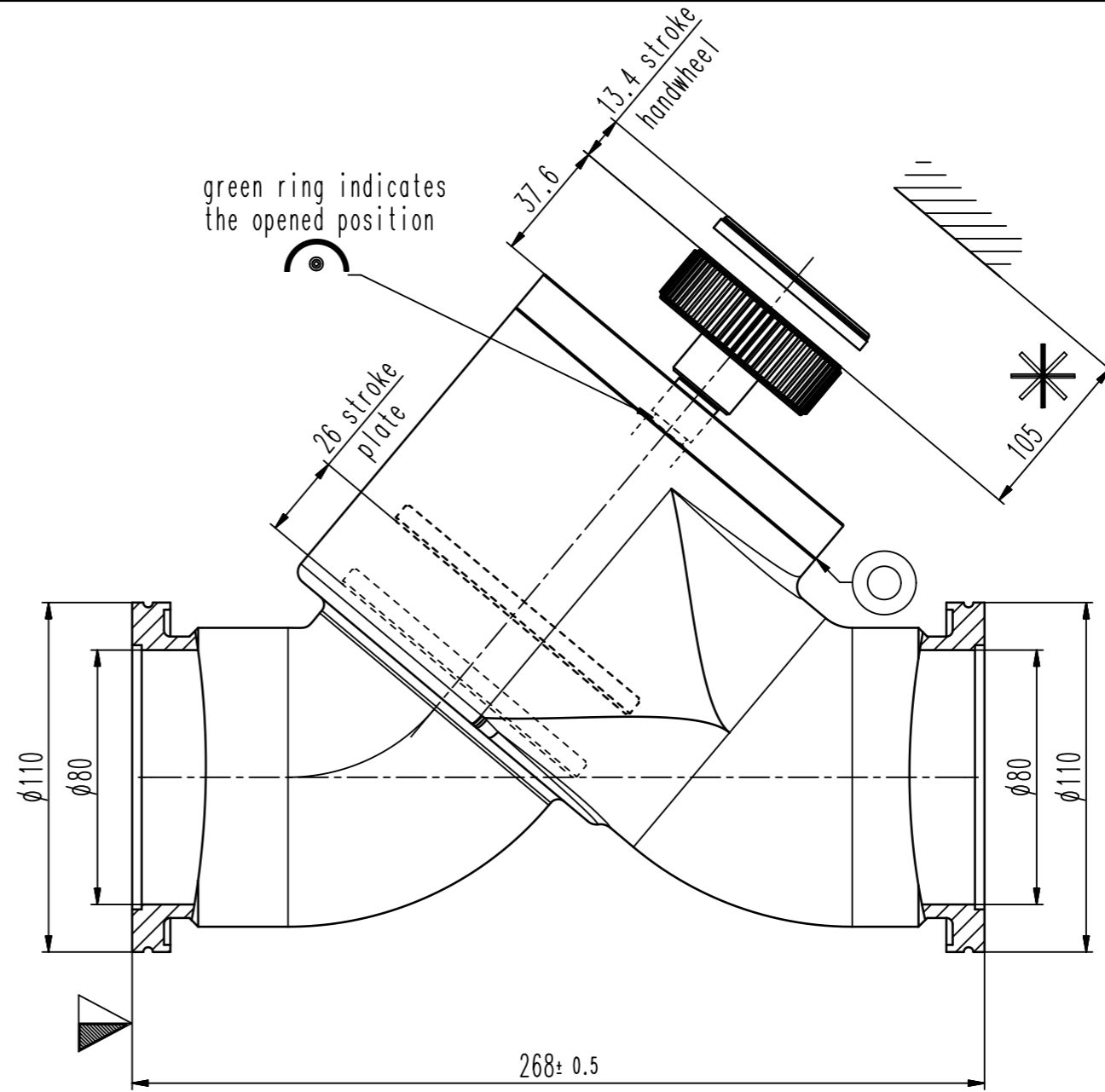
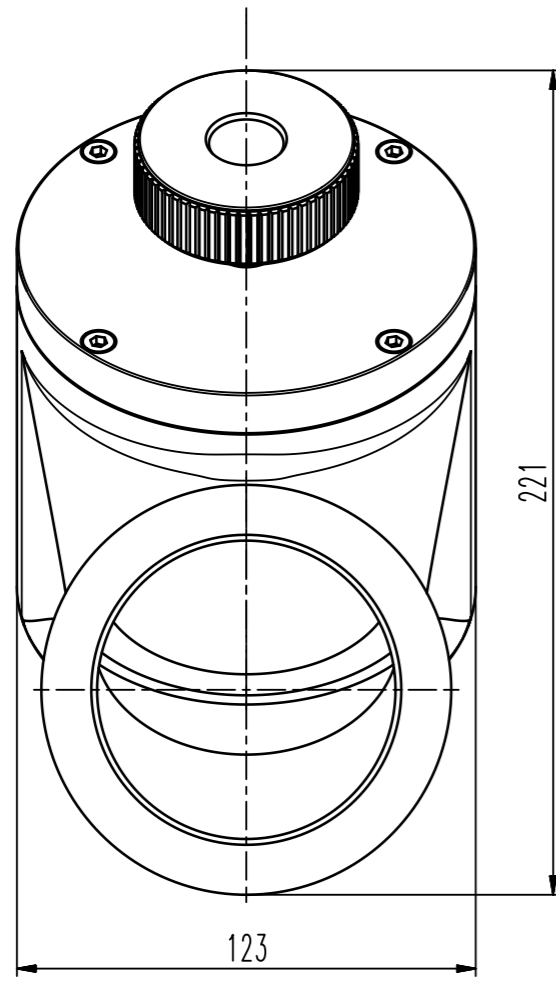


This drawing is the property of VAT.

Revision

Customer number



- ▼ Seat side
- ⊙ Comp. air connection
- ⊙ Electrical connection
- ⊙ Leak detection port
- ⊙ Mech. pos. indication
- ⊙ Position indicator
- ⊙ Required for dismantling
- ⊙ Emergency actuation
- ⊙ For attachment
- ⊙ Bake-out area
- ⊙ Differential pumping port

HV inline valve



VAT Vakuumentile AG
 CH-9469 Haag, Switzerland
 Tel ++41 81 7716161 Fax ++41 81 7714830

Date: 02.03.10
 Name: LIN

Series	265	Ordering No.	24538-QA01-0001
Projection E	DN	Flange	
	80	ISO-K	
Dimensional Drawing	437205	Rev.	