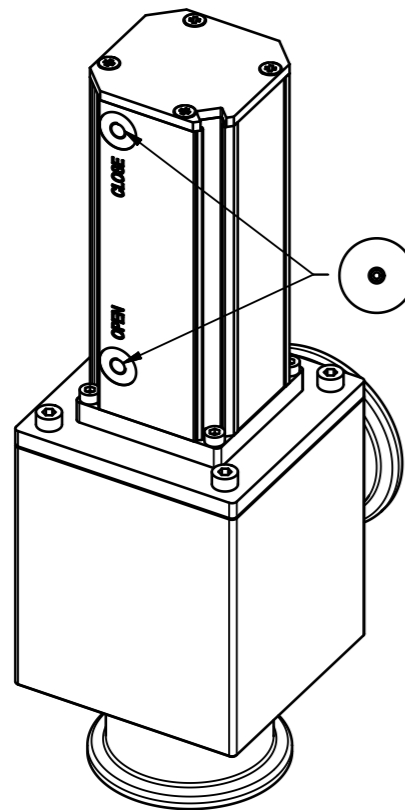
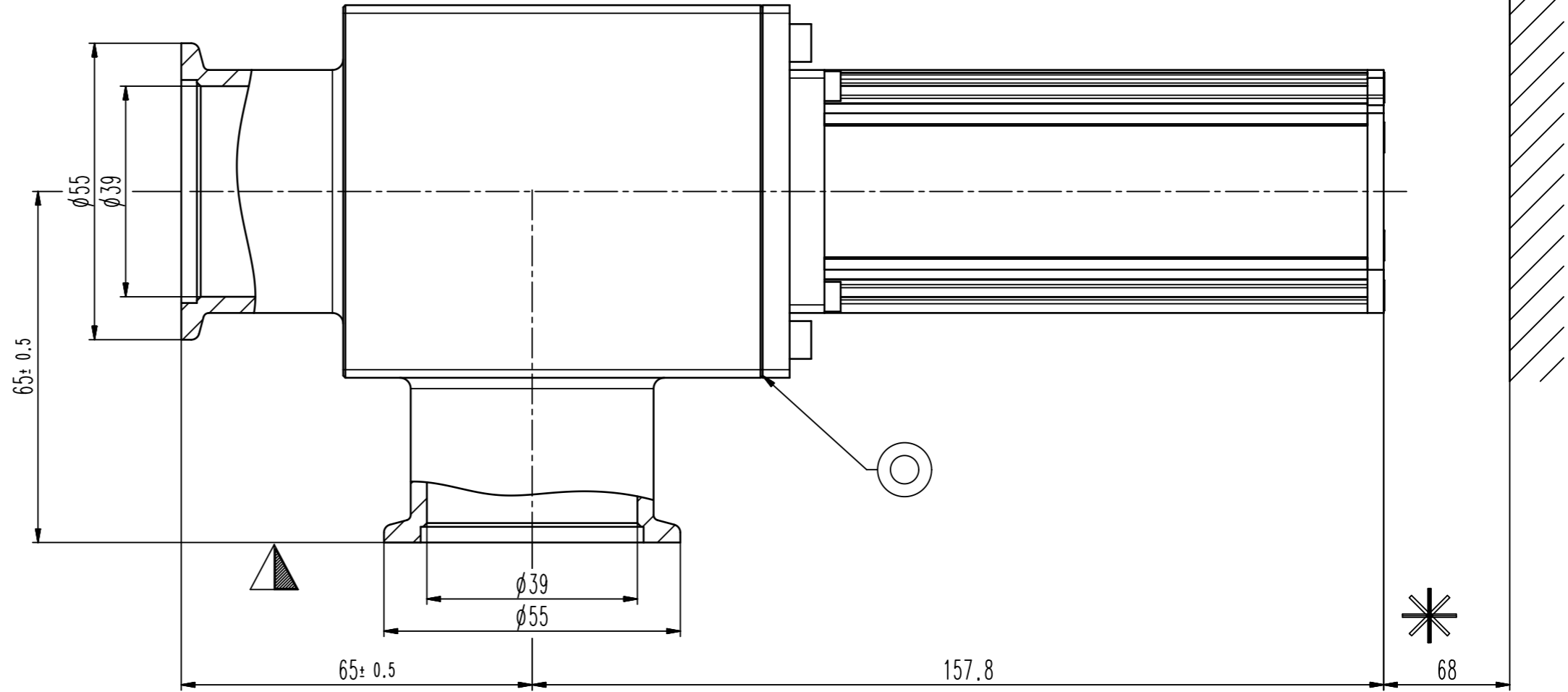
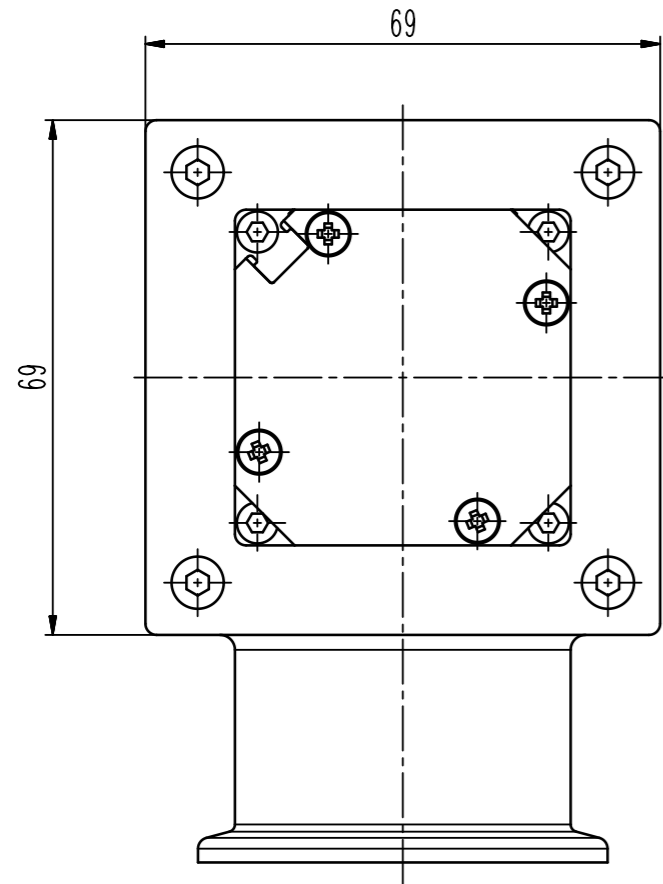


This drawing is the property of VAT.

Revision

Customer number



female M5
(10-32 UNF suitable)
4 - 8 bar

- ▼ Seat side
- ⊙ Comp. air connection
- ⊙ Electrical connection
- ⊙ Leak detection port
- ⊙ Mech. pos. indication
- ⊙ Position indicator
- ⊙ Required for dismantling
- ⊙ Emergency actuation
- ⊙ For attachment
- ⊙ Bake-out area
- ⊙ Differential pumping port

HV angle valve



VAT Vakuumventile AG
CH-9469 Haag, Switzerland
Tel ++41 81 7716161 Fax ++41 81 7714830

Rev.-Date: 06.04.11
Visa: GRX

Series	250	Ordering No.	25032-KA14-0001
Projection E	DN	Flange	
	40	ISO-KF	
Dimensional Drawing	486156	Rev.	