



VAT Vakuumventile AG
CH-9469 Haag, Schweiz

Product data sheet No. 292678EB
HV Inline Valve, Series 251, DN 40 (ID 1 1/2")
Ordering No. 25132-KA24

Description

Flanges	ISO-KF40
Actuator	- pneumatic, double acting - with position indicator
Feedthrough	rotary feedthrough

Technical data

Leak rate:		
	- Body	$< 1 \cdot 10^{-9} \text{ mbar ls}^{-1}$
	- Valve seat	$< 1 \cdot 10^{-9} \text{ mbar ls}^{-1}$
Molecular flow conductance		55 ls^{-1}
Pressure range		$1 \cdot 10^{-8} \text{ mbar}$ to 3 bar (abs)
Differential pressure on the plate		
	- in opening direction	$\leq 1.2 \text{ bar}$
	- in closing direction	$\leq 3.0 \text{ bar}$
Differential pressure at opening		$\leq 1.2 \text{ bar}$
Closing time / opening time		0.6s / 0.6s
Admissible temperature:		
	- Valve	$0^{\circ}\text{C} - 120^{\circ}\text{C}$
	- Position indicator	$0^{\circ}\text{C} - 80^{\circ}\text{C}$
Cycles until first service		100'000 ($T_{\text{max}}80^{\circ}\text{C}$)
Material:		
	- Body	EN AW 6082
	- Gate	EN AW 6082
	- Bonnet flange	EN AW 6082
	- Shaft	AISI 316L (1.4435) with Ni-PTFE coating
	- Gate fixation screw / washer	A4-80 with Ni-PTFE coating
	- Gate seal	VITON
	- Bonnet seal	VITON
	- Feedthrough seal	VITON
Weight		approx. 1.7 kg / 3.7 lbs
Mounting position		any
Volume of air cylinder		0.032 l / 0.0011 ft ³
Compressed air pressure for pneumatic		4 - 8 bar / 58 - 116 psi
Compressed air connection		female M5 (10-32 UNF suitable)

Created by: M. Eggenberger	Release date: 2011-12-02	Page 1 of 2
Modified by: M. Eggenberger	Release date: 2012-07-23	292678EB



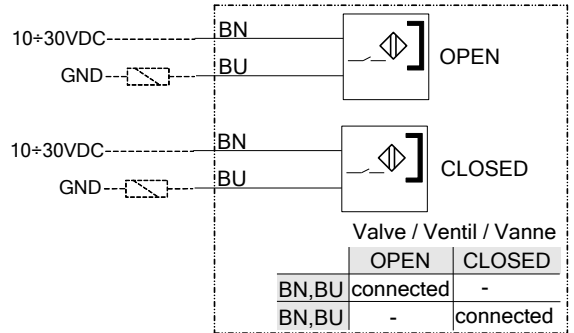
VAT Vakuumventile AG
CH-9469 Haag, Schweiz

Product data sheet No. 292678EB
HV Inline Valve, Series 251, DN 40 (ID 1 1/2 ")
Ordering No. 25132-KA24

Position Indicator:

- Type
- Switching output
- Visual indication
- Voltage
- Current
- Cable length
- Wire

2-wire magnetic sensor
PNP (NPN possible)
LED
10 - 30 V DC
5 - 100 mA
approx. 2 m
AWG26 (0.14 mm²)



Created by: M. Eggenberger	Release date: 2011-12-02	Page 2 of 2
Modified by: M. Eggenberger	Release date: 2012-07-23	292678EB