



VAT Vakuumventile AG
CH-9469 Haag, Schweiz

Product data sheet No. 292692EB
HV 3/2 Way Valve, Series 252, DN 16 (ID 5/8 ")
Ordering No. 25224-EA24

Description

Flanges	ISO-KF16 claw
Actuator	- pneumatic, double acting - with position indicator
Feedthrough	rotary feedthrough

Technical data

Leak rate:		
	- Body	$< 1 \cdot 10^{-9} \text{ mbar ls}^{-1}$
	- Valve seat	$< 1 \cdot 10^{-9} \text{ mbar ls}^{-1}$
Molecular flow conductance		
	- Direction 1 \Leftrightarrow 2	8 ls ⁻¹
	- Direction 1 \Leftrightarrow 3	7 ls ⁻¹
Pressure range		$1 \cdot 10^{-8} \text{ mbar}$ to 3 bar (abs)
Differential pressure on the plate		
	- in opening direction	$\leq 1.2 \text{ bar}$
	- in closing direction	$\leq 3.0 \text{ bar}$
Differential pressure at opening		$\leq 1.2 \text{ bar}$
Closing time / opening time		0.6s / 0.6s
Admissible temperature:		
	- Valve	0°C - 120°C
	- Position indicator	0°C - 80°C
Cycles until first service		100'000 (T _{max} 80°C)
Material:		
	- Body	EN AW 6082
	- Gate	EN AW 6082
	- Bonnet flange	EN AW 6082
	- Shaft	AISI 316L (1.4435) with Ni-PTFE coating
	- Gate fixation screw / washer	A4-80 with Ni-PTFE coating
	- Gate seal	VITON
	- Bonnet seal	VITON
	- Feedthrough seal	VITON
Weight		approx. 1.4 kg / 3 lbs
Mounting position		any
Volume of air cylinder		0.032 l / 0.0011 ft ³
Compressed air pressure for pneumatic		4 - 8 bar / 58 - 116 psi
Compressed air connection		female M5 (10-32 UNF suitable)

Created by: M. Eggenberger	Release date: 2011-12-02	Page 1 of 2
Modified by: M. Eggenberger	Release date: 2012-08-21	292692EB



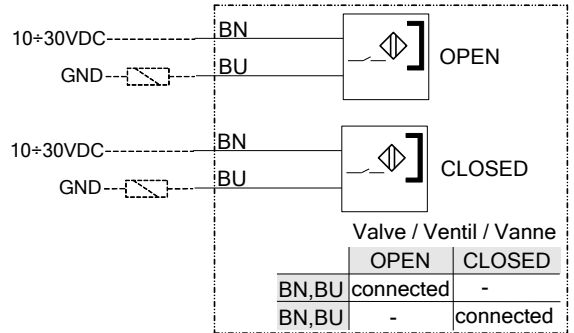
VAT Vakuumventile AG
CH-9469 Haag, Schweiz

Product data sheet No. 292692EB
HV 3/2 Way Valve, Series 252, DN 16 (ID 5/8 ")
Ordering No. 25224-EA24

Position Indicator:

- Type
- Switching output
- Visual indication
- Voltage
- Current
- Cable length
- Wire

2-wire magnetic sensor
PNP (NPN possible)
LED
10 - 30 V DC
5 - 100 mA
approx. 2 m
AWG26 (0.14 mm²)



Created by: M. Eggenberger	Release date: 2011-12-02	Page 2 of 2
Modified by: M. Eggenberger	Release date: 2012-08-21	292692EB