



VAT Vakuumventile AG
CH-9469 Haag, Schweiz

Product data sheet

HV angle valve
Series 264, DN 16 (ID 5/8")
Ordering No. 26424-KE61-0002

Description

Flange	ISO-KF 16
Actuator	Electromagnetic, single acting with closing spring – without solenoid valve – with position indicator “open” and “closed”
Feedthrough	Shaft feedthrough

Technical data

Leak rate	$< 1 \cdot 10^{-9}$ mbar ls ⁻¹	
Pressure range	$1 \cdot 10^{-8}$ mbar to 5 bar (abs)	
Differential pressure on the plate	≤ 2 bar	
Conductance (molecular flow)	5 ls ⁻¹	
Closing time	≤ 0.2 sec.	
Cycles until first service (T _{max} 50 °C, under clean conditions)	200 000	
Maximum operating frequency	15 cycles per minute at 20°C	
Temperature (Maximum values: depending on operating conditions and sealing materials)	0°C - 50 °C	
Material	– Valve body – Plate – Bellows	AISI 304 (1.4301, 1.4305) AISI 316L (1.4404, 1.4435) AISI 316L (1.4404, 1.4435) AISI 316 Ti (1.4571)
Seals		FKM (Viton®)
Weight		1.4 kg / 3.1 lbs
Mounting position		any
Behavior in case of power failure	– Valve closed – Valve opened – During actuation	valve remains closed and leaktight valve closes leaktight valve closes leaktight

Created by: POM	Release date: 13.09.2022	1/2
Modified by:	Release date:	1184612EA



VAT Vakuumventile AG
CH-9469 Haag, Schweiz

Product data sheet

HV angle valve

Series 264, DN 16 (ID 5/8")

Ordering No. 26424-KE61-0002

Electrical connections

Line Voltage control

With position indicator

Type

D sub 9 pin signal con. and power connector

Voltage

100...115VAC or
200... 240 VAC, 50/60 Hz
(check label on valve)

Power

Pick up 700 W (~100 ms)
Holding 10 W

Position indicator rating

Max. 48 V AC/DC
Max. 500 mA

Protection class

IP40

Overcurrent protection device

2A,
tripping characteristic "D"
(EN60898)

Operation

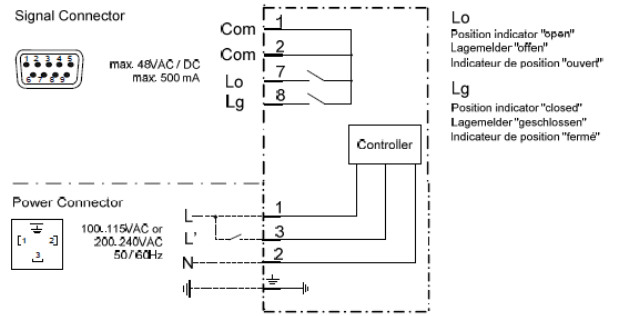
To open
To close

Power has to be provided to N and both L and L'
Power has to be switched off for L'

Position indicator

Valve open
Valve closed

Green LEDs
Orange LEDs



Wiring diagram

Created by: POM	Release date: 13.09.2022	2/2
Modified by:	Release date:	1184612EA