



VAT Vakuumventile AG
CH-9469 Haag, Schweiz

Product data sheet

HV angle valve

Series 264, DN 25 (ID 1")

Ordering No. 26428-KE31-0001

Description

Flange	ISO-KF 25
Actuator	Pneumatic, single acting with closing spring – with solenoid valve – without position indicator
Feedthrough	Bellows

Technical data

Leak rate	– Valve body – Valve seat	$< 1 \cdot 10^{-9}$ mbar ls ⁻¹ $< 1 \cdot 10^{-9}$ mbar ls ⁻¹
Pressure range		$1 \cdot 10^{-8}$ mbar to 5 bar (abs)
Differential pressure on the plate	– In opening direction – In closing direction	≤ 2 bar ≤ 5 bar
Differential pressure at opening		≤ 1 bar
Conductance (molecular flow)		14 ls ⁻¹
Closing time		≤ 0.2 sec.
Cycles until first service (Tmax 80 °C, under clean conditions)		3 million
Temperature (Maximum values: depending on operating conditions and sealing materials)	– Valve body – Actuator – Solenoid valve	≤ 150 °C ≤ 120 °C ≤ 80 °C
Material	– Valve body – Actuator – Plate – Bellows	AISI 304 (1.4301) Aluminum AISI 316L (1.4404) AISI 316L (1.4404, 1.4435) AISI 316 Ti (1.4571)
Seal	– Bonnet O-ring – Plate O-ring – Actuator O-ring	FKM (Viton®) FKM (Viton®) FKM (Viton®)
Weight		0.60 kg / 1.32 lbs
Mounting position		any
Volume of pneumatic actuator		0.011 l / 0.0004 ft ³
Compressed air min. – max. overpressure		4 – 8 bar / 58 – 116 psi
Compressed air connection		M5 female (10-32 UNF suitable)

Created by: WARO	Release date: 23.04.2014	1/2
Modified by:	Release date:	746480EA



VAT Vakuumventile AG
CH-9469 Haag, Schweiz

Product data sheet

HV angle valve

Series 264, DN 25 (ID 1")

Ordering No. 26428-KE31-0001

Behavior in case of compressed air pressure drop

- Valve closed
- Valve opened
- During actuation

valve remains closed and leaktight
valve closes leaktight
valve closes leaktight

Behavior in case of power failure

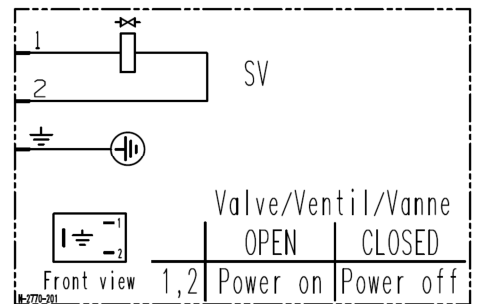
- Valve closed
- Valve opened
- During actuation

valve remains closed and leaktight
valve closes leaktight
valve closes leaktight

Electrical connections

Solenoid valve

Type	3/2-way
Voltage	See solenoid
Power	See solenoid
Connector	Rectangle plug, Type B (DIN standard)
Cable	Ø6 – 8 mm



Wiring diagram