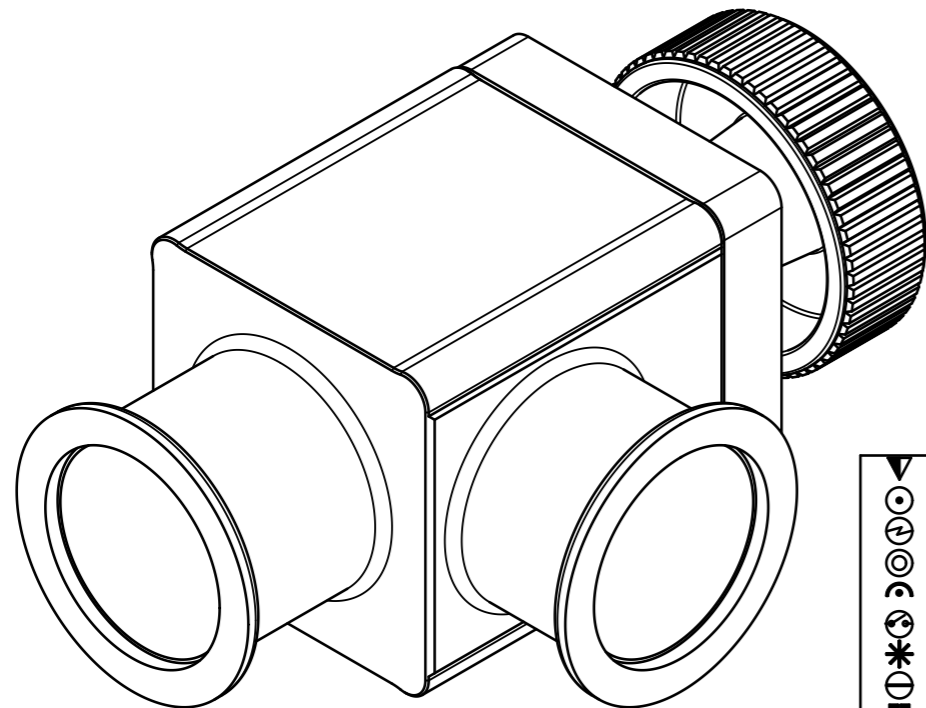


green ring indicates the opened position



- ▼ Seat side
- ⊙ Comp. air connection
- ⊙ Electrical connection
- ⊙ Leak detection port
- ⊙ Mech. pos. indication
- ⊙ Position indicator
- ⊙ Required for dismantling
- ⊙ Emergency actuation
- ⊙ For attachment
- ⊙ Bake-out area
- ⊙ Differential pumping port

HV angle valve



VAT Vakuumventile AG
CH-9469 Haag, Switzerland
Tel ++41 81 7716161 Fax ++41 81 7714830

Date: 28.01.04
Name: ZVP

| | | | |
|---------------------|--------|--------------|-----------------|
| Series | 264 | Ordering No. | 26432-KA01-0001 |
| Projection E | DN | Flange | |
| | 40 | ISO-KF | |
| Dimensional Drawing | 246517 | Rev. | A |