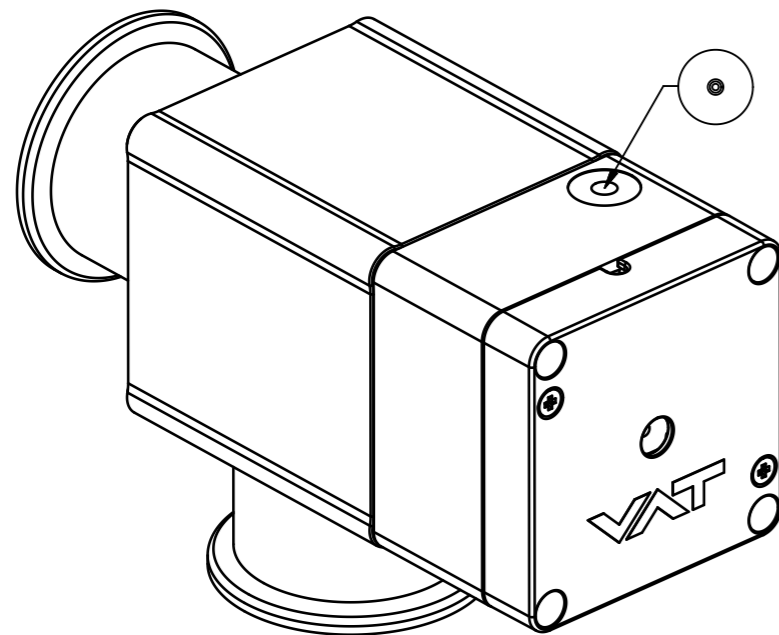
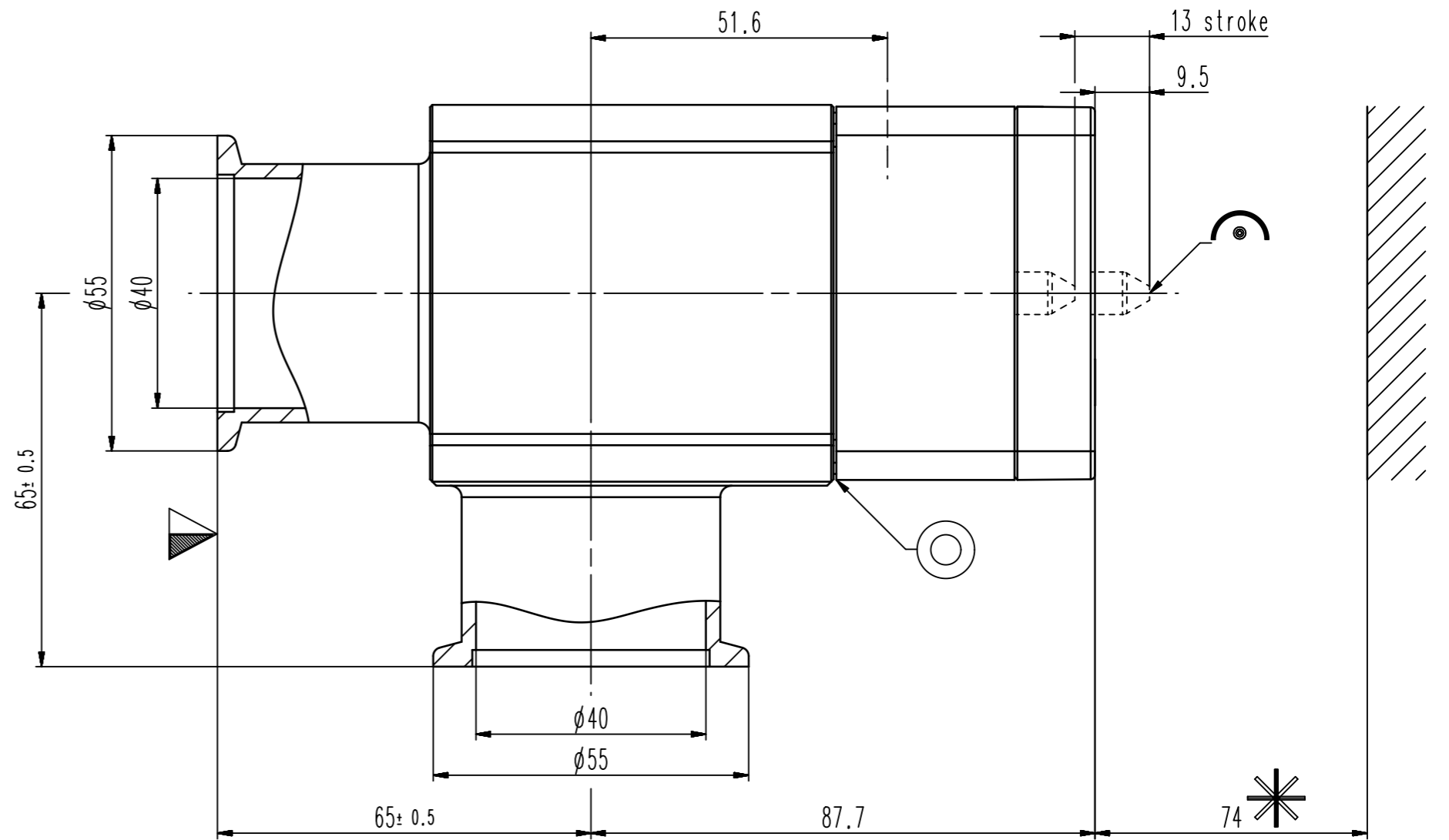
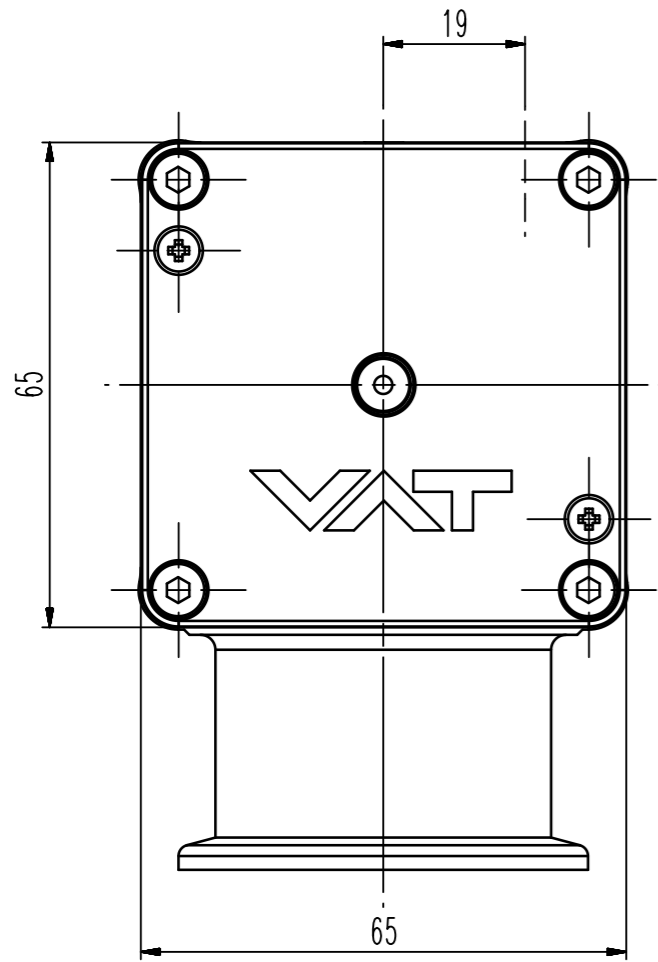


This drawing is the property of VAT.

Revision

Customer number



M5 / 10-32UNF
4-8 bar

- ▼ Seat side
- ⊙ Comp. air connection
- ⊙ Electrical connection
- ⊙ Leak detection port
- ⊙ Mech. pos. indication
- ⊙ Position indicator
- ⊙ * Required for dismantling
- ⊙ Emergency actuation
- ⊙ For attachment
- ⊙ Bake-out area
- ⊙ Differential pumping port

HV angle valve



VAT Vakuumentile AG
CH-9469 Haag, Switzerland
Tel ++41 81 7716161 Fax ++41 81 7714830

Date: 02.06.03
Name: ZVP

| | | | |
|---------------------|-----|--------------|-----------------|
| Series | 264 | Ordering No. | 26432-KA11-0001 |
| Projection E | | DN | 40 |
| | | Flange | ISO-KF |
| Dimensional Drawing | | | 239981 |
| | | Rev. | B |