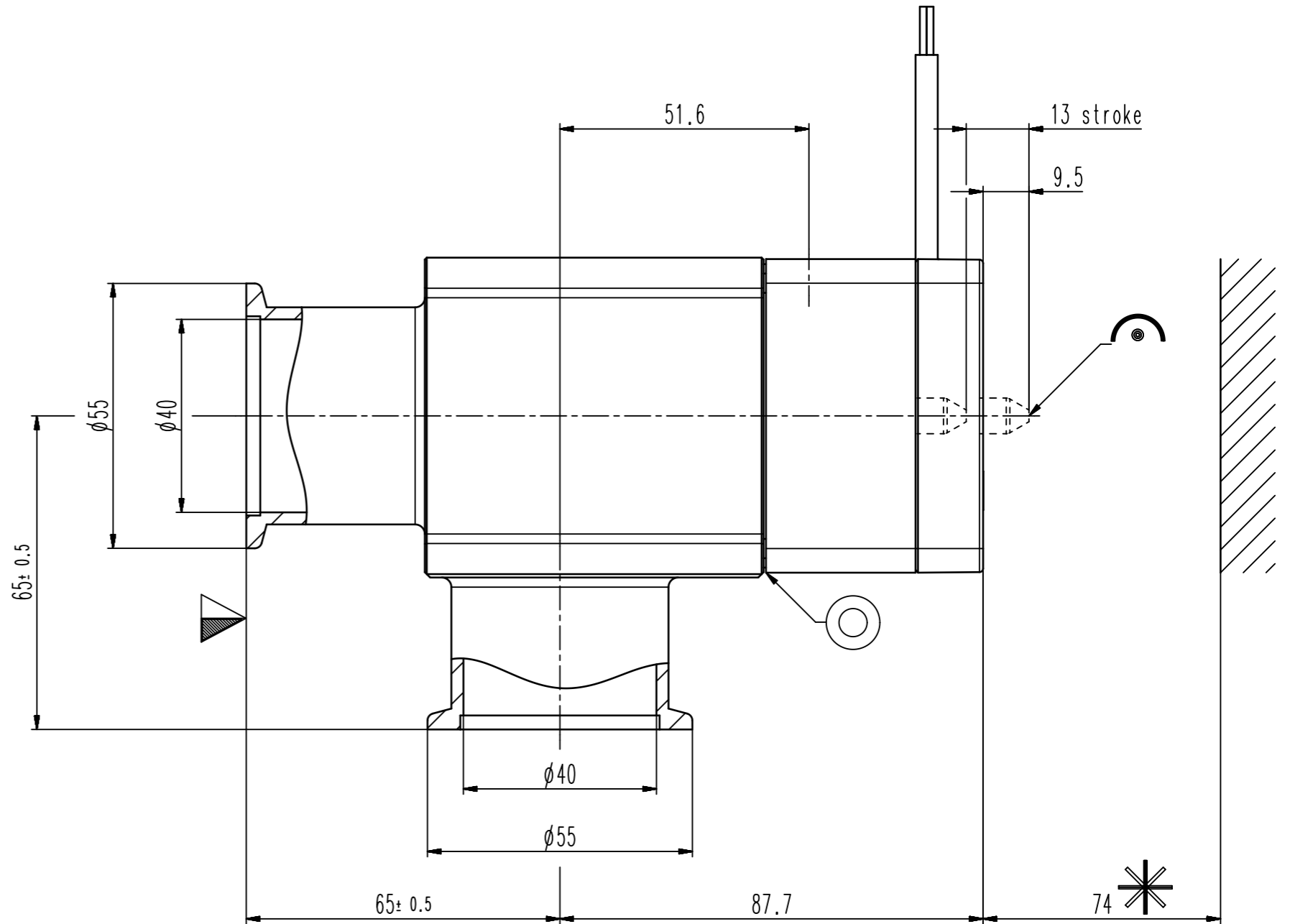
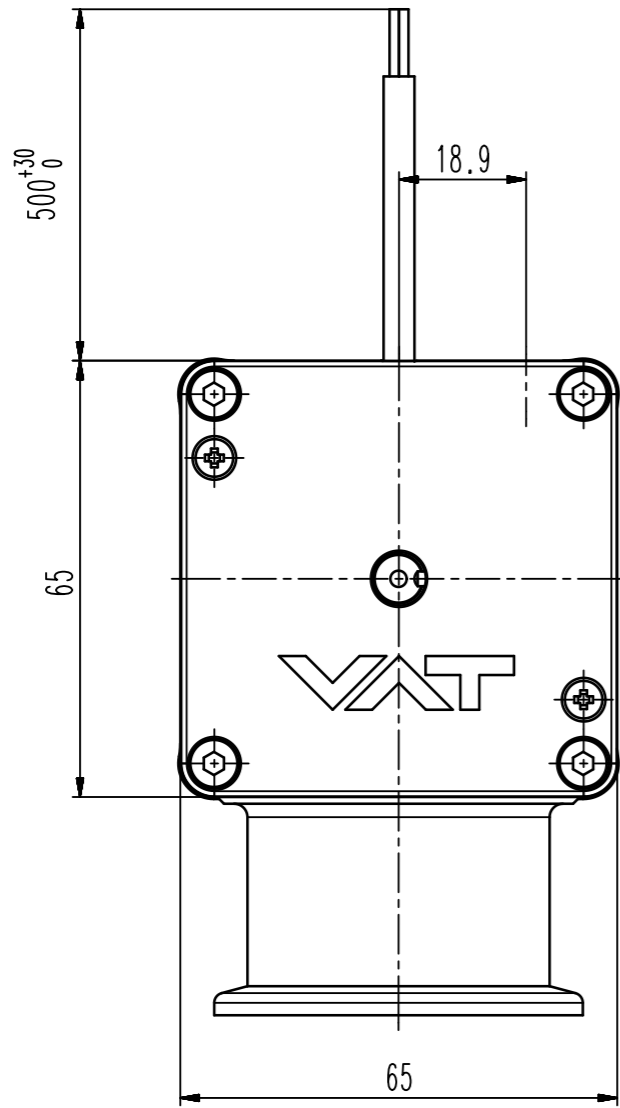


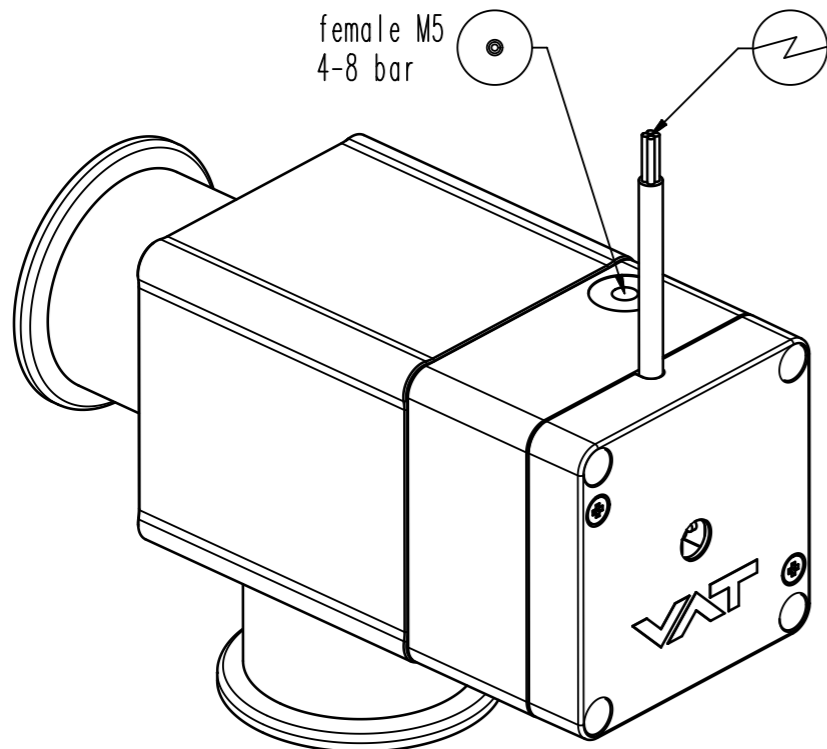
This drawing is the property of VAT.

Revision

Customer number



female M5  
4-8 bar



- ▼ Seat side
- ⊙ Comp. air connection
- ⊙ Electrical connection
- ⊙ Leak detection port
- ⊙ Mech. pos. indication
- ⊙ Position indicator
- ⊙ Required for dismantling
- ⊙ Emergency actuation
- ⊙ For attachment
- ⊙ Bake-out area
- ⊙ Differential pumping port

HV angle valve



VAT Vakuumventile AG  
CH-9469 Haag, Switzerland  
Tel ++41 81 7716161 Fax ++41 81 7714830

Date: 03.04.03  
Name: ZVP

Series	264	Ordering No.	26432-KA21-0001
Projection E	⊙	DN	40
		Flange	ISO-KF
Dimensional Drawing		238322	Rev. C