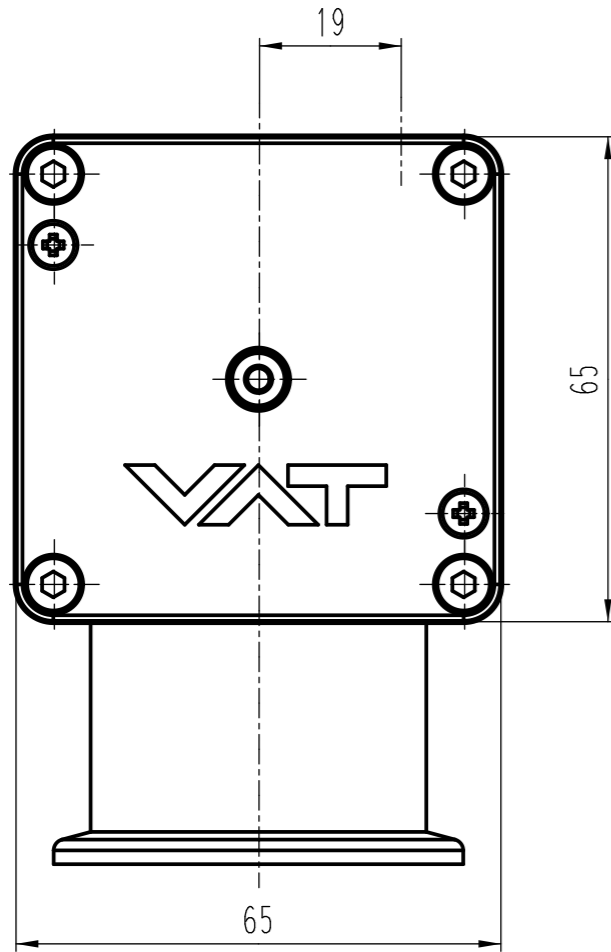


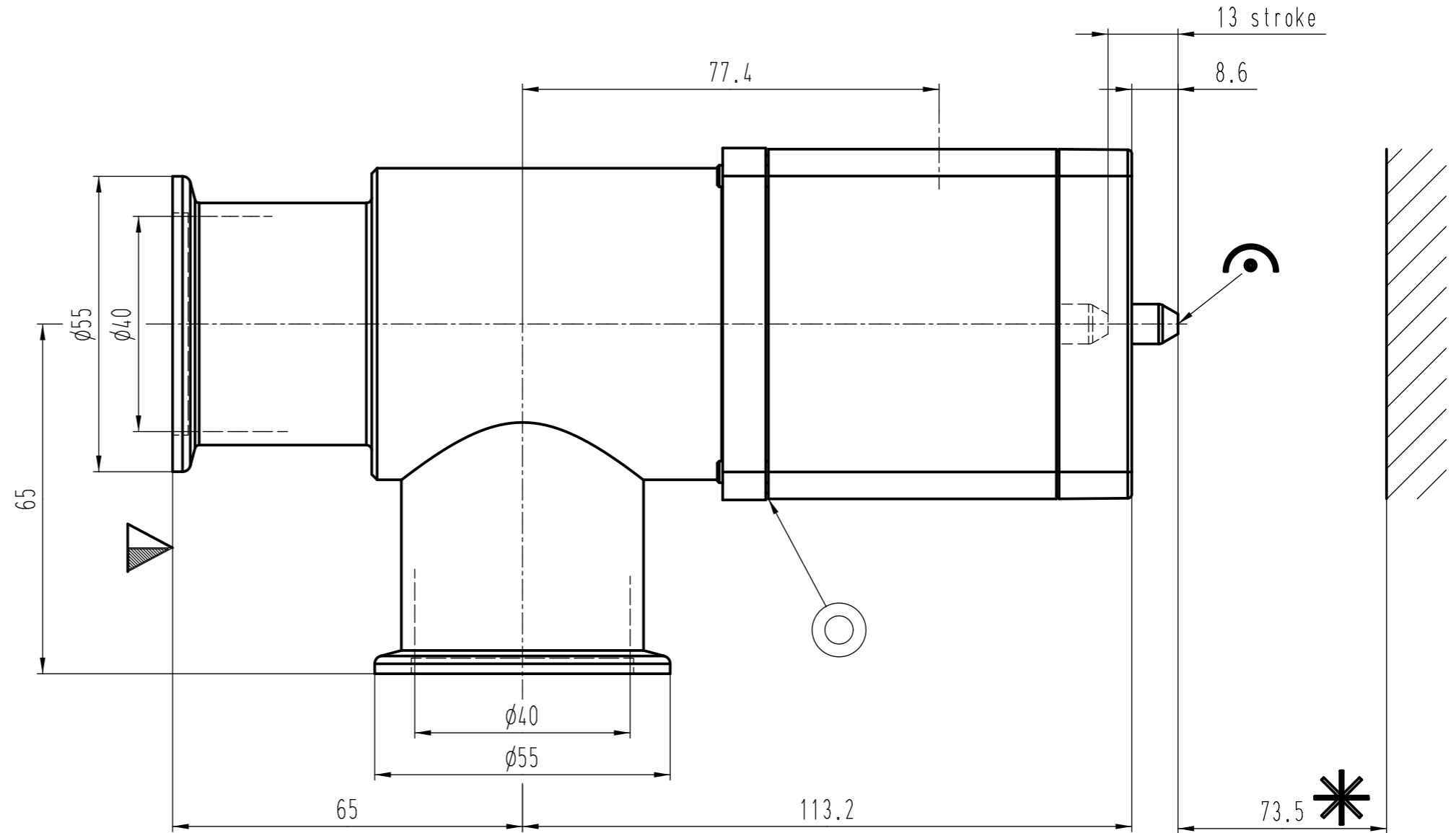
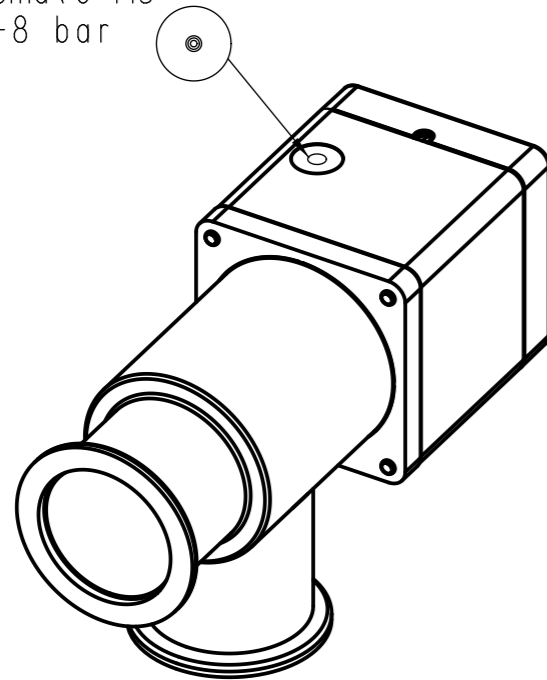
This drawing is the property of VAT.

Revision

Customer number



female M5
4-8 bar



- ▼ Seat side
- ⊙ Comp. air connection
- ⊕ Electrical connection
- ⊗ Leak detection port
- ⊖ Mech. pos. indication
- ⊙ Position indicator
- ⊙ Required for dismantling
- ⊙ Emergency actuation
- ⊙ For attachment
- ⊙ Bake-out area
- ⊙ Differential pumping port

HV angle valve



VAT Vakuumventile AG
CH-9469 Haag, Switzerland
Tel ++41 81 7716161 Fax ++41 81 7714830

Date: 15.01.07
Name: GRX

Series	264	Ordering No.	26432-KE12-0001
Projection E	DN	Flange	
		40	ISO-KF
Dimensional Drawing		333666	Rev.