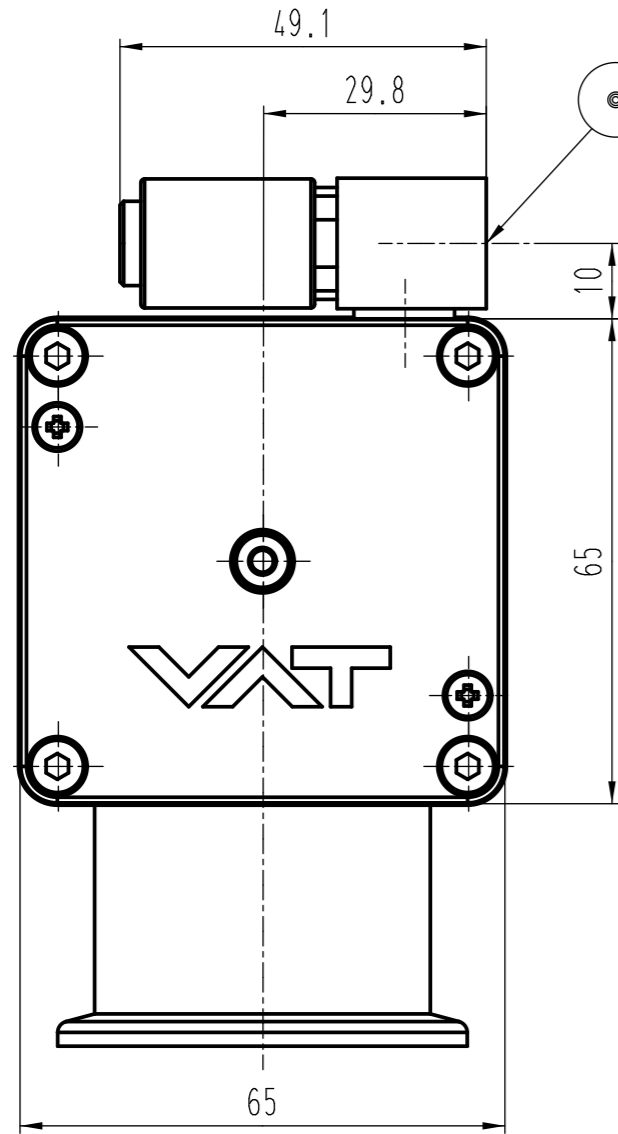


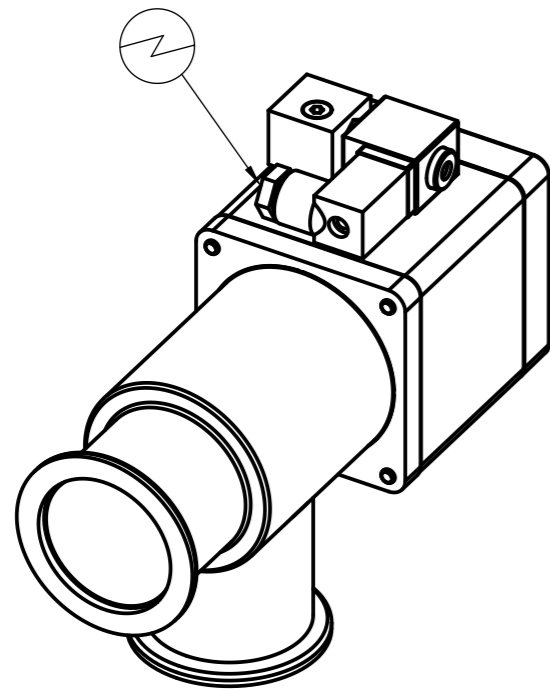
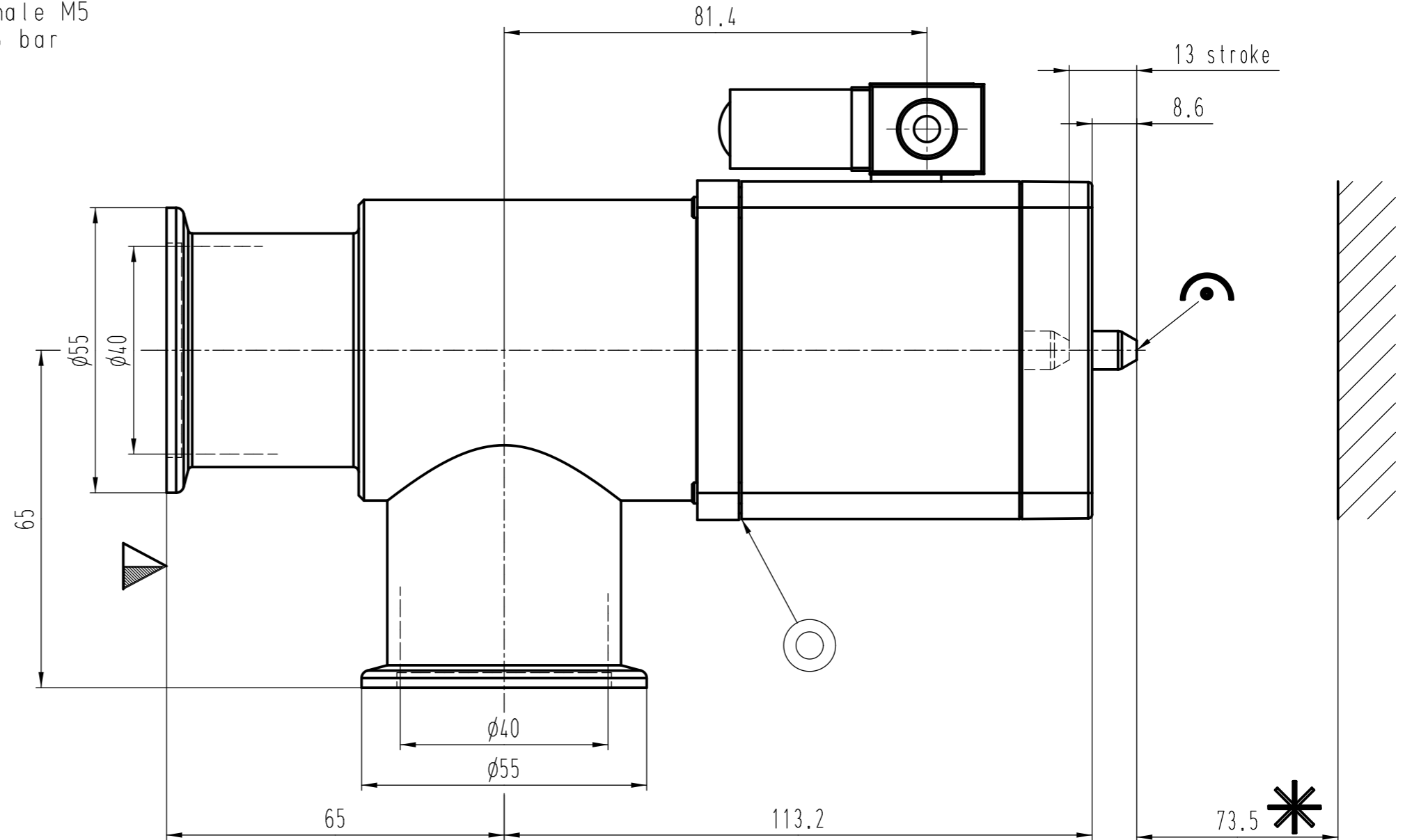
This drawing is the property of VAT.

Revision

Customer number



female M5
4-8 bar



- Seat side
- Comp. air connection
- Electrical connection
- Leak detection port
- Mech. pos. indication
- Position indicator
- Required for dismantling
- Emergency actuation
- For attachment
- Bake-out area
- Differential pumping port

HV angle valve



VAT Vakuumentile AG
CH-9469 Haag, Switzerland
Tel ++41 81 7716161 Fax ++41 81 7714830

Date: 14.11.07
Name: GRX

Series	264		Ordering No.
Projection E	DN	Flange	
		40	ISO-KF
Dimensional Drawing	356583		Rev.