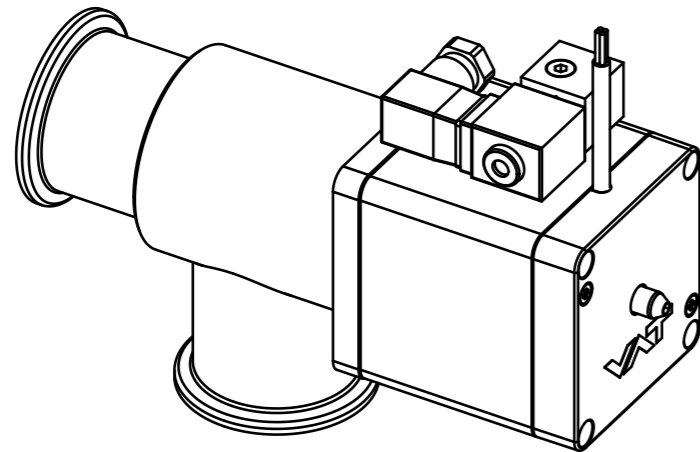
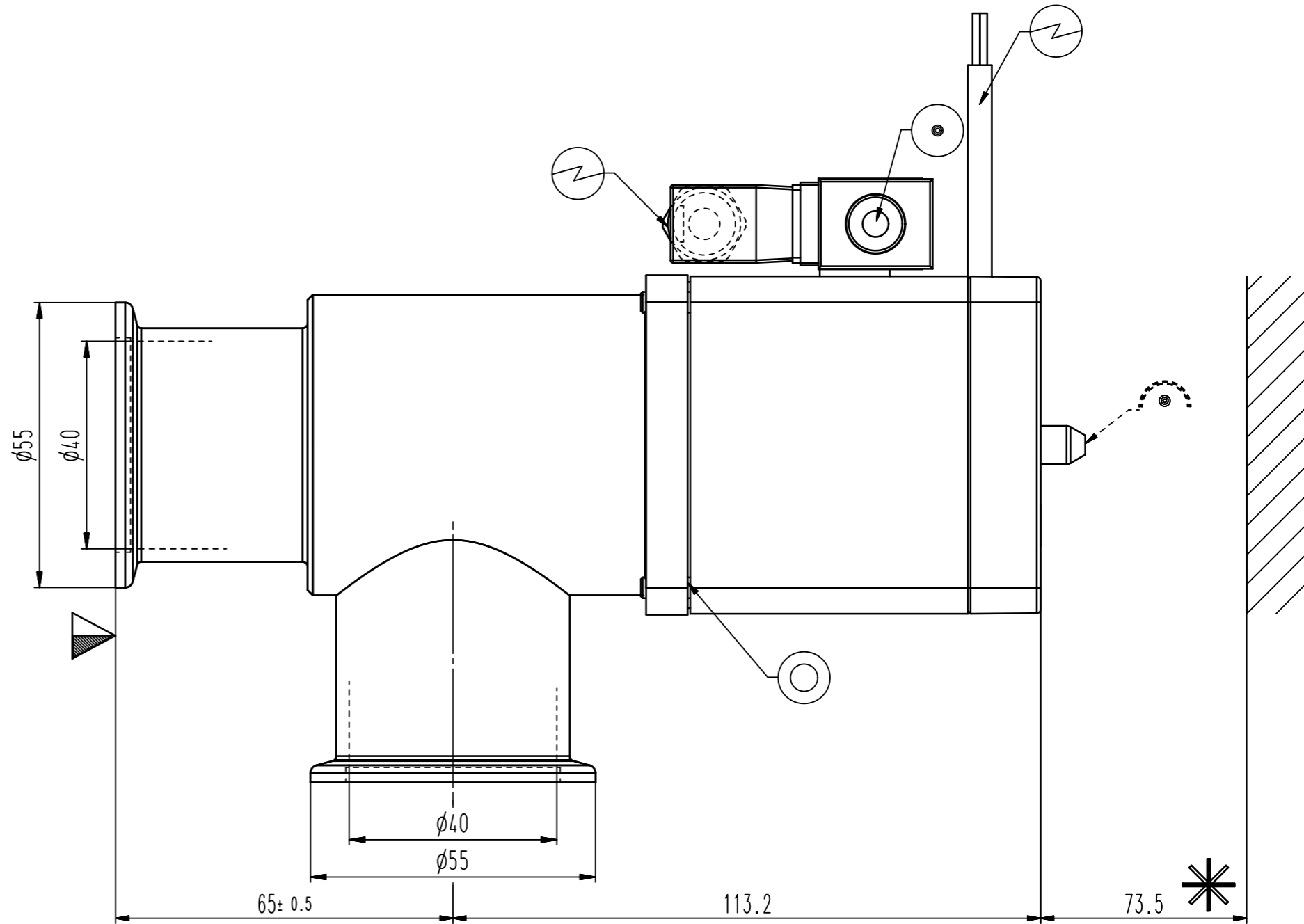
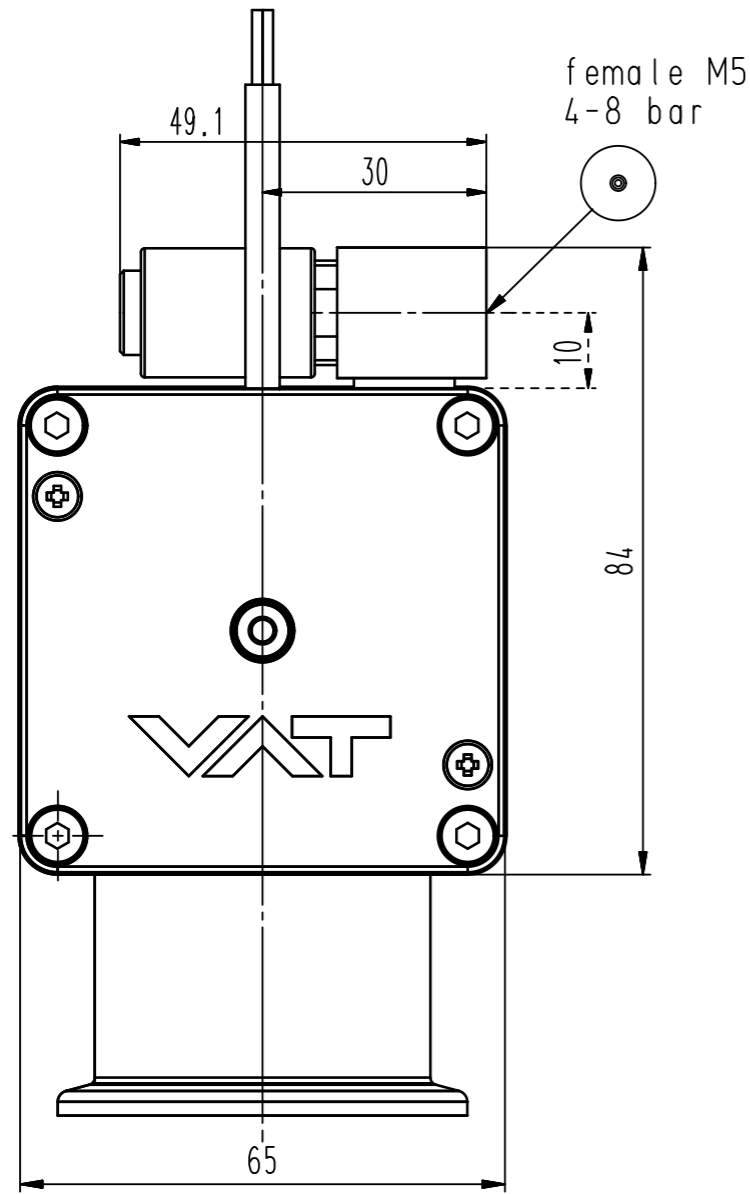


This drawing is the property of VAT.

Revision

Customer number



- ▼ Seat side
- Comp. air connection
- ⊕ Electrical connection
- Leak detection port
- ⊖ Mech. pos. indication
- Position indicator
- ⊕ Required for dismantling
- ⊖ Emergency actuation
- ⊕ For attachment
- ⊖ Bake-out area
- ⊕ Differential pumping port

HV angle valve



VAT Vakuumventile AG
CH-9469 Haag, Switzerland
Tel ++41 81 7716161 Fax ++41 81 7714830

Rev.-Date: 23.01.08
Visa: GRX

Series	264	Ordering No.	26432-KE42-0001
Projection E	DN	Flange	
	40	ISO-KF	
Dimensional Drawing	332930	Rev.	A