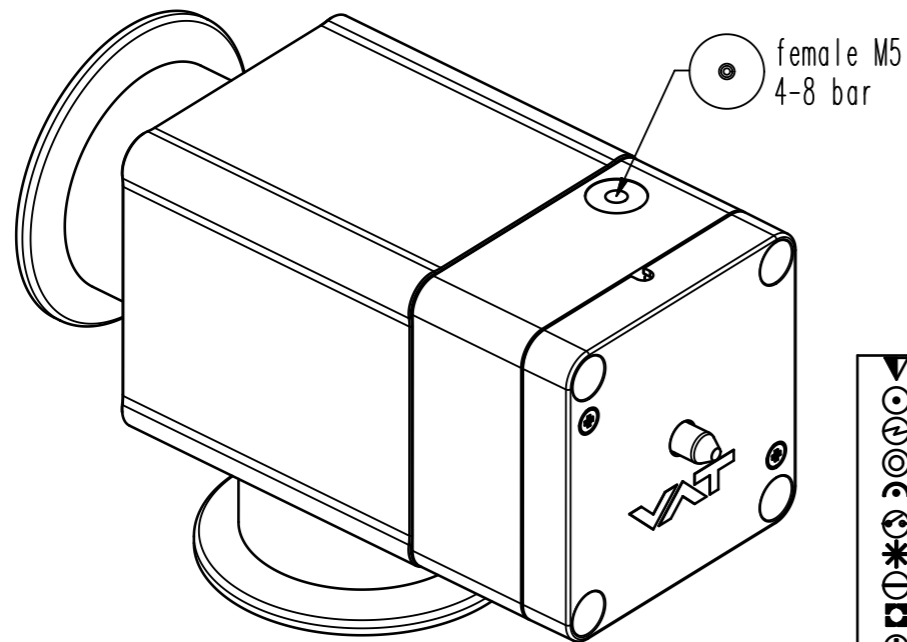
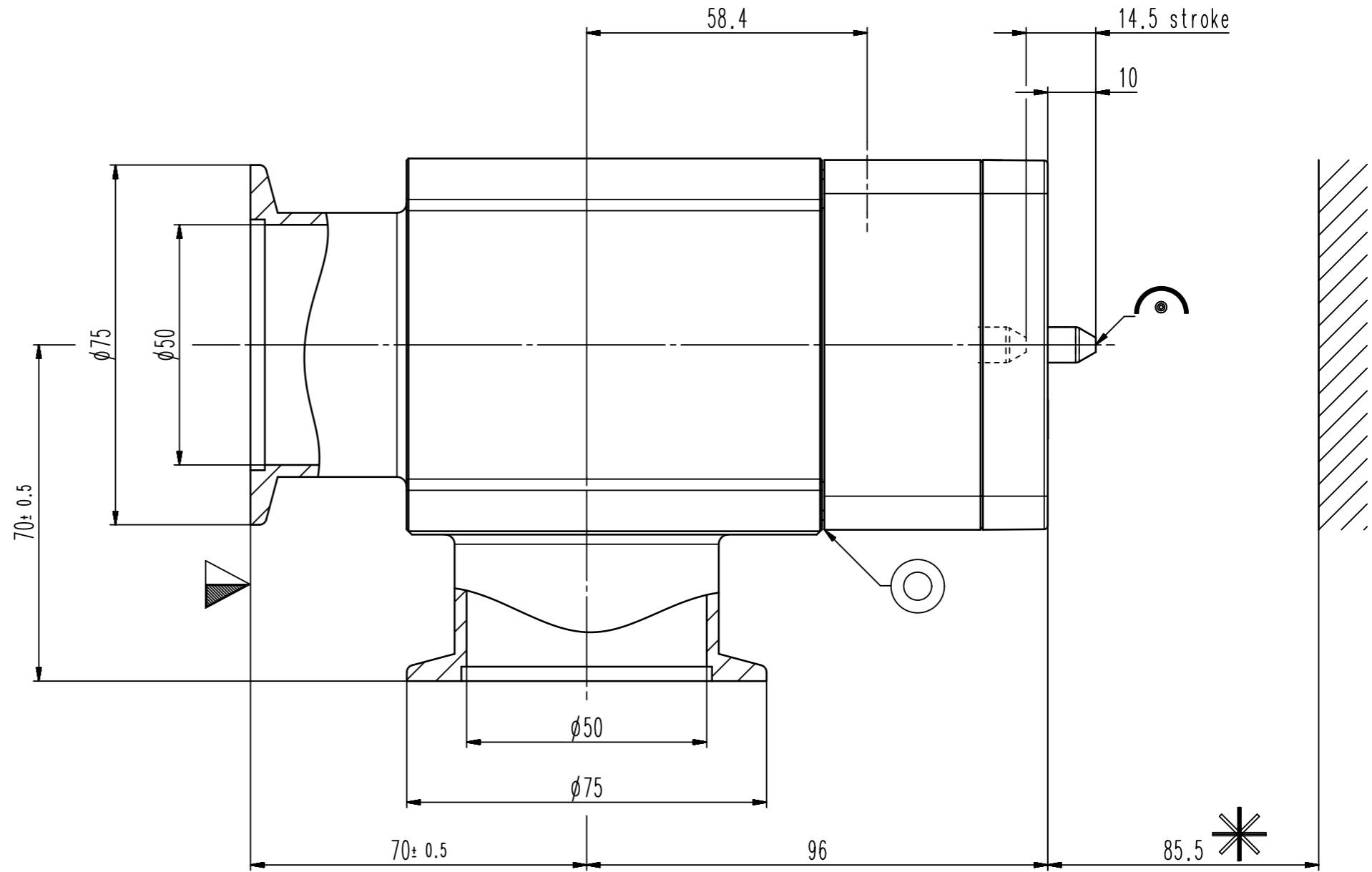
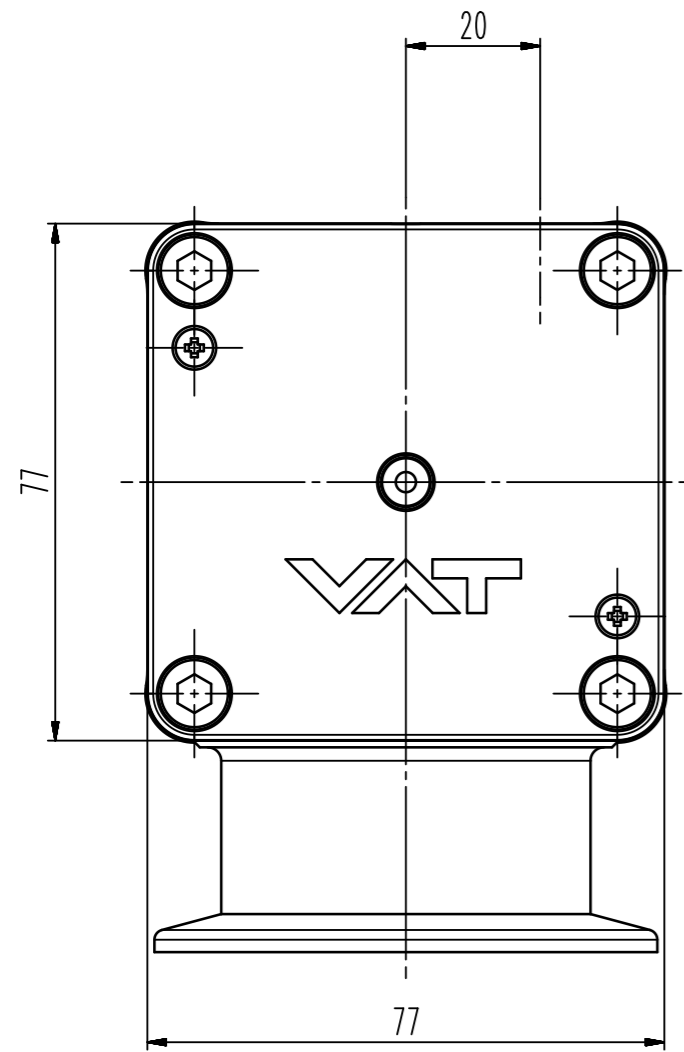


This drawing is the property of VAT.

Revision

Customer number



- ▼ Seat side
- Comp. air connection
- Electrical connection
- Leak detection port
- Mech. pos. indication
- Position indicator
- * Required for dismantling
- Emergency actuation
- For attachment
- Bake-out area
- Differential pumping port

HV angle valve



VAT Vakuumentile AG
 CH-9469 Haag, Switzerland
 Tel ++41 81 7716161 Fax ++41 81 7714830

Date: 26.01.05
 Name: BCH

Series	264	Ordering No.	26434-KA11-0001
Projection E	DN	Flange	
	50	ISO-KF	
Dimensional Drawing	258366	Rev.	A