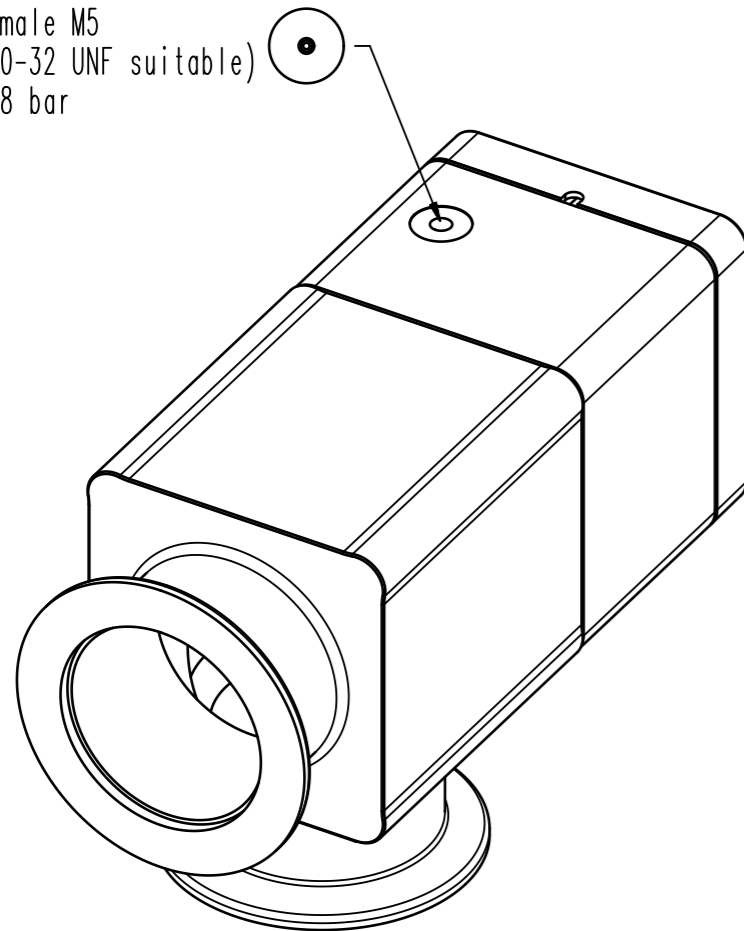


female M5
(10-32 UNF suitable)
4-8 bar



- ▼ Seat side
- ⊙ Comp. air connection
- ⊙ Electrical connection
- ⊙ Leak detection port
- ⊙ Mech. pos. indication
- ⊙ Position indicator
- ⊙ Required for dismantling
- ⊙ Emergency actuation
- ⊙ For attachment
- ⊙ Bake-out area
- ⊙ Differential pumping port

HV angle valve



VAT Vakuumentile AG
CH-9469 Haag, Switzerland
Tel ++41 81 7716161 Fax ++41 81 7714830

Rev.-Date: 10.04.13
Visa: WARO

| | | | |
|---------------------|--------|--------------|-----------------|
| Series | 264 | Ordering No. | 26434-KA12-0001 |
| Projection E | DN | Flange | |
| | 50 | ISO-KF | |
| Dimensional Drawing | 259134 | Rev. | A |