



VAT Vakuumventile AG  
CH-9469 Haag, Schweiz

## Product data sheet

### HV angle valve

**Series 264, DN 63 (ID 2 1/2")**

**Ordering No. 26436-QA41-0002**

### Description

Flange	ISO-K 63
Actuator	Pneumatic, single acting with closing spring – with solenoid valve – with position indicator “open” and “closed”
Feedthrough	Bellows

### Technical data

Leak rate	– Valve body – Valve seat	$< 1 \cdot 10^{-9}$ mbar ls <sup>-1</sup> $< 1 \cdot 10^{-9}$ mbar ls <sup>-1</sup>
Pressure range		$1 \cdot 10^{-8}$ mbar to 4 bar (abs)
Differential pressure on the plate	– In opening direction – In closing direction	$\leq 1.2$ bar $\leq 4$ bar
Differential pressure at opening		$\leq 1$ bar
Conductance (molecular flow)		160 ls <sup>-1</sup>
Closing time		$\leq 0.7$ sec.
Cycles until first service (Tmax 80 °C, under clean conditions)		3 million
Temperature (Maximum values: depending on operating conditions and sealing materials)	– Valve body – Actuator – Solenoid valve – Position indicator	$\leq 150$ °C $\leq 120$ °C $\leq 80$ °C $\leq 80$ °C
Material	– Valve body – Actuator – Plate – Bellows	Aluminum (EN AW-6060) Aluminum AISI 316L (1.4404) AISI 316L (1.4404, 1.4435) AISI 316 Ti (1.4571)
Seal	– Bonnet O-ring – Plate O-ring – Actuator O-ring	FKM (Viton®) FKM (Viton®) FKM (Viton®)
Weight		3.90 kg / 8.598 lbs
Mounting position		any
Volume of pneumatic actuator		0.112 l / 0.0040 ft <sup>3</sup>
Compressed air min. – max. overpressure		4 – 8 bar / 58 – 116 psi
Compressed air connection		G1/8“ female

Created by: WARO	Release date: 11.06.2014	1/2
Modified by:	Release date:	<b>753610EA</b>



VAT Vakuumventile AG  
CH-9469 Haag, Schweiz

## Product data sheet

**HV angle valve**  
**Series 264, DN 63 (ID 2 1/2")**  
**Ordering No. 26436-QA41-0002**

Behavior in case of compressed air pressure drop

- Valve closed
- Valve opened
- During actuation

valve remains closed and leaktight  
valve closes leaktight  
valve closes leaktight

Behavior in case of power failure

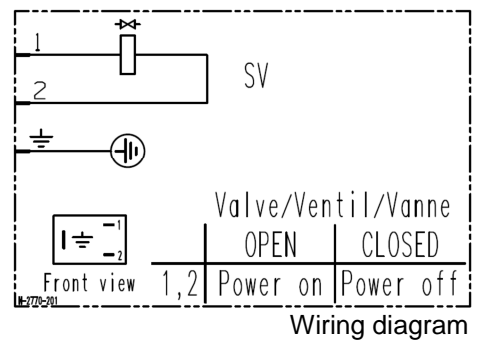
- Valve closed
- Valve opened
- During actuation

valve remains closed and leaktight  
valve closes leaktight  
valve closes leaktight

### Electrical connections

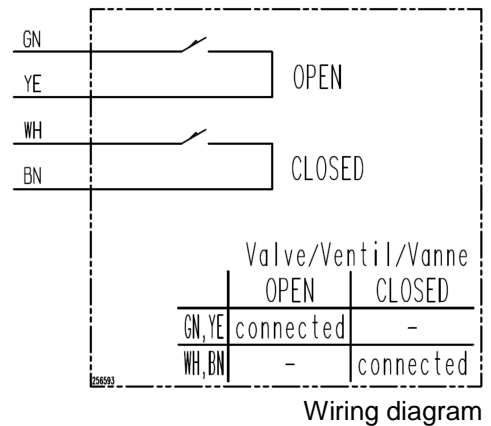
#### Solenoid valve

Type 3/2-way  
Voltage See solenoid  
Power See solenoid  
Connector Rectangle plug, Type B (DIN standard)  
Cable Ø6 – 8 mm



#### Position indicator

Type Micro switch  
Voltage ≤ 50 V AC / DC  
Current 5 – 100 mA  
Short circuit protected No  
Connection Cable, 4 wires  
Cable length 500 mm  
Cable cross section 0.25 mm<sup>2</sup>



Created by: WARO	Release date: 11.06.2014	2/2
Modified by:	Release date:	<b>753610EA</b>