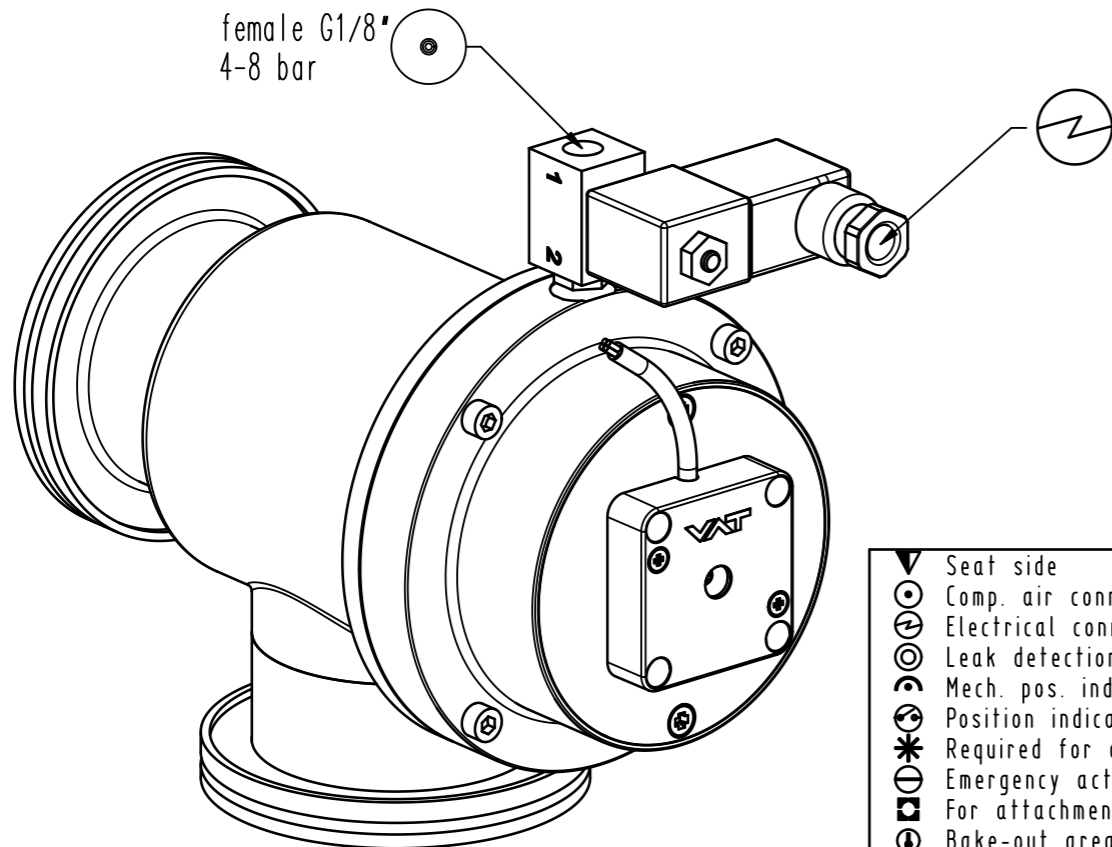
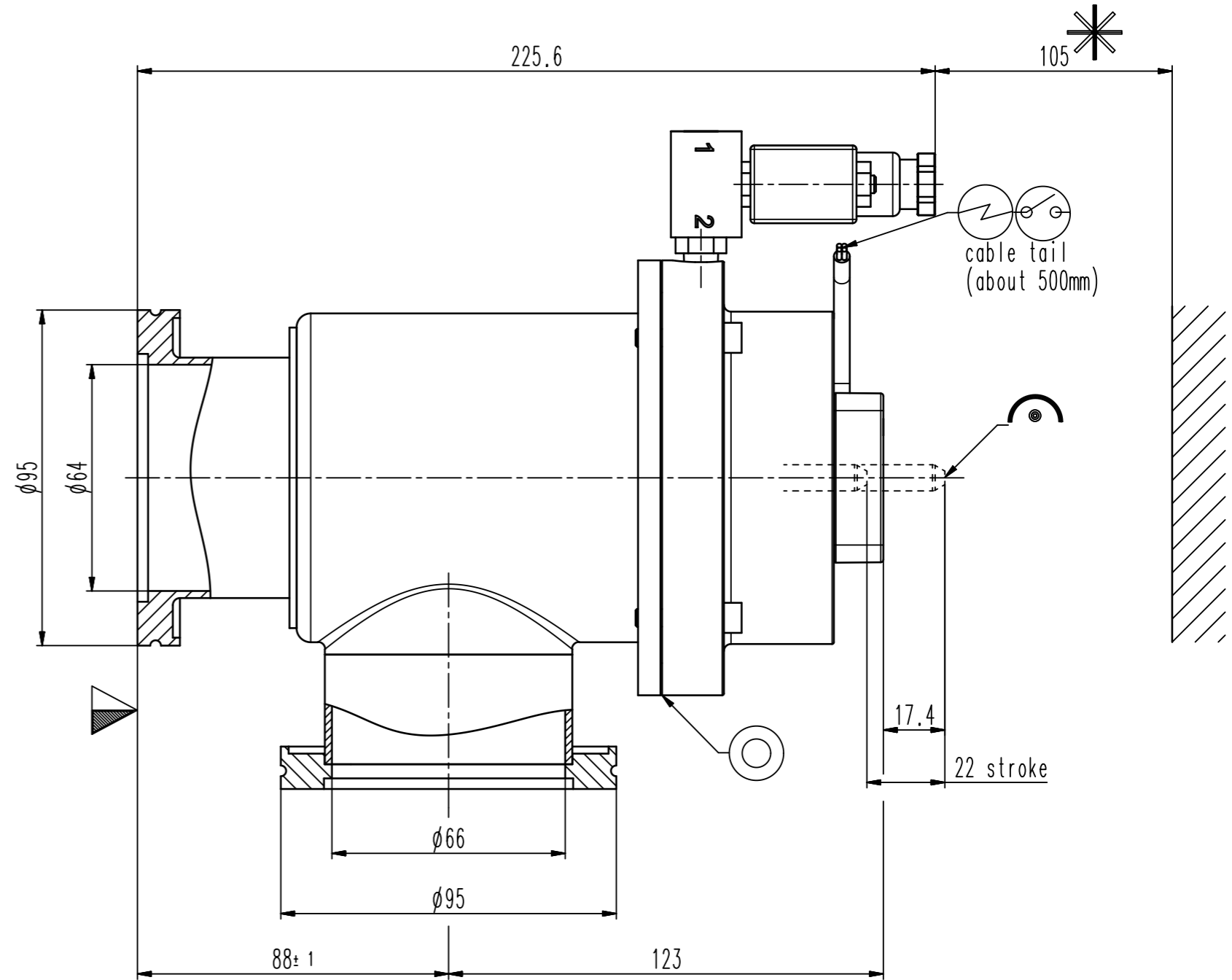
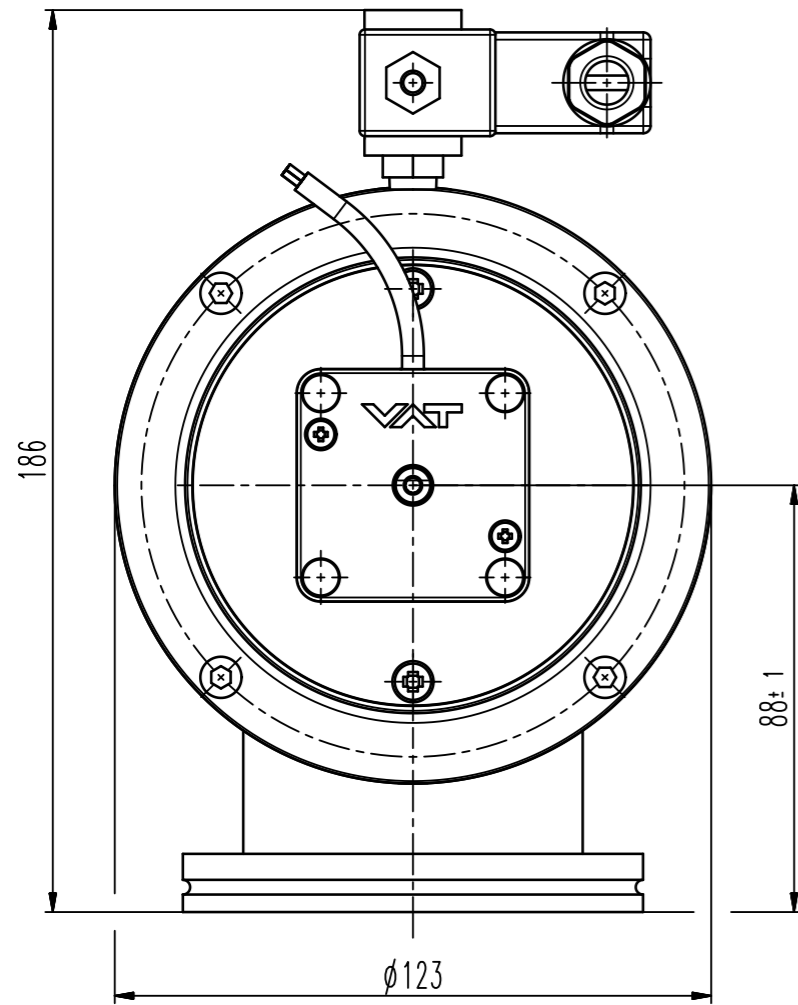


This drawing is the property of VAT.

Revision

Customer number



- ▼ Seat side
- ⊙ Comp. air connection
- ⊙ Electrical connection
- ⊙ Leak detection port
- ⊙ Mech. pos. indication
- ⊙ Position indicator
- ⊙ Required for dismantling
- ⊙ Emergency actuation
- ⊙ For attachment
- ⊙ Bake-out area
- ⊙ Differential pumping port

HV angle valve



VAT Vakuumentile AG  
 CH-9469 Haag, Switzerland  
 Tel ++41 81 7716161 Fax ++41 81 7714830

Rev.-Date: 14.01.15  
 Visa: WARO

|                     |        |              |                 |
|---------------------|--------|--------------|-----------------|
| Series              | 264    | Ordering No. | 26436-QE41-0003 |
| Projection E        | DN     | Flange       | ISO-K           |
|                     | 63     |              |                 |
| Dimensional Drawing | 704119 | Rev.         | A               |