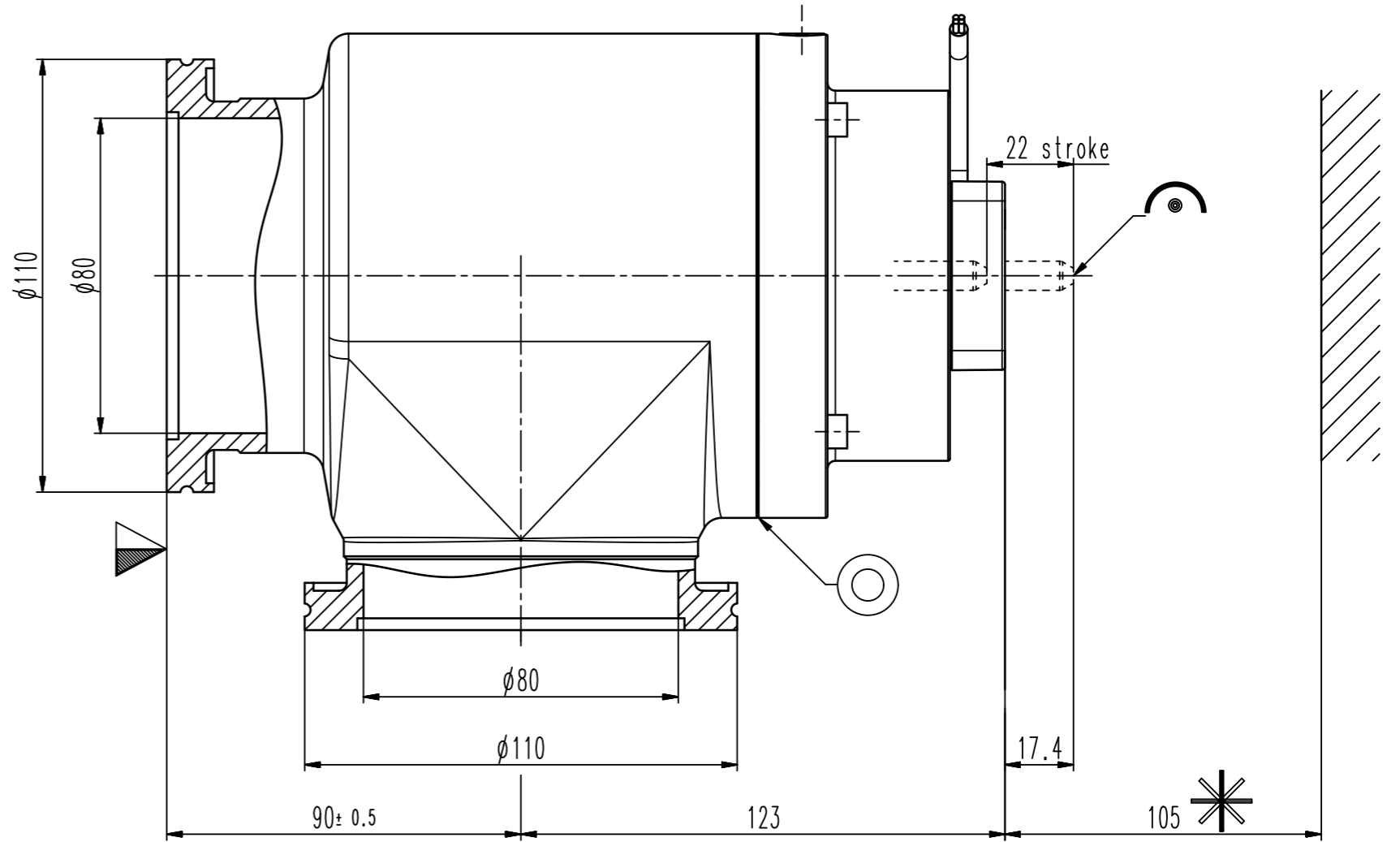
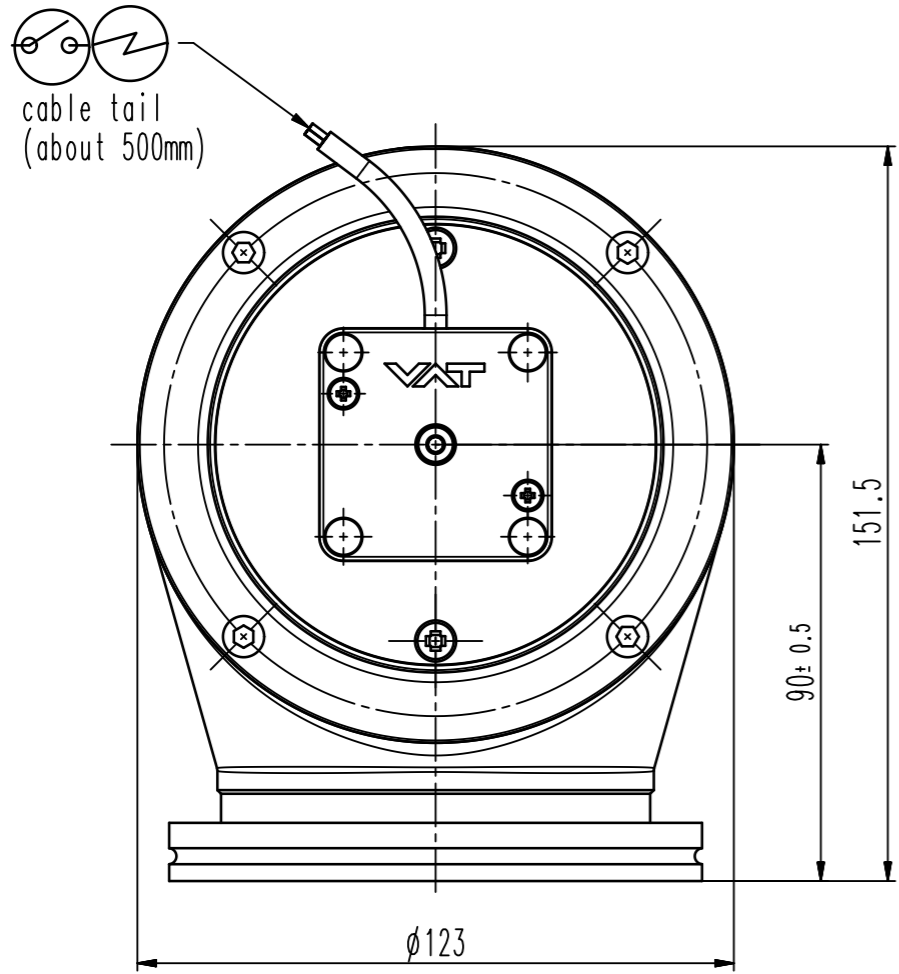


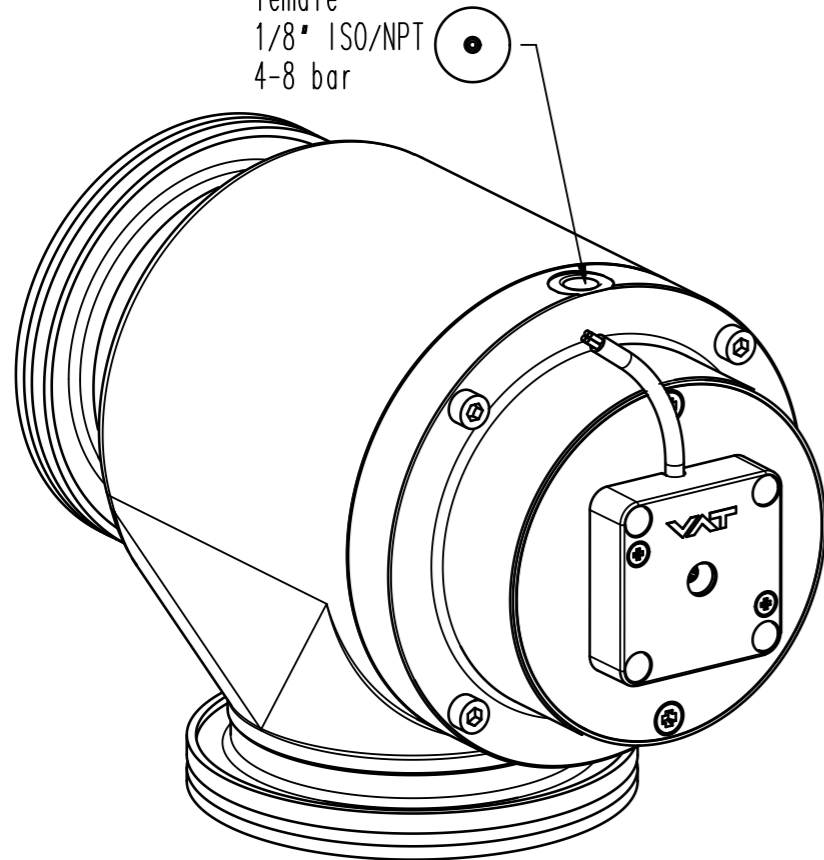
This drawing is the property of VAT.

Revision

Customer number



female
1/8" ISO/NPT
4-8 bar



- ▼ Seat side
- ⊙ Comp. air connection
- ⊙ Electrical connection
- ⊙ Leak detection port
- ⊙ Mech. pos. indication
- ⊙ Position indicator
- ⊙ Required for dismantling
- ⊙ Emergency actuation
- ⊙ For attachment
- ⊙ Bake-out area
- ⊙ Differential pumping port

HV angle valve



VAT Vakuumventile AG
CH-9469 Haag, Switzerland
Tel ++41 81 7716161 Fax ++41 81 7714830

Rev.-Date: 10.01.11
Visa: EMI

Series	264	Ordering No.	26438-QA21-0002
Projection E	DN	Flange	
	80	ISO-K	
Dimensional Drawing	474382	Rev.	