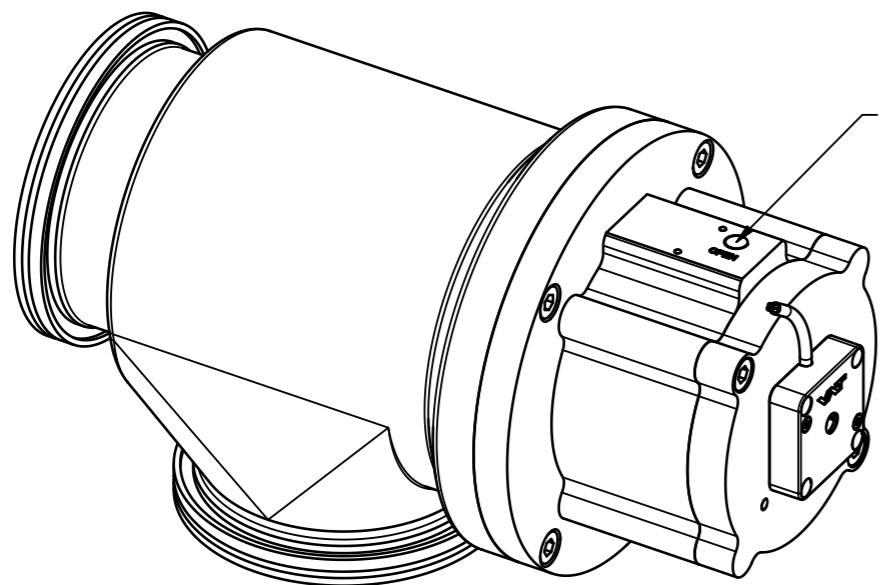
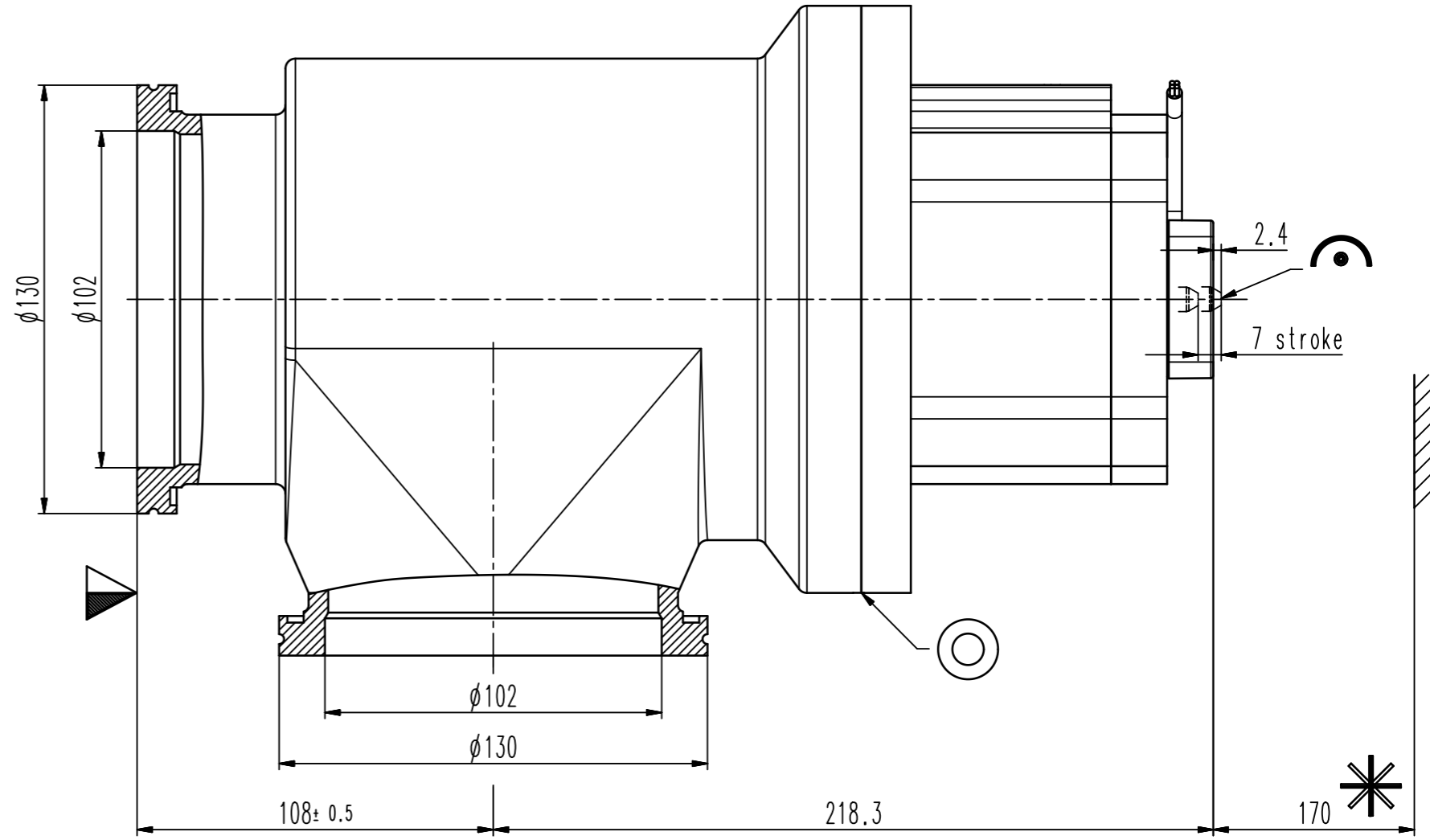
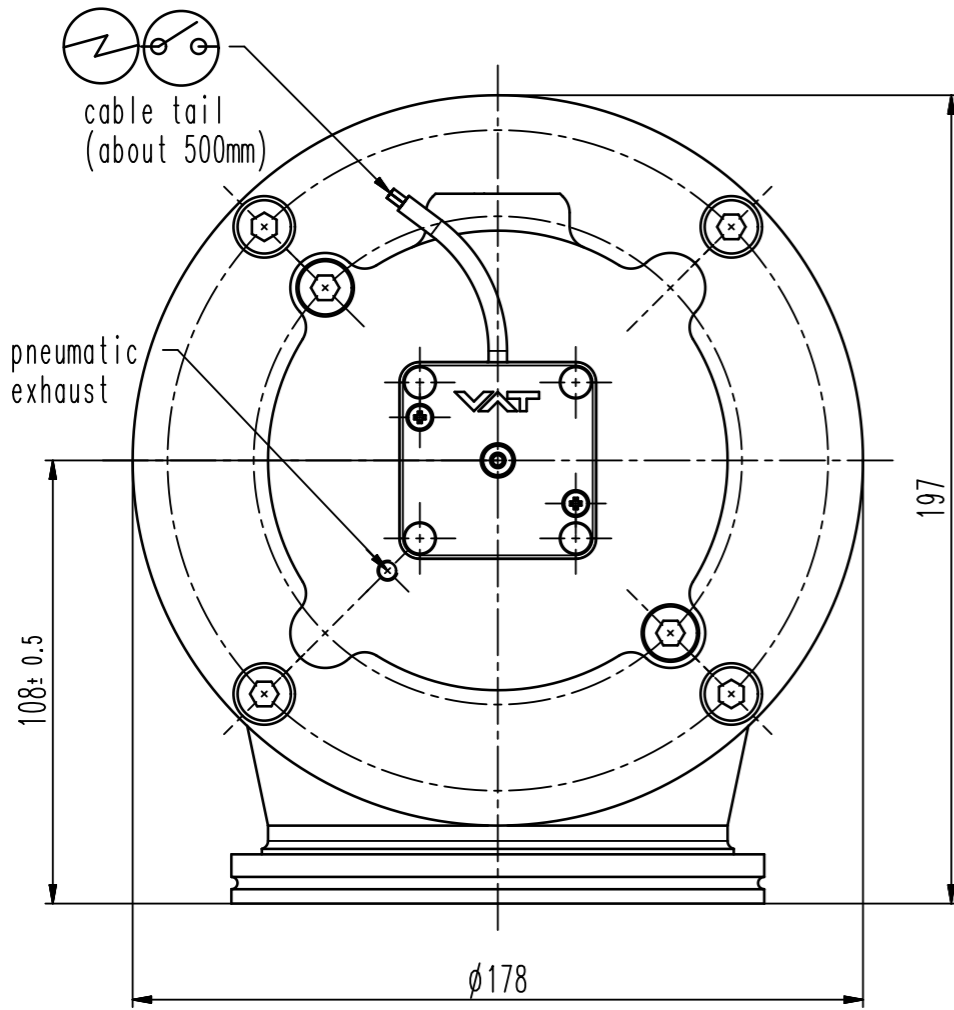


This drawing is the property of VAT.

Revision

Customer number



female
1/8" ISO/NPT
4.5-7 bar

- ▶ Seat side
- Comp. air connection
- Electrical connection
- Leak detection port
- Mech. pos. indication
- Position indicator
- Required for dismantling
- Emergency actuation
- For attachment
- Bake-out area
- Differential pumping port

HV angle valve



VAT Vakuumventile AG
CH-9469 Haag, Switzerland
Tel ++41 81 7716161 Fax ++41 81 7714830

Rev.-Date: 02.02.15
Visa: LIN

Series	264	Ordering No.	26440-QA21-0001
Projection E	DN	Flange	ISO-K
	100		
Dimensional Drawing	563630	Rev.	A