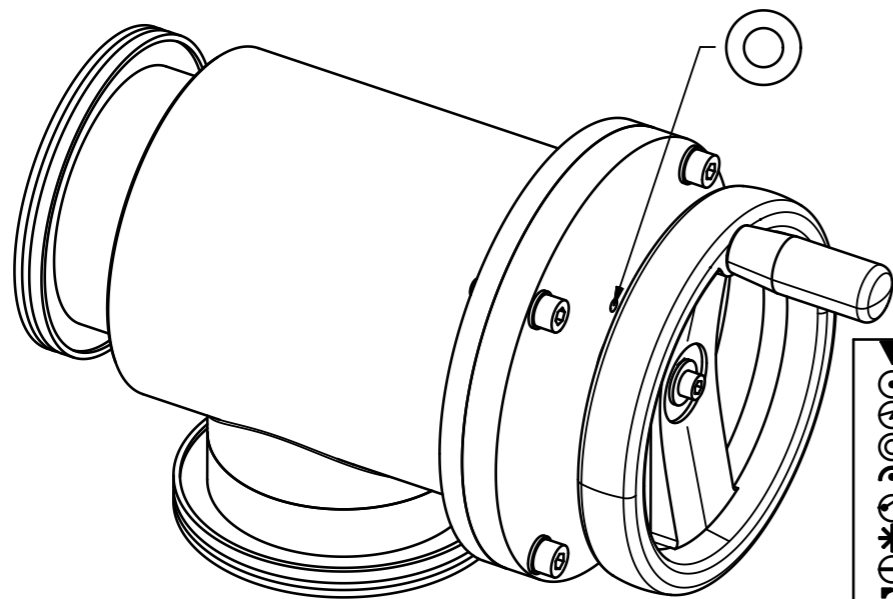
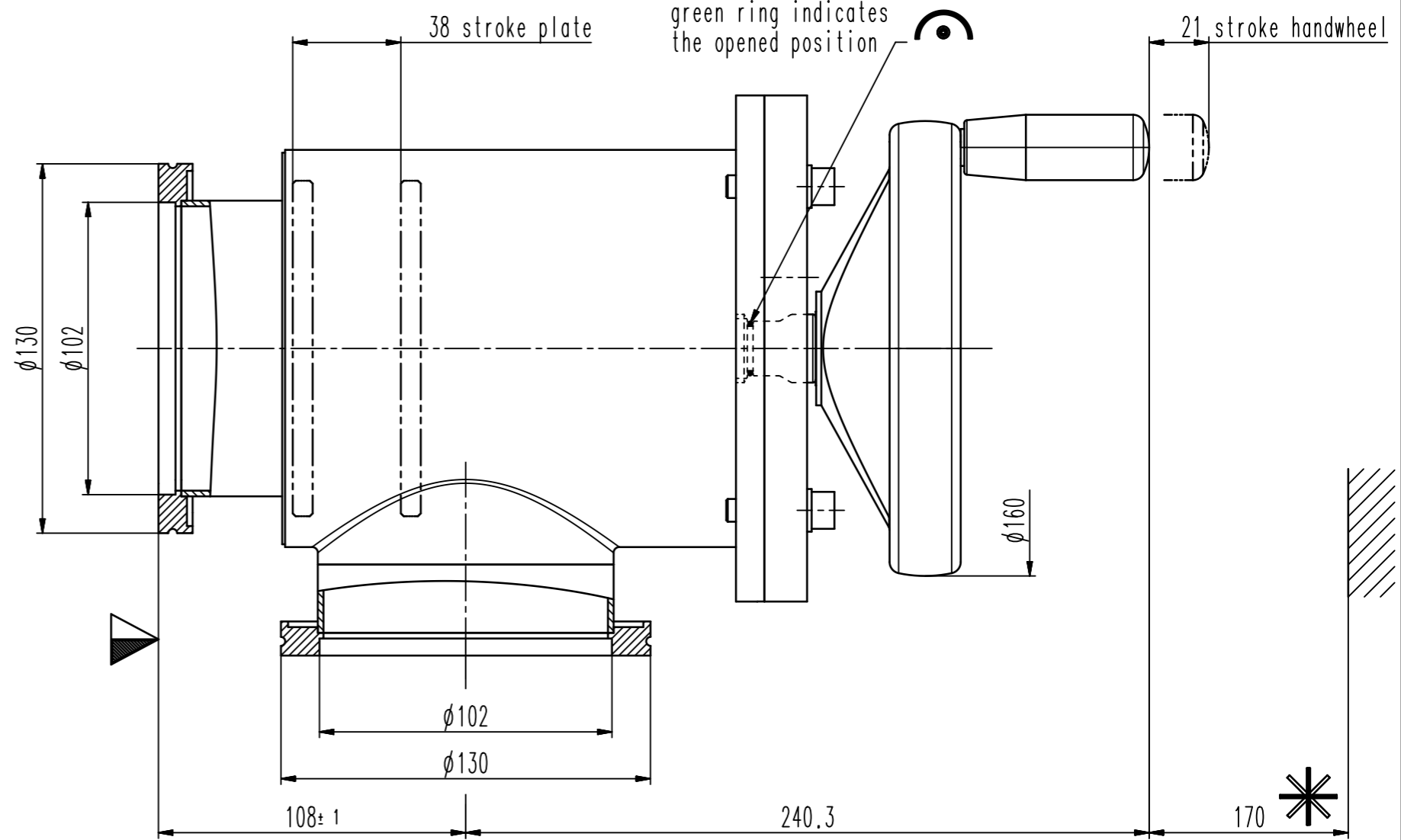
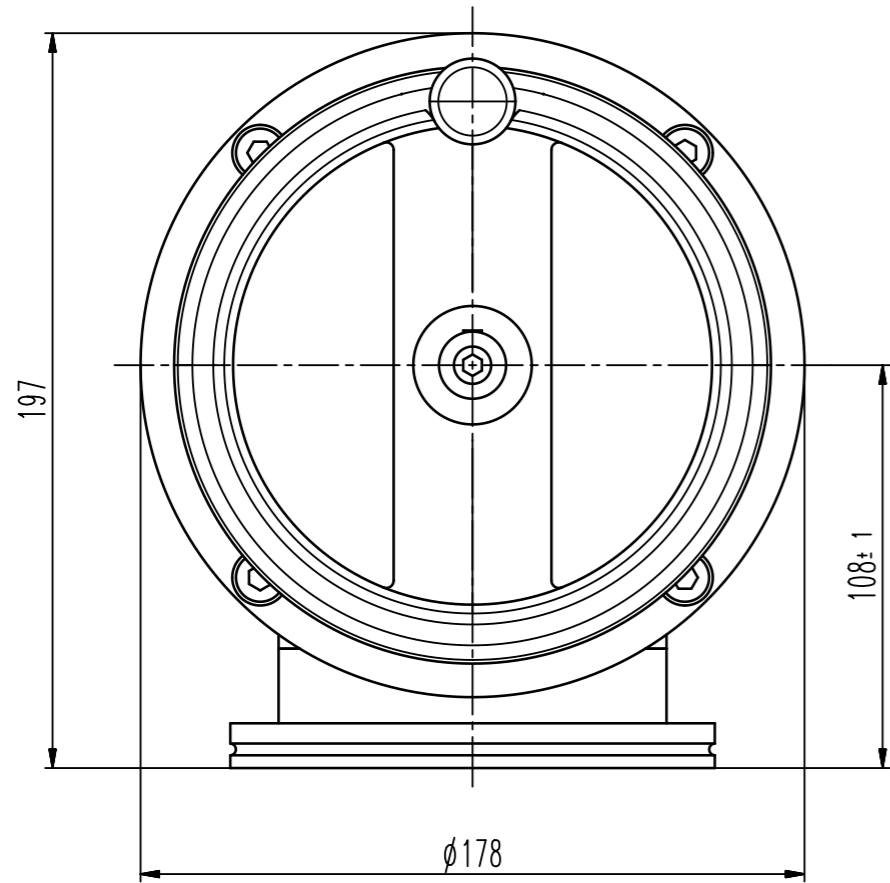


This drawing is the property of VAT.

Revision

Customer number



- ◀ Seat side
- ⊙ Comp. air connection
- ⊙ Electrical connection
- ⊙ Leak detection port
- ⊙ Mech. pos. indication
- ⊙ Position indicator
- ⊙ Required for dismantling
- ⊙ Emergency actuation
- ⊙ For attachment
- ⊙ Bake-out area
- ⊙ Differential pumping port

HV angle valve



VAT Vakuumventile AG
 CH-9469 Haag, Switzerland
 Tel ++41 81 7716161 Fax ++41 81 7714830

Rev.-Date: 17.10.13
 Visa: LIN

Series	264	Ordering No.	26440-QE01-0001
Projection E	DN	Flange	
	100	ISO-K	
Dimensional Drawing	713966	Rev.	