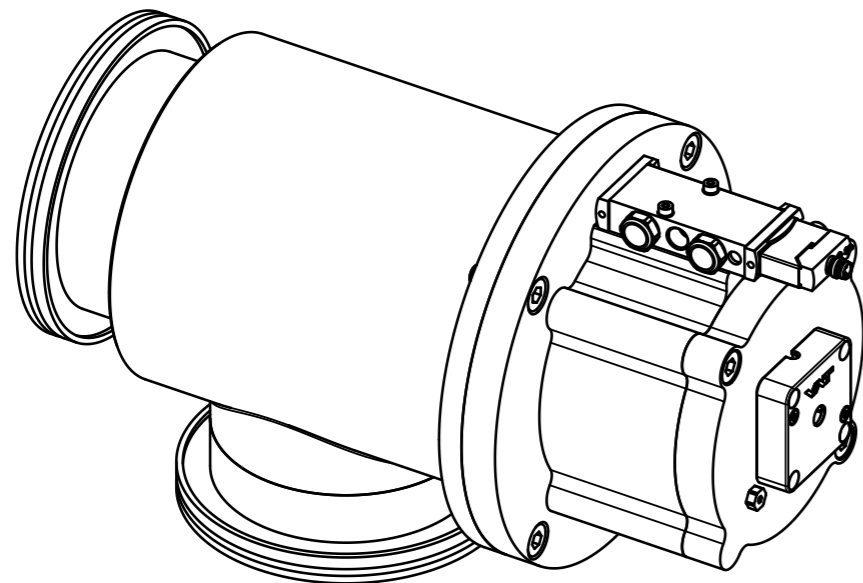
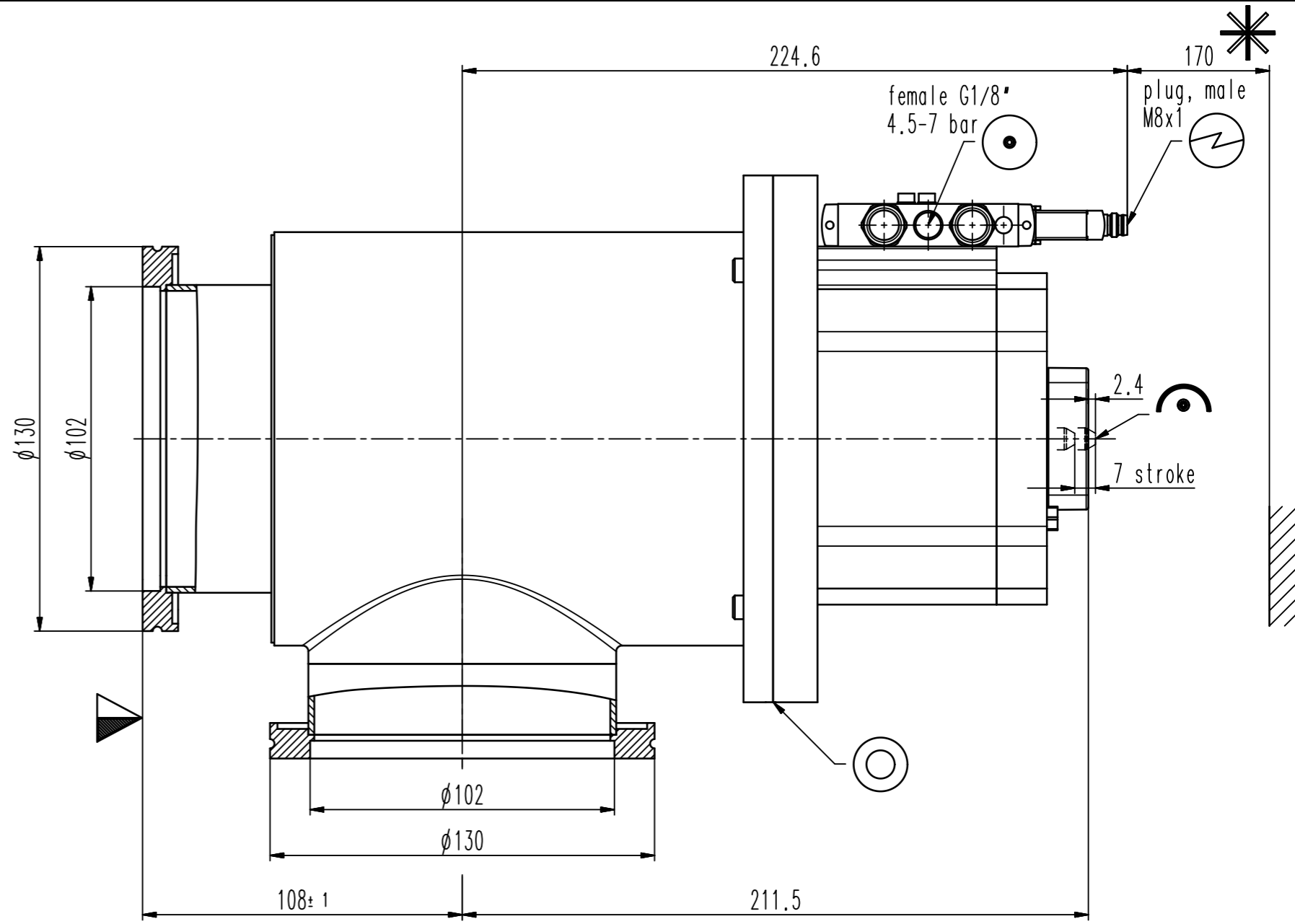
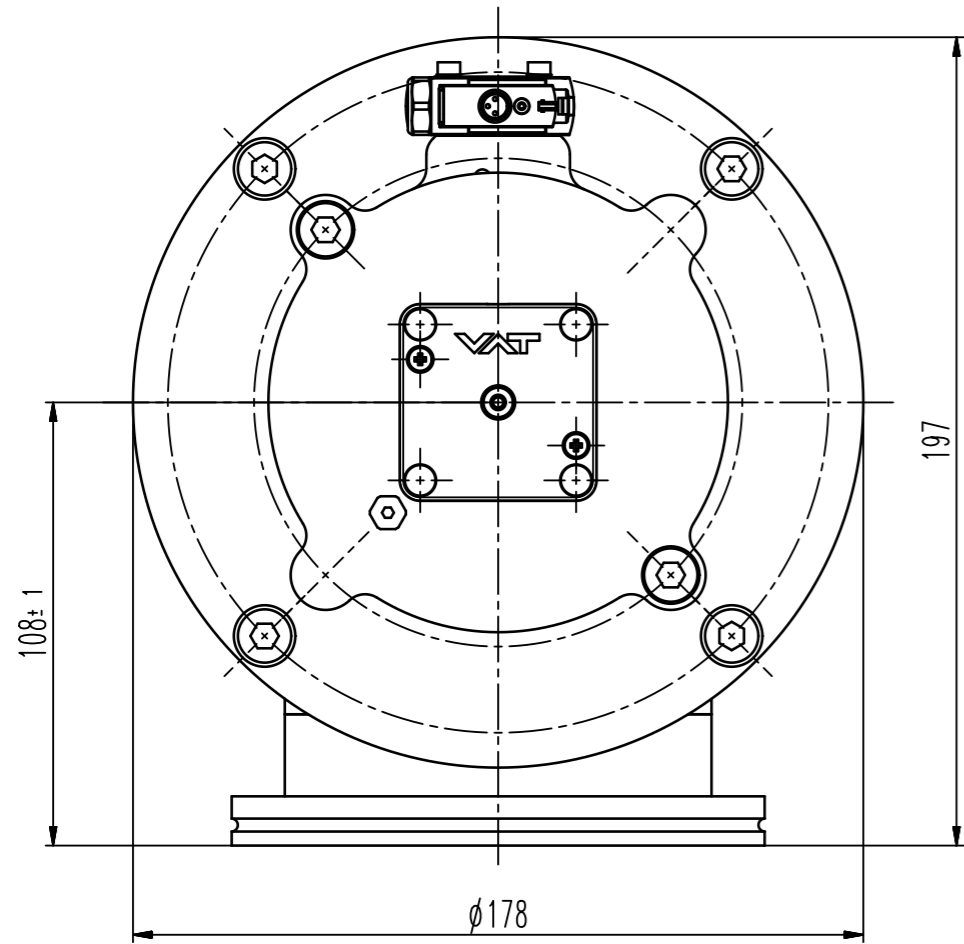


This drawing is the property of VAT.

Revision

Customer number



- ◀ Seat side
- ⊙ Comp. air connection
- ⊕ Electrical connection
- ⊖ Leak detection port
- ⊗ Mech. pos. indication
- ⊘ Position indicator
- ⊙\* Required for dismantling
- ⊙ Emergency actuation
- ⊙ For attachment
- ⊙ Bake-out area
- ⊙ Differential pumping port

### HV angle valve



VAT Vakuumventile AG  
 CH-9469 Haag, Switzerland  
 Tel ++41 81 7716161 Fax ++41 81 7714830

Rev.-Date: 06.08.13  
 Visa: LIN

|                     |        |              |                 |
|---------------------|--------|--------------|-----------------|
| Series              | 264    | Ordering No. | 26440-QE34-0001 |
| Projection E        | DN     | Flange       | ISO-K           |
|                     | 100    |              |                 |
| Dimensional Drawing | 705429 | Rev.         |                 |