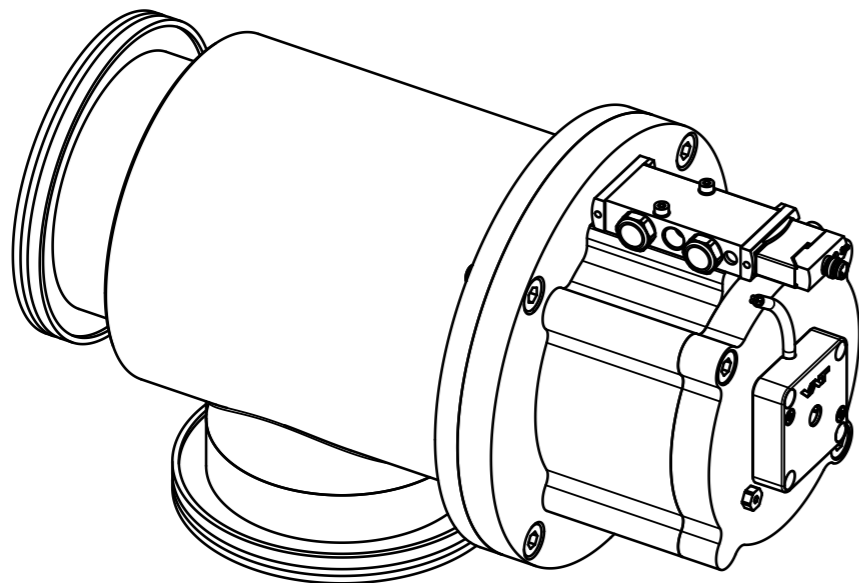
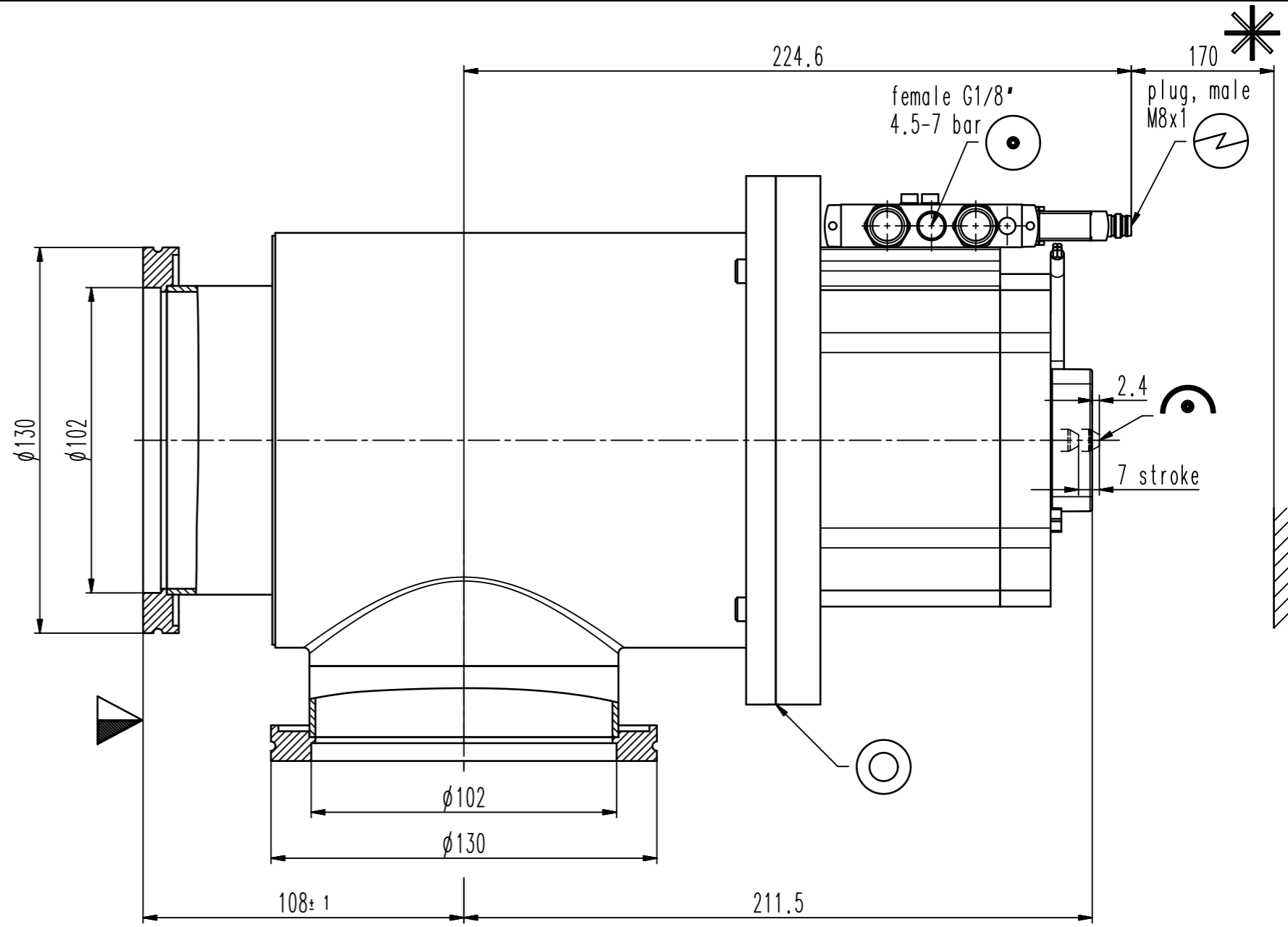
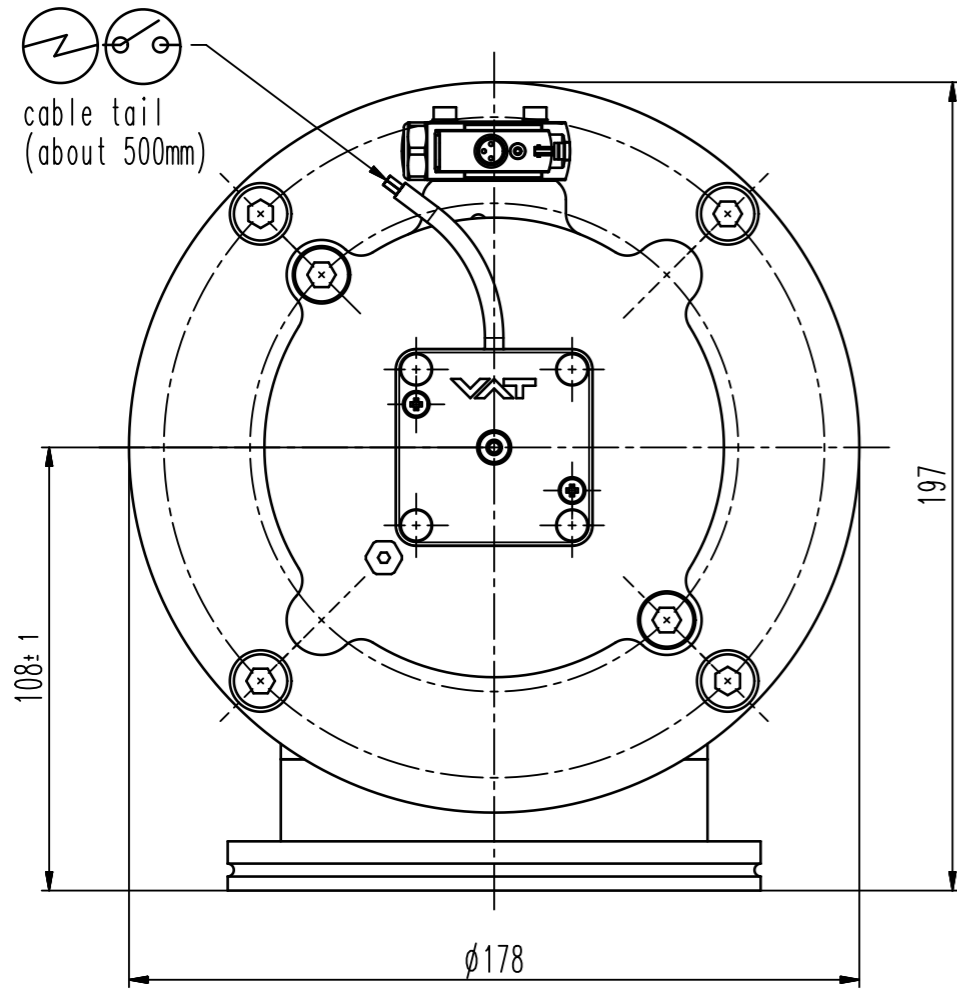


This drawing is the property of VAT.

Revision

Customer number



- ◀ Seat side
- ⊙ Comp. air connection
- ⊕ Electrical connection
- ⊖ Leak detection port
- ⊗ Mech. pos. indication
- ⊘ Position indicator
- ⊙\* Required for dismantling
- ⊙ Emergency actuation
- ⊙ For attachment
- ⊙ Bake-out area
- ⊙ Differential pumping port

### HV angle valve



VAT Vakuumventile AG  
 CH-9469 Haag, Switzerland  
 Tel ++41 81 7716161 Fax ++41 81 7714830

Rev.-Date: 06.08.13  
 Visa: LIN

Series	264	Ordering No.	26440-QE44-0001
Projection E	DN	Flange	ISO-K
	100		
Dimensional Drawing	705424	Rev.	