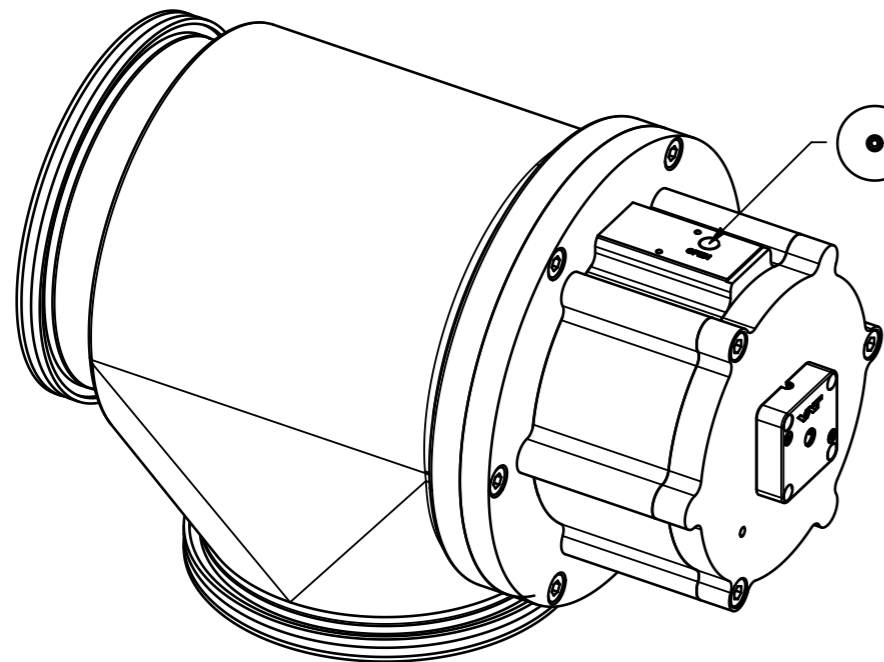
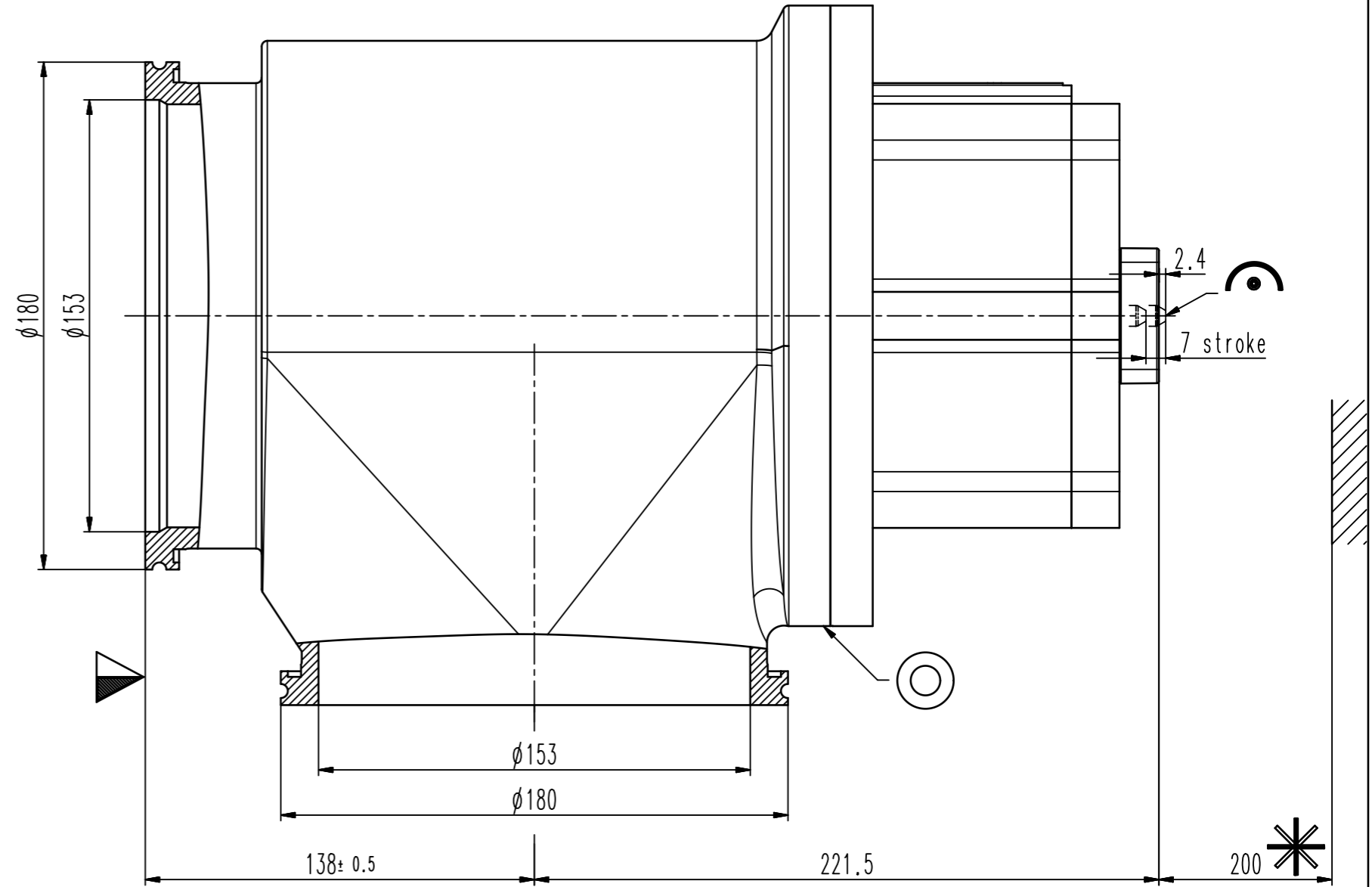
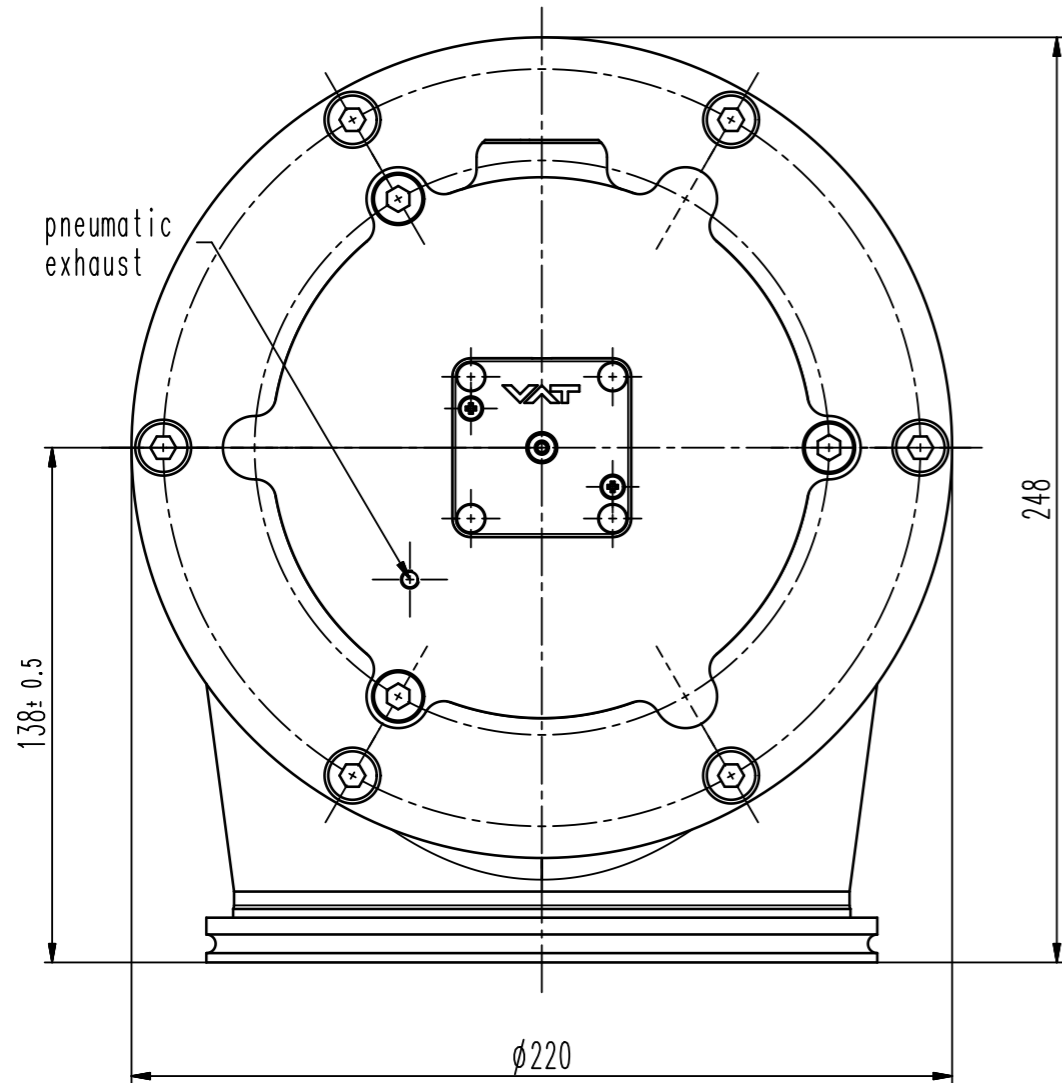


This drawing is the property of VAT.

Revision

Customer number



female
1/8" ISO/NPT
4.5-7 bar

- ▼ Seat side
- Comp. air connection
- Electrical connection
- Leak detection port
- Mech. pos. indication
- Position indicator
- Required for dismantling
- Emergency actuation
- For attachment
- Bake-out area
- Differential pumping port

HV angle valve



VAT Vakuumentile AG
CH-9469 Haag, Switzerland
Tel ++41 81 7716161 Fax ++41 81 7714830

Rev.-Date: 02.02.15
Visa: SLU

Series	264	Ordering No.	26444-QA11-0001
Projection E	DN	Flange	
	160	ISO-K	
Dimensional Drawing	577319	Rev.	A