



VAT Vakuumventile AG  
CH-9469 Haag, Schweiz

## Product data sheet

**HV inline valve, Series 265, DN 16 (ID 5/8")**  
**Ordering No. 26524-KE42-0001**

### Description

|             |  |
|-------------|--|
| Flange      | ISO-KF 16  |
| Actuator    | Pneumatic, single acting with opening spring<br>– with solenoid valve<br>– with position indicator “open” and “closed” |
| Feedthrough | Bellows  |

### Technical data

|   |  |   |
|---|--|---|
| Leak rate   | – Valve body<br>– Valve seat   | $< 1 \cdot 10^{-9}$ mbar ls <sup>-1</sup><br>$< 1 \cdot 10^{-9}$ mbar ls <sup>-1</sup>                  |
| Pressure range  |  | $1 \cdot 10^{-8}$ mbar to 5 bar (abs)   |
| Differential pressure on the plate  | – In opening direction<br>– In closing direction                       | $\leq 2$ bar<br>$\leq 5$ bar  |
| Differential pressure at opening  |  | $\leq 1$ bar  |
| Conductance (molecular flow)  |  | 5 ls <sup>-1</sup>  |
| Closing time  |  | $\leq 0.1$ sec.   |
| Cycles until first service<br>(Tmax 80°C, differential pressure max. 1 bar) |  | 3 million   |
| Admissible Temperature  | – Valve body<br>– Actuator<br>– Solenoid valve<br>– Position indicator | $\leq 150$ °C<br>$\leq 120$ °C<br>$\leq 80$ °C<br>$\leq 80$ °C  |
| Material  | – Valve body<br>– Actuator<br>– Plate<br>– Bellows                     | AISI 304 (1.4301)<br>Aluminum<br>AISI 316L (1.4404)<br>AISI 316L (1.4404, 1.4435), AISI 316 Ti (1.4571) |
| Seal  | – Bonnet O-ring<br>– Plate O-ring<br>– Actuator O-ring                 | FKM (Viton®)<br>FKM (Viton®)<br>FKM (Viton®)  |
| Weight  |  | 0.47 kg / 1.04 lbs  |
| Mounting position   |  | any   |
| Volume of pneumatic actuator  |  | 0.004 l / 0.0001 ft <sup>3</sup>  |
| Compressed air<br>min. – max. overpressure                                  |  | 4 – 8 bar / 58 – 116 psi  |
| Compressed air connection   |  | M5 female (10-32 UNF suitable)  |

|                         |                          |                 |
|-------------------------|--------------------------|-----------------|
| Created by: A. Rietzler | Release date: 2013-09-09 | 1 of 2          |
| Modified by:            | Release date:            | <b>604055EB</b> |



VAT Vakuumventile AG  
CH-9469 Haag, Schweiz

## Product data sheet

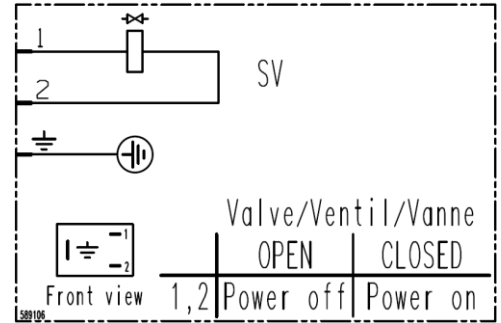
**HV inline valve, Series 265, DN 16 (ID 5/8")**

**Ordering No. 26524-KE42-0001**

### Electrical connections

#### Solenoid valve

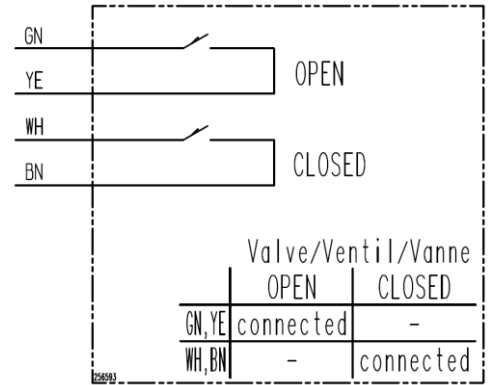
|           |  |
|-----------|--|
| Type      | 3/2-way                                  |
| Voltage   | See solenoid                             |
| Power     | See solenoid                             |
| Connector | Rectangle plug,<br>Type B (DIN standard) |
| Cable     | Ø6 – 8 mm                                |



Wiring diagram

#### Position indicator

|                         |                      |
|-------------------------|----------------------|
| Type                    | Micro switch         |
| Voltage                 | ≤ 50 V AC / DC       |
| Current                 | 5 – 100 mA           |
| Short circuit protected | No                   |
| Connection              | Cable, 4 wires       |
| Cable length            | 500 mm               |
| Cable cross section     | 0.25 mm <sup>2</sup> |



Wiring diagram