



VAT Vakuumventile AG  
CH-9469 Haag, Schweiz

## Product data sheet No. 275146EA

**HV Inline Valve, Series 265, DN 25 (ID 1 ")**

**Ordering No. 26528-KA22 or 26428-KE22**

### Description

|             |   |
|-------------|---|
| Flanges     | ISO-KF25  |
| Actuator    | - pneumatic, single acting with opening spring<br>- without solenoid<br>- with position indicator "open" and "closed" |
| Feedthrough | Bellows   |

### Technical data

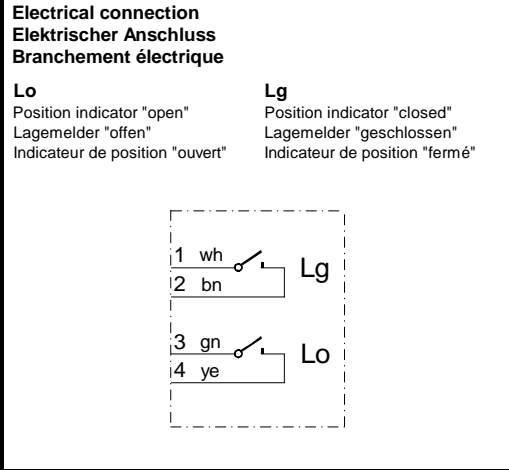
|                                       |  |   |
|---------------------------------------|--|---|
| Leak rate                             | - body & valve seat                            | $< 1 \cdot 10^{-9}$ mbar ls <sup>-1</sup>                           |
| Pressure range                        |  | $1 \cdot 10^{-8}$ mbar to 5 bar, abs                                |
| Differential pressure on the plate:   |  |   |
| - in opening direction                |  | $\leq 2$ bar  |
| - in closing direction                |  | $\leq 5$ bar  |
| Differential pressure at opening      |  | $\leq 1$ bar in either direction                                    |
| Closing time                          |  | $\leq 0,3$ sec.   |
| Admissible temperature                | - valve body, actuator<br>- position indicator | 0°C - 120°C<br>0°C - 80°C (option: 120°C)                           |
| Cycles until first service            |  | 3 million (T <sub>max</sub> 80°C, differential pressure max. 1 bar) |
| Material:                             |  |   |
|                                       | - valve body                                   | <b>26528-KA22</b><br>Aluminum (AlMgSi)                              |
|                                       | - pneumatic actuator                           | Aluminum  |
|                                       | - valve plate                                  | AISI 316L   |
|                                       | - bellows                                      | AISI 316L (1.4404)  |
|                                       | - bonnet & plate seal                          | Viton   |
|                                       | - actuator o-rings                             | Viton   |
|                                       |  | <b>26528-KE22</b><br>Stainless Steel (AISI 304)                     |
|                                       |  | Aluminum  |
|                                       |  | AISI 316L   |
|                                       |  | AISI 316L (1.4404)  |
|                                       |  | Viton   |
|                                       |  | Viton   |
| Mounting position                     |  | any   |
| Volume of air cylinder                |  | 0,011 l / 0,0004 ft <sup>3</sup>                                    |
| Compressed air pressure for pneumatic |  | 4 - 8 bar / 60 - 115 psi  |
| Compressed air connection             |  | M5 female (option others)   |
| Position indicator: contact rating    |  |   |
|                                       | - Voltage                                      | $\leq 50$ V AC / DC   |
|                                       | - Current                                      | $\leq 0.1$ A  |
|                                       | - Power  | $\leq 1$ VA / W   |

|                       |                          |                 |
|-----------------------|--------------------------|-----------------|
| Created by: A. Gruber | Release date: 2008-04-09 | Page 1 of 2     |
| Modified by::         | Release date:            | <b>275146EA</b> |



VAT Vakuumventile AG  
CH-9469 Haag, Schweiz

**Product data sheet No. 275146EA**  
**HV Inline Valve, Series 265, DN 25 (ID 1 ")**  
**Ordering No. 26528-KA22 or 26428-KE22**



|                       |                          |                 |
|-----------------------|--------------------------|-----------------|
| Created by: A. Gruber | Release date: 2008-04-09 | Page 2 of 2     |
| Modified by::         | Release date:            | <b>275146EA</b> |