



VAT Vakuumventile AG  
CH-9469 Haag, Schweiz

## Product data sheet

**HV inline valve, Series 265, DN 25 (ID 1")**  
**Ordering No. 26528-KA32-0001**

### Description

Flange	ISO-KF 25
Actuator	Pneumatic, single acting with opening spring – with solenoid valve – without position indicator
Feedthrough	Bellows

### Technical data

Leak rate	– Valve body – Valve seat	$< 1 \cdot 10^{-9}$ mbar ls <sup>-1</sup> $< 1 \cdot 10^{-9}$ mbar ls <sup>-1</sup>
Pressure range		$1 \cdot 10^{-8}$ mbar to 5 bar (abs)
Differential pressure on the plate	– In opening direction – In closing direction	$\leq 2$ bar $\leq 5$ bar
Differential pressure at opening		$\leq 1$ bar
Conductance (molecular flow)		14 ls <sup>-1</sup>
Closing time		$\leq 0.15$ sec.
Cycles until first service (Tmax 80°C, differential pressure max. 1 bar)		3 million
Admissible Temperature	– Valve body – Actuator – Solenoid valve	$\leq 150$ °C $\leq 120$ °C $\leq 80$ °C
Material	– Valve body – Actuator – Plate – Bellows	Aluminum (EN AW-6060 T5) Aluminum AISI 316L (1.4404) AISI 316L (1.4404, 1.4435), AISI 316 Ti (1.4571)
Seal	– Bonnet O-ring – Plate O-ring – Actuator O-ring	FKM (Viton®) FKM (Viton®) FKM (Viton®)
Weight		0.7 kg / 1.54 lbs
Mounting position		any
Volume of pneumatic actuator		0.011 l / 0.0004 ft <sup>3</sup>
Compressed air min. – max. overpressure		4 – 8 bar / 58 – 116 psi
Compressed air connection		M5 female (10-32 UNF suitable)

Created by: A. Rietzler	Release date: 2013-09-10	1 of 2
Modified by:	Release date:	<b>603113EB</b>



VAT Vakuumventile AG  
CH-9469 Haag, Schweiz

## Product data sheet

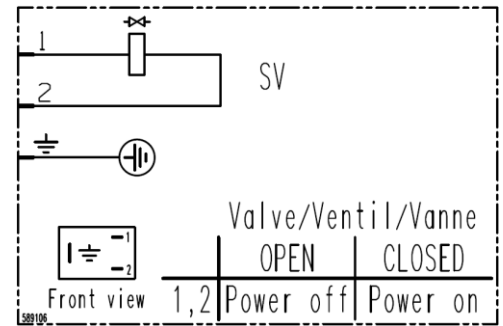
**HV inline valve, Series 265, DN 25 (ID 1")**

**Ordering No. 26528-KA32-0001**

### Electrical connections

#### Solenoid valve

Type	3/2-way
Voltage	See solenoid
Power	See solenoid
Connector	Rectangle plug, Type B (DIN standard)
Cable	Ø6 – 8 mm



Wiring diagram

Created by: A. Rietzler	Release date: 2013-09-10	2 of 2
Modified by:	Release date:	<b>603113EB</b>