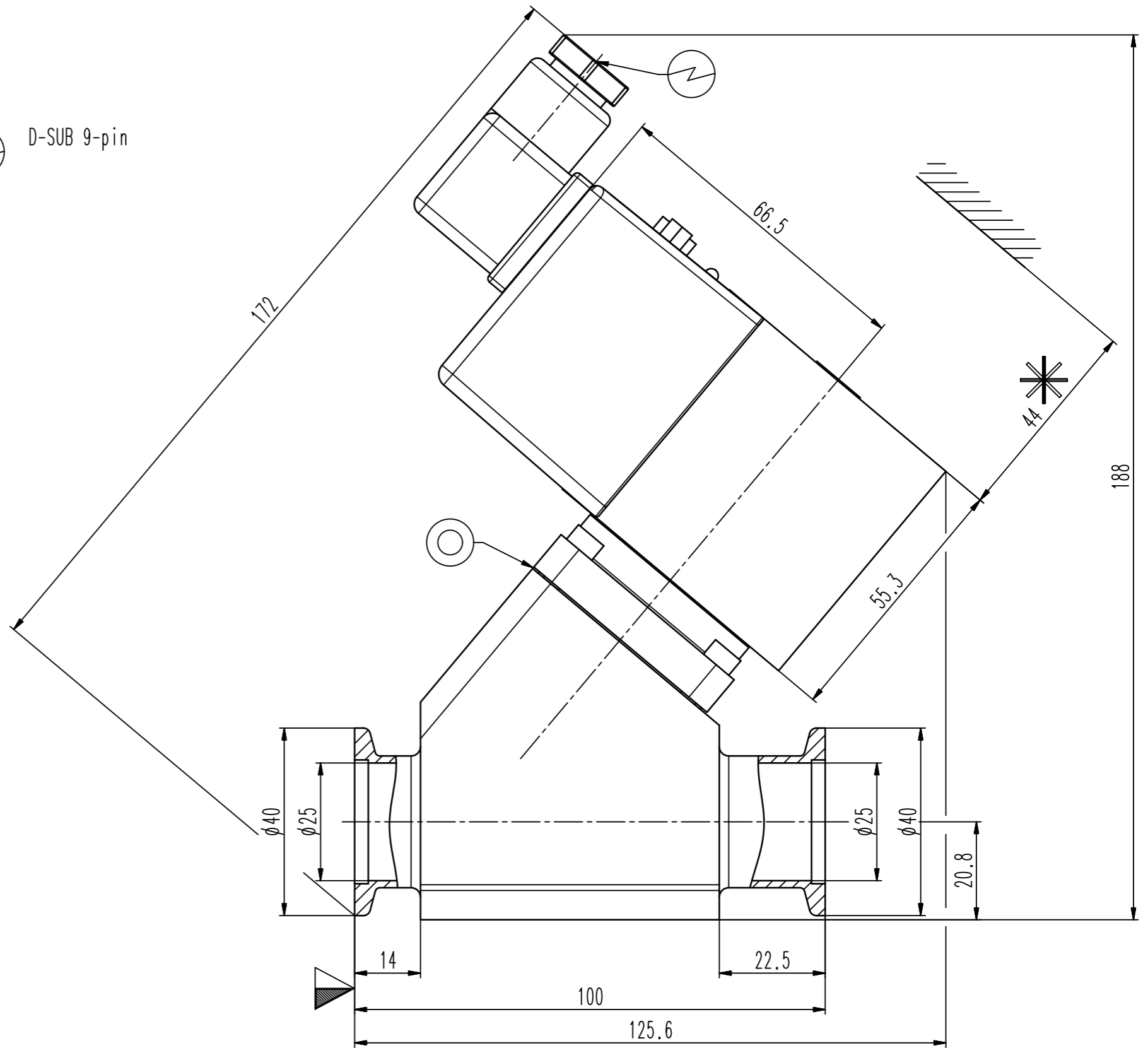
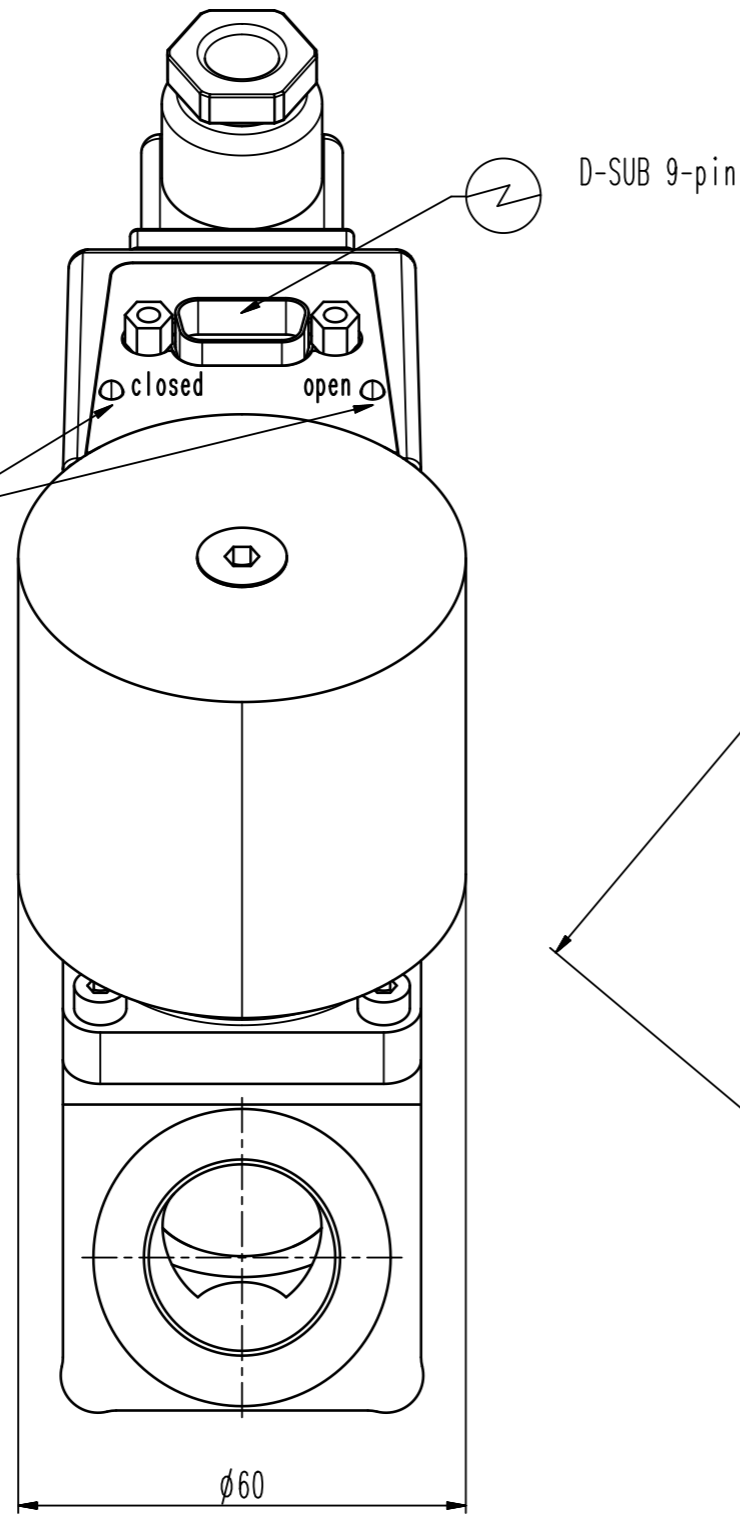


optical pos. indicator
(open = green)
(closed = yellow)



- ▼ Seat side
- ⊙ Comp. air connection
- ⊙ Electrical connection
- ⊙ Leak detection port
- ⊙ Mech. pos. indication
- ⊙ Position indicator
- ⊙ Required for dismantling
- ⊙ Emergency actuation
- ⊙ For attachment
- ⊙ Bake-out area
- ⊙ Differential pumping port

HV inline valve



VAT Vakuumventile AG
CH-9469 Haag, Switzerland
Tel ++41 81 7716161 Fax ++41 81 7714830

Rev.-Date: 12.09.13
Visa: WARO

Series	265	Ordering No.	26528-KA61-0003
Projection E	DN	Flange	
	25	ISO-KF	
Dimensional Drawing	709421	Rev.	