



VAT Vakuumventile AG  
CH-9469 Haag, Schweiz

## Product data sheet

### HV inline valve

Series 265, DN 25 (ID 1")

Ordering No. 26528-KE41-0003

## Description

Flange	ISO-KF 25
Actuator	Pneumatic, single acting with closing spring – with solenoid valve – with position indicator “open” and “closed”
Feedthrough	Bellows

## Technical data

Leak rate	– Valve body – Valve seat	$< 1 \cdot 10^{-9}$ mbar ls <sup>-1</sup> $< 1 \cdot 10^{-9}$ mbar ls <sup>-1</sup>
Pressure range		$1 \cdot 10^{-8}$ mbar to 5 bar (abs)
Differential pressure on the plate	– In opening direction – In closing direction	$\leq 2$ bar $\leq 5$ bar
Differential pressure at opening		$\leq 1$ bar
Conductance (molecular flow)		5 ls <sup>-1</sup>
Closing time		$\leq 0.1$ sec.
Cycles until first service (T <sub>max</sub> 80 °C, under clean conditions)		3 million
Temperature (Maximum values: depending on operating conditions and sealing materials)	– Valve body – Actuator – Solenoid valve – Position indicator	$\leq 150$ °C $\leq 120$ °C $\leq 80$ °C $\leq 80$ °C
Material	– Valve body – Actuator – Plate – Bellows	AISI 304 (1.4301) Aluminum AISI 316L (1.4404) AISI 316L (1.4404, 1.4435) AISI 316 Ti (1.4571)
Seal	– Bonnet O-ring – Plate O-ring – Actuator O-ring	FKM (Viton®) FKM (Viton®) FKM (Viton®)
Weight		0.60 kg / 1.32 lbs
Mounting position		any
Volume of pneumatic actuator		0.011 l / 0.0004 ft <sup>3</sup>
Compressed air min. – max. overpressure		4 – 8 bar / 58 – 116 psi
Compressed air connection		M5 female (10-32 UNF suitable)

Created by: WARO	Release date: 07.05.2014	1/2
Modified by:	Release date:	<b>748600EA</b>



VAT Vakuumventile AG  
CH-9469 Haag, Schweiz

## Product data sheet

### HV inline valve

**Series 265, DN 25 (ID 1")**

**Ordering No. 26528-KE41-0003**

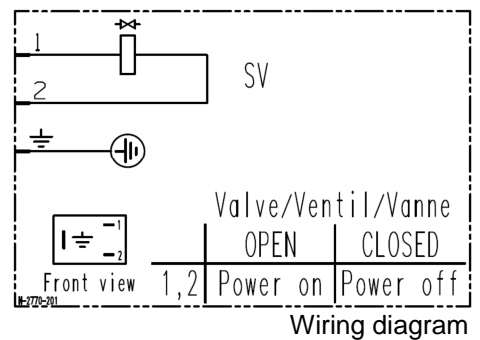
Behavior in case of compressed air pressure drop	- Valve closed	valve remains closed and leaktight
	- Valve opened	valve closes leaktight
	- During actuation	valve closes leaktight

Behavior in case of power failure	- Valve closed	valve remains closed and leaktight
	- Valve opened	valve closes leaktight
	- During actuation	valve closes leaktight

## Electrical connections

### Solenoid valve

Type	3/2-way
Voltage	See solenoid
Power	See solenoid
Connector	Rectangle plug, Type B (DIN standard)
Cable	Ø6 – 8 mm



### Position indicator

Type	Micro switch
Voltage	≤ 50 V AC / DC
Current	5 – 100 mA
Short circuit protected	No
Connection	Cable, 4 wires
Cable length	500 mm
Cable cross section	0.25 mm <sup>2</sup>

